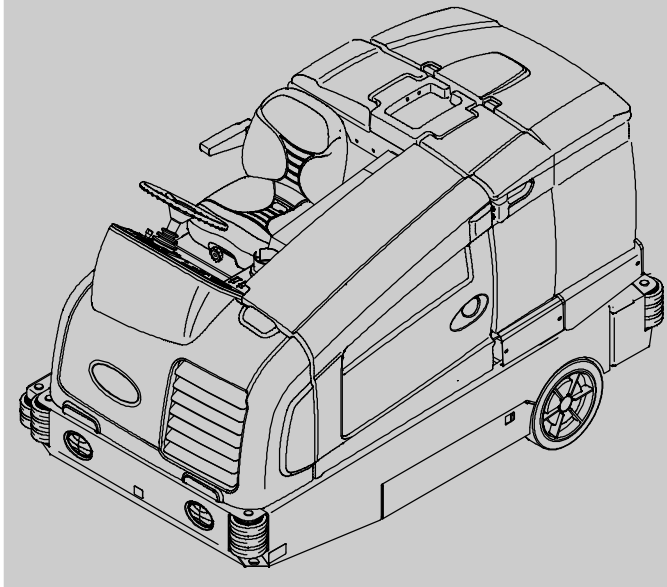
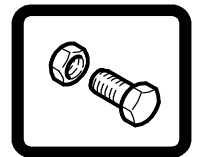




# T20

(Gas/LPG)

## Rider Scrubber Parts Manual



**The Safe Scrubbing Alternative®**

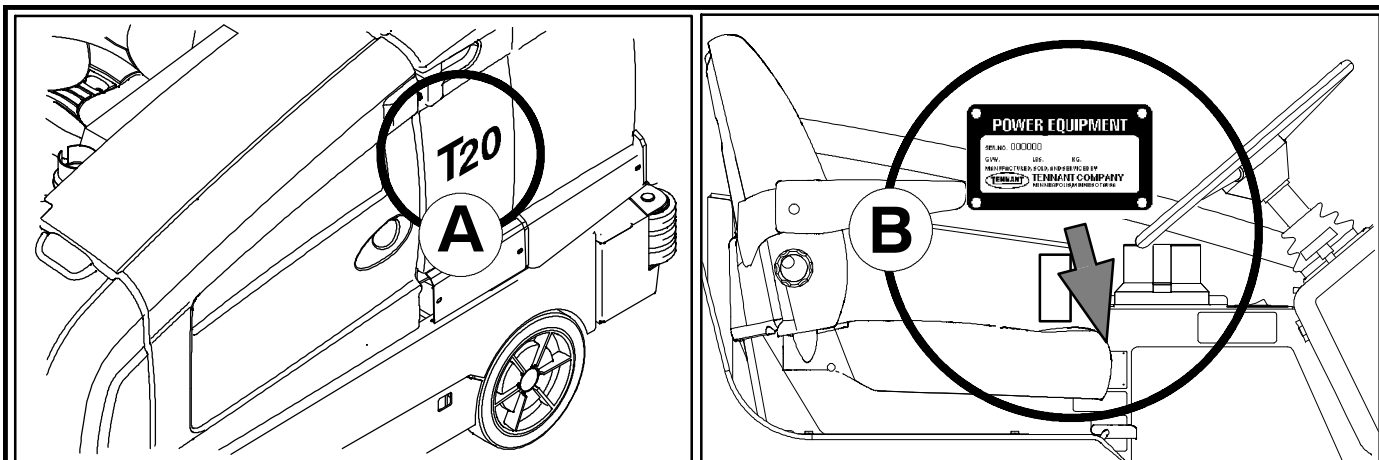
**Hygenic® Fully Cleanable Tanks**  
**FloorSmart™ Integrated Cleaning System**  
**ES® Extended Scrub System**

**North America / International**

[www.tennantco.com](http://www.tennantco.com)

331471  
Rev. 05 (5-2009)





Ref	Part No.	Serial Number	Description	Qty.
1	82681	(000000- )	Bracket W/dt, Lpg Mount	1
2	63810	(000000- )	Latch Assy, Lpg Tank Mtg, W/Nut	4
3	51839	(000000- )	Nut Adjustable, Lpg Tank Mtg	2
4	49263	(000000- )	Tie, Cable	3
5	82556	(000000-001039)	Bracket, Vaporizer	1
6	54930	(000000- )	Vaporizer, LPG	1

**HOW TO ORDER PARTS - See diagram above**

Only use TENNANT Company supplied or equivalent parts. Parts and supplies may be ordered online, by phone, by fax or by mail.

Follow the steps below to ensure prompt delivery.

1. **(A)** Identify the machine model.
2. **(B)** Identify the machine serial number from the data plate.
3. **(C)** Ensure the proper serial number is used from the parts list.
4. Identify the part number and quantity. Do not order by page or reference numbers.
5. Provide your name, company name, customer ID number, billing and shipping address, phone number and purchase order number.
6. Provide detail shipping instructions.

**(D)** ▽ - Identifies an assembly  
 ▲ - Identifies parts included in assembly

**EN**

**Please fill out at time of installation for future reference.**

Model No. - \_\_\_\_\_

Serial No. - \_\_\_\_\_

Machine Options - \_\_\_\_\_

Sales Rep. - \_\_\_\_\_

Sales Rep. phone no. - \_\_\_\_\_

Customer ID Number - \_\_\_\_\_

Installation Date - \_\_\_\_\_

**Tennant Company**  
 PO Box 1452  
 Minneapolis, MN 55440  
 Phone: (800) 553-8033 or (763) 513-2850  
 www.tennantco.com

Thermo-Sentry, Touch-N-Go, 1-STEP, Clean-Wedge, Variable Drain Valve, EasyOpen, Grip-N-Go, MaxPro<sup>2</sup>, Dura-Track, SmartRelease, InstantAccess, Duramer, FaST-PAK, ErgoSpace and Lower Total Cost of Ownership are US registered and unregistered trademarks of Tennant Company.

Specifications and parts are subject to change without notice.

Original Information, copyright © 2006 - 2009 TENNANT Company, Printed in U.S.A.

<b>CN</b>	<p><b>如何订购部件 - 参见下表</b></p> <p>仅使用 TENNANT 公司提供的或同等部件。部件和供应可以在线订购，通过电话、传真或邮件订购。请遵循下面的步骤确保及时交付。</p> <ol style="list-style-type: none"> <li>1. <b>(A)</b> 确定机器型号。</li> <li>2. <b>(B)</b> 从数据标签确定机器序列号。</li> <li>3. <b>(C)</b> 确保使用部件列表中的正确序列号。</li> <li>4. 确定部件号和数量。 不要按页面或参考编号订购。</li> <li>5. 提供您的姓名、公司名称、客户 ID 号、付帐和送货地址、电话号码和采购单编号。</li> <li>6. 提供详细的送货说明。</li> </ol> <hr/> <p><b>(D)</b> ▽ - 确定组件 ▲ - 确定组件中包含的组件</p>	<p><b>请在安装时填写供未来参考。</b></p> <p>型号 - _____</p> <p>序列号 - _____</p> <p>机器选项 - _____</p> <p>销售代表 - _____</p> <p>销售代表电话号码 - _____</p> <p>客户 ID 编号 - _____</p> <p>安装日期 - _____</p>
-----------	--	--

<b>ES</b>	<p><b>CÓMO SOLICITAR PIEZAS - Consulte el diagrama anterior.</b></p> <p>Utilice sólo las piezas suministradas por TENNANT Company o piezas equivalentes. Puede solicitar las piezas a través de internet, por teléfono, por fax o por correo.</p> <p>Siga los siguientes pasos para que la entrega sea rápida.</p> <ol style="list-style-type: none"> <li>1. <b>(A)</b> Indique el modelo de máquina.</li> <li>2. <b>(B)</b> Indique el número de serie de la etiqueta de datos.</li> <li>3. <b>(C)</b> Asegúrese de que indica el número de serie correcto de la lista de piezas.</li> <li>4. Indique la cantidad y el número de la pieza. No realice el pedido indicando el número de página o el de referencia.</li> <li>5. Incluya su nombre, el nombre de la empresa, el ID de cliente, las direcciones de envío y facturación, el número de teléfono y el número del pedido de compra.</li> <li>6. Facilite instrucciones de envío.</li> </ol> <hr/> <p><b>(D)</b> ▽ - identifica un conjunto ▲ - identifica piezas de un conjunto</p>	<p><b>Rellene estos datos cuando realice la instalación para utilizarlos como referencia en el futuro.</b></p> <p>Nº modelo - _____</p> <p>Nº serie - _____</p> <p>Opciones de la máquina - _____</p> <p>Vendedor - _____</p> <p>Nº teléfono vendedor - _____</p> <p>Nº cliente - _____</p> <p>Fecha de instalación - _____</p>
-----------	--	---

<b>FR</b>	<p><b>COMMENT COMMANDER DES PIÈCES DÉTACHÉES - Voir le schéma ci-dessus.</b></p> <p>Utilisez uniquement des pièces fournies par la société TENNANT ou équivalentes. Les pièces et fournitures peuvent être commandées en ligne, par téléphone, fax, ou par courrier.</p> <p>Suivez les étapes ci-dessous pour assurer une livraison rapide.</p> <ol style="list-style-type: none"> <li>1. <b>(A)</b> Identifiez le modèle de la machine.</li> <li>2. <b>(B)</b> Identifiez le numéro de série de la machine, à partir de l'étiquette signalétique.</li> <li>3. <b>(C)</b> Assurez-vous que le numéro de série correct est utilisé à partir de la liste de pièces détachées.</li> <li>4. Identifiez le numéro de pièce et la quantité. Ne commandez pas par page ou numéros de référence.</li> <li>5. Fournissez votre nom, le nom de votre société, votre numéro d'identification de client, l'adresse de facturation et d'expédition, le numéro de téléphone et le numéro du bon de commande.</li> <li>6. Fournissez des instructions d'expédition détaillées.</li> </ol> <hr/> <p><b>(D)</b> ▽ - identifie un assemblage ▲ - identifie les pièces composant l'assemblage</p>	<p><b>A remplir au moment de l'installation à titre de référence.</b></p> <p>Nº du modèle - _____</p> <p>Nº de série - _____</p> <p>Options de la machine - _____</p> <p>Agent commercial - _____</p> <p>Nº tél. de l'agent commercial - _____</p> <p>Numéro d'identification client - _____</p> <p>Date d'installation - _____</p>
-----------	--	---

<b>JP</b>	<p><b>パーツの発注方法 ? 上記の図を参照してください</b></p> <p>TENNANT社製のパーツまたは同等品のみをお使いください。パーツやサプライ品のご注文は、オンライン、電話、FAX、または手紙でお願いいたします。確実にお届けできるように、以下の情報お知らせください。</p> <ol style="list-style-type: none"> <li>1. <b>(A)</b> 製品のモデル名をお知らせください。</li> <li>2. <b>(B)</b> 製品のデータラベルに印刷されているシリアル番号をお知らせください。</li> <li>3. <b>(G)</b> パーツリストを参照して、シリアル番号が正しいかご確認ください。</li> <li>4. パーツ番号と数量をお知らせください。マニュアル/カタログのページ番号や参照番号でのご注文はご遠慮ください。</li> <li>5. お客様のお名前、会社名、顧客ID番号、請求/発送先住所、電話番号、注文書番号をお知らせください。</li> <li>6. 発送に関するご希望があれば、明記してください。</li> </ol> <hr/> <p><b>(D)</b> ▽ - アセンブリを示します ▲ - アセンブリに含まれるパーツを示します</p>	<p><b>後日確認できるように、設置時に記入してください。</b></p> <p>モデルNo. - _____</p> <p>シリアルNo. - _____</p> <p>製品のオプション - _____</p> <p>販売代理店 - _____</p> <p>販売代理店の電話番号 - _____</p> <p>顧客ID番号 - _____</p> <p>設置日 - _____</p>
-----------	---	---





# GENERAL RECOMMENDED MAINTENANCE

## General Recommended Maintenance Items

Ref.	Part No.	Serial Number	Description	Qty.
▽	9002553	(000000-	) Maint Kit, Gas, 400hr[M20/T20]	1
▲	372575	(000000-	) Sparkplug [Gm ]	4
▲	369746	(000000-	) Element, Fltr, Air [Dn]	1
▲	372440	(000000-	) Filter, Fuel [Gm 1.6l/3.0l]	1
▽	9002554	(000000-	) Maint Kit, Lpg, 400hr[M20/T20]	1
▲	372575	(000000-	) Sparkplug [Gm ]	4
▲	369746	(000000-	) Element, Fltr, Air [Dn]	1
▲	372615	(000000-	) Filter Kit, Fuelock, Lpg	1
▽	9002555	(000000-	) Maint Kit, Gas, 800hr[M20/T20]	1
▲	31613	(000000-	) Strainer, Hyd, 25 Gpm 100 Mesh	1
▲	25122	(000000-	) Cap, Breather, Hyd, 2.4 Ds	1
▲	1021579	(000000-	) Filter Assy [Pt4 936498]	1
▲	372440	(000000-	) Filter, Fuel [Gm 1.6l/3.0l]	1
▽	9002613	(000000-	) Maint Kit, Lpg, 800hr[M20/T20]	1
▲	31613	(000000-	) Strainer, Hyd, 25 Gpm 100 Mesh	1
▲	25122	(000000-	) Cap, Breather, Hyd, 2.4 Ds	1
▲	1021579	(000000-	) Filter Assy [Pt4 936498]	1
▲	372615	(000000-	) Filter Kit, Fuelock, Lpg	1
	371972	(000000-	) Element, Fltr, Oil, Eng, Spin-On	1
	1027290	(000000-	) Filter, Soltn, 20mesh, Pm12 3.1d 02.6l	1
	87866	(000000-	) Key, Ignition [Set Of 2]	1
	10137	(000000-	) Battery, Wet, 12vdc 0475cca	1
	20833	(000000-	) Wheel, 3.0d 1.38w 0.50b	2
	1033644	(000000-	) Belt, Ribbed, 38.5l	1
	1024586	(000000-	) Skirt, Neo, .06, 06.85w 27.95l, 08 Hole	2
	1019295	(000000-	) Skirt, Neo, .18, 10.37w 27.95l, 12 H&S	2
	1020166	(000000-	) Skirt, Neo, .06, 12.00w 45.88l, 07 Hole	1
	1028433	(000000-	) Skirt, Front, Disk Head	1
	1017868	(000000-	) Blade, Sqge, Front [Linard]	1
	1031331	(000000-	) Blade, Sqge, Rear, Linatex	1
	83874	(000000-	) Gasket, Sqge	2
	1031011	(000000-	) Blade, Sqge, 37.08l Linatex	2
	1027719	(000000-	) Blade, Sqge, Front, 49.59l Pyu	1
	1031945	(000000-	) Blade, Sqge, Rear, 53.78L Pyu	1
	1031823	(000000-	) Blade, Sqge, .38 3.55w 038.3l, Ure	2
	1027716	(000000-	) Squeegee Assy, Sba, Ure	1
	1025005	(000000-	) Squeegee Assy, Sba, Linatex	1
	84597	(000000-	) Tire Assy, Solid, 18.0x6.0 4.5bc/5bolt	1
	16411	(000000-	) Paint, Airdry, Off-White, 12oz	1
	16412	(000000-	) Paint, Airdry, Teal, 12oz, Solid	1
	377540	(000000-	) Paint, Airdry, Blk, 12oz	1
	377538	(000000-	) Paint, Airdry, Gray, 12oz [Enamel]	1
	377537	(000000-	) Paint, Airdry, Iron Gray, 12oz[Pwdr Coat]	1

## **GENERAL RECOMMENDED MAINTENANCE**

---

**SECTION 2**

<b>Contents</b>	<b>Page</b>
Fig. 1 - Brushes, Replacement, Scrub Head	2-2
Fig. 2 - Brushes, Replacement, Side Brush	2-4
Fig. 3 - Main Frame Group	2-6
Fig. 4 - Operator Station Group	2-8
Fig. 5 - Operator Station Insulation Group	2-10
Fig. 6 - Instrument Panel Group	2-12
Fig. 7 - Seat Group	2-14
Fig. 8 - Steering Group	2-16
Fig. 9 - Front Cover Group	2-18
Fig. 10 - Engine Cover Group	2-20
Fig. 11 - Engine and Mount Group	2-22
Fig. 12 - Engine EFI Group, Gasoline (000000-001499)	2-24
Fig. 13 - Engine EFI Group, Gasoline (001500- )	2-26
Fig. 14 - Engine EFI Group, LPG (000000-001499)	2-28
Fig. 15 - Engine EFI Group, LPG (001500- )	2-32
Fig. 16 - Engine Vaporizer Group, LPG (001500- )	2-34
Fig. 17 - Engine Fuel Tank Group, Gasoline (000000-001499)	2-36
Fig. 18 - Engine Fuel Tank Group, Gasoline (001500- )	2-38
Fig. 19 - Engine Fuel Tank Group, LPG	2-40
Fig. 20 - Engine Air Cleaner Group, Gasoline (000000-001499)	2-42
Fig. 21 - Engine Air Cleaner Group, Gasoline (001500- )	2-44
Fig. 22 - Engine Air Cleaner Group, LPG (000000-001499)	2-46
Fig. 23 - Engine Air Cleaner Group, LPG (001500- )	2-48
Fig. 24 - Engine Alternator and Fan Group	2-50
Fig. 25 - Engine Muffler Group (000000-001499)	2-52
Fig. 26 - Engine Muffler Group (001500- )	2-54
Fig. 27 - Engine Radiator Group	2-56
Fig. 28 - Battery and Electrical Group	2-60
Fig. 29 - Wheel Group, Front Drive	2-62
Fig. 30 - Wheel Group, Rear	2-64
Fig. 31 - Brake Pedal Linkage Group	2-66
Fig. 32 - Directional Pedal and Linkage Group	2-68
Fig. 33 - Cylindrical Scrub Brush Drive Group, Left Side	2-70
Fig. 34 - Cylindrical Scrub Brush Drive Group, Right Side	2-72
Fig. 35 - Cylindrical Scrub Brush Head Lift Group	2-74
Fig. 36 - Cylindrical Brush Head Skirt Group	2-76

<b>Contents</b>	<b>Page</b>
Fig. 37 - Disk Scrub Head Drive Motor Group	2-78
Fig. 38 - Disk Scrub Head Lift Group	2-80
Fig. 39 - Rear Squeegee Lift Group	2-82
Fig. 40 - Cylindrical Scrub Head Debris Tray Mount Group	2-84
Fig. 41 - Cylindrical Scrub Head Debris Tray Group	2-86
Fig. 42 - Squeegee Group, Rear	2-88
Fig. 43 - Squeegee Linkage Group, Rear	2-90
Fig. 44 - Cylindrical Scrub Head Squeegee Group, Right Side	2-92
Fig. 45 - Squeegee Lift Group, Right Side	2-94
Fig. 46 - Cylindrical Scrub Head Squeegee Group, Left Side	2-96
Fig. 47 - Squeegee Lift Group, Left Side	2-98
Fig. 48 - Solution Tank Group	2-100
Fig. 49 - Solution Tank Drain Group	2-104
Fig. 50 - Solution Control Group, Cylindrical Scrub Head	2-106
Fig. 51 - Solution Control Group, Disk Scrub Head	2-108
Fig. 52 - Recovery Tank Group	2-110
Fig. 53 - Recovery Tank Drain Group	2-112
Fig. 54 - Vacuum Fan Group, Scrubbing	2-114
Fig. 55 - Hydraulic Schematic (000000-001503)	2-116
Fig. 56 - Hydraulic Schematic (001504- )	2-118
Fig. 57 - Hydraulic Hose Group, Steering and Propel	2-120
Fig. 58 - Hydraulic Hose Group, Pump and Vacuum Fan	2-122
Fig. 59 - Hydraulic Hose Group, Cylindrical Brush	2-124
Fig. 60 - Hydraulic Hose Group, Disk Brush	2-126
Fig. 61 - Hydraulic Hose Group, Squeegee Lift	2-128
Fig. 62 - Hydraulic Pumps Group	2-130
Fig. 63 - Hydraulic Cooler and Tubes Group	2-132
Fig. 64 - Hydraulic Reservoir Group	2-134
Fig. 65 - Hydraulic Valves Group	2-136
Fig. 66 - Electrical Schematic (000000-001499)	2-138
Fig. 67 - Electrical Schematic (001500-001742)	2-142
Fig. 68 - Electrical Schematic (001743- )	2-146
Fig. 69 - Electrical Schematic, Gasoline/LPG Engine Harness (000000-001499)	2-150
Fig. 70 - Electrical Schematic, Gas Engine Harness (001500- )	2-152
Fig. 72 - Electrical Wire Harnesses Group	2-156
Fig. 73 - Label Group	2-170

Fig. 1 - Brushes, Replacement, Scrub Head

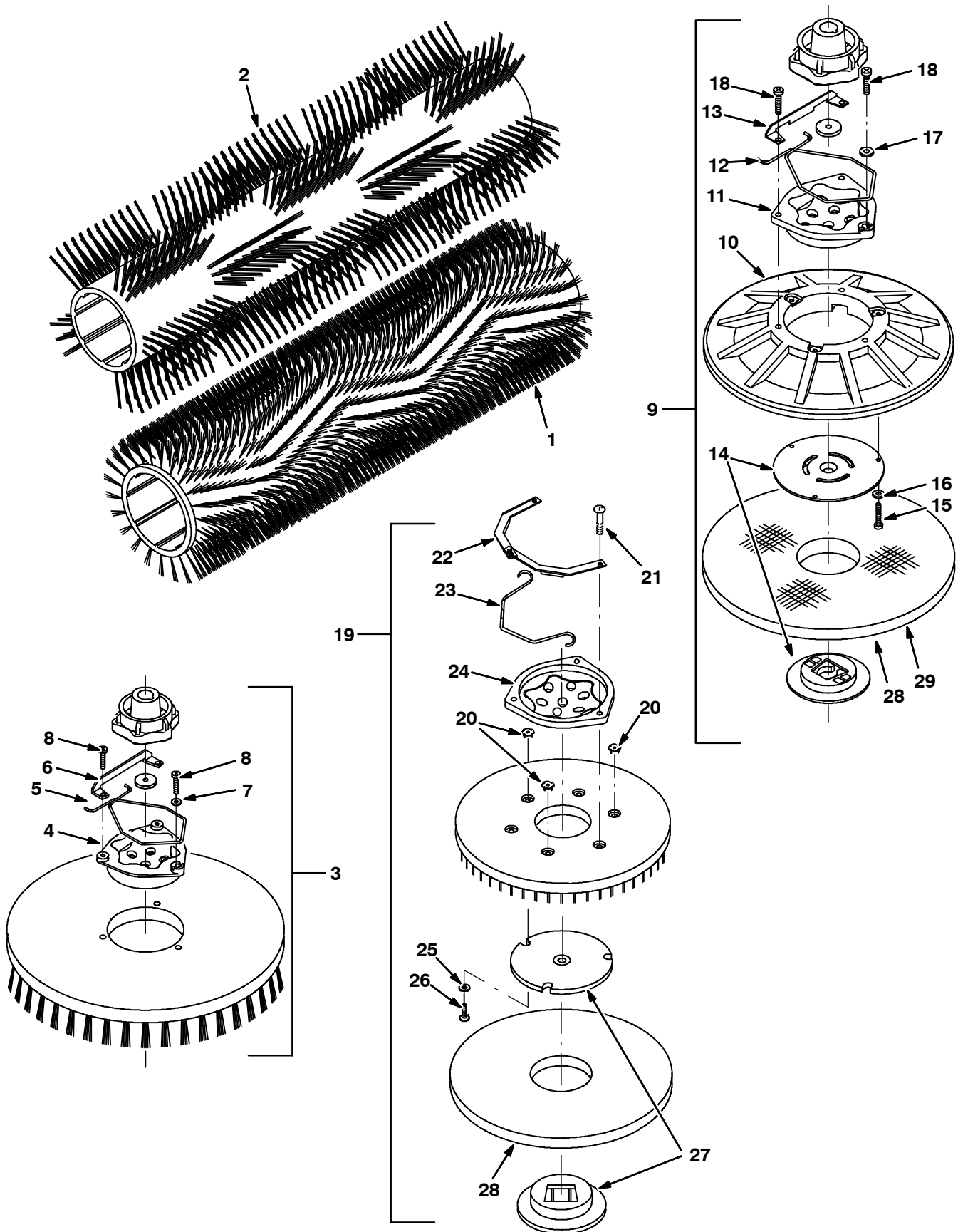


Fig. 1 - Brushes, Replacement, Scrub Head

Ref.	Part No.	Serial Number	Description	Qty.	
1	1026223	(000000-	) Brush, Swp / Scb, 40l, Polypropylene	2	
1	1026222	(000000-	) Brush, Swp / Scb, 40l, Super Abrasive	2	
1	1027697	(000000-	) Brush, Swp / Scb, 40l, Polyester	2	
1	1030969	(000000-	) Brush, Swp / Scb, 40l, Heavy Duty Polypropylene	2	
2	1040524	(000000-	) Brush, Swp / Scb, 40l, Heavy Duty Polypropylene	2	
▽	3	222320	(000000-	) Brush Assy, Disk, Scb, 14.0 D, Polypropylene	3
▲	4	1017368	(000000-	) Hub, Drive, Brush, Disk, 3Hole 5.8Bc	1
▲	5	14838	(000000-	) Spring, Wir, 0.16d, Brush Retaining	1
▲	6	24299	(000000-	) Bracket, Retainer, Spring	1
▲	7	01684	(000000-	) Washer,Flat 0.25, Ss	1
▲	8	32746	(000000-	) Screw, Pan, M6 X 1.0 X 35, Ss	3
▽	3	222321	(000000-	) Brush Assy, Disk, Scb, 14.0 D, Soft Nylon	3
▲	4	1017368	(000000-	) Hub, Drive, Brush, Disk, 3Hole 5.8Bc	1
▲	5	14838	(000000-	) Spring, Wir, 0.16d, Brush Retaining	1
▲	6	24299	(000000-	) Bracket, Retainer, Spring	1
▲	7	01684	(000000-	) Washer,Flat 0.25, Ss	1
▲	8	32746	(000000-	) Screw, Pan, M6 X 1.0 X 35, Ss	3
▽	3	222322	(000000-	) Brush Assy, Disk, Scb, 14.0d, Super Abrasive	3
▲	4	1017368	(000000-	) Hub, Drive, Brush, Disk, 3Hole 5.8Bc	1
▲	5	14838	(000000-	) Spring, Wir, 0.16d, Brush Retaining	1
▲	6	24299	(000000-	) Bracket, Retainer, Spring	1
▲	7	01684	(000000-	) Washer,Flat 0.25, Ss	1
▲	8	32746	(000000-	) Screw, Pan, M6 X 1.0 X 35, Ss	3
▽	9	397914	(000000-	) Driver Assy, Pad, 14.0d	3
▲	10	397974	(000000-	) Disk, Driver, Pad, W/ Face, 14.0d	1
▲	11	15539	(000000-	) Hub, Drive, Brush, Disk, 3hole 5.8bc[6t]	1
▲	12	14838	(000000-	) Spring, Wir, 0.16d, Brush Retaining	1
▲	13	24299	(000000-	) Bracket, Retainer, Spring	1
▲	14	370095	(000000-	) Device, Centering, Clip On, TI [Gf Pp]	1
▲	15	09198	(000000-	) Screw, Pan, M4 X 0.7 X 35, Ss	3
▲	16	41579	(000000-	) Washer, Flat, #08, Ss	3
▲	17	01684	(000000-	) Washer,Flat 0.25, Ss	1
▲	18	32746	(000000-	) Screw, Pan, M6 X 1.0 X 35, Ss	3
▽	19	399249	(000000-	) Driver Assy, Pad, 14 D, Brush	3
▲	20	10908	(000000-	) Nut, T, M4 X 0.70	3
▲	21	32747	(000000-	) Screw, Pan, M6 X 1.0 X 40, Ss	3
▲	22	21852	(000000-	) Bracket, Retainer, Spring	2
▲	23	1028905	(000000-	) Spring, Wir, 0.16d, Brush Retaining [T5]	1
▲	24	1017112	(000000-	) Hub, Drive, Brush, Disk, 3hole 5.8bc	1
▲	25	41579	(000000-	) Washer, Flat, #08, Ss	3
▲	26	04403	(000000-	) Screw, Pan, M4 X 0.7 X 25, Ss, NI	3
▲	27	370095	(000000-	) Device, Centering, Clip On, TI [Gf Pp]	1
	28	222324	(000000-	) Pad, Polish, 14.0d, White [1pad=1pc]	3
	28	222325	(000000-	) Pad, Buff, 14.0d, Red	3
	28	222326	(000000-	) Pad, Scb, 14.0d, Blu [1pad=1pc]	3
	28	222327	(000000-	) Pad, Stripping, 14.0d, Brown [1pad=1pc]	3
	28	1051026	(000000-	) Pad, Surf Prep, 14.0D Maroon, [1PICK=1PAD]	3
	29	370091	(000000-	) Pad, High Productivity Stripping, 14.0d, Blk	3

Fig. 2 - Brushes, Replacement, Side Brush

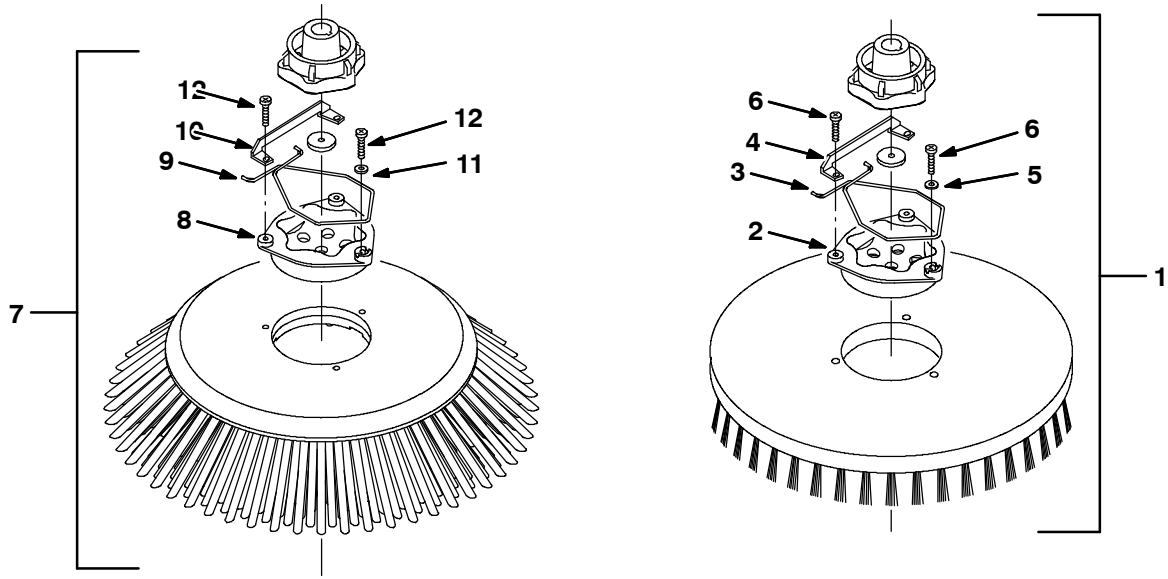


Fig. 2 - Brushes, Replacement, Side Brush

Ref.	Part No.	Serial Number	Description	Qty.
▽	1	1042500	(000000- ) Brush Assy, Disk, Scg, 16.0 D, Polypropylene	1
▲	2	1017368	(000000- ) Hub, Drive, Brush, Disk, 3hole 5.8bc	1
▲	3	14838	(000000- ) Spring, Wir, 0.16d, Brush Retaining	1
▲	4	24299	(000000- ) Bracket, Retainer, Spring	1
▲	5	01684	(000000- ) Washer, Flat, 0.27b 0.69d .05, Ss	1
▲	6	32746	(000000- ) Screw, Pan, Phl, M6 X 1.00 X 35, Ss	3
▽	1	1042504	(000000- ) Brush Assy, Disk, Scg, 16.0 D, Super Abrasive	1
▲	2	1017368	(000000- ) Hub, Drive, Brush, Disk, 3hole 5.8bc	1
▲	3	14838	(000000- ) Spring, Wir, 0.16d, Brush Retaining	1
▲	4	24299	(000000- ) Bracket, Retainer, Spring	1
▲	5	01684	(000000- ) Washer, Flat, 0.27b 0.69d .05, Ss	1
▲	6	32746	(000000- ) Screw, Pan, Phl, M6 X 1.00 X 35, Ss	3
▽	1	1042499	(000000- ) Brush Assy, Disk, Scb, 16.0D, Nyl	1
▲	2	1017368	(000000- ) Hub, Drive, Brush, Disk, 3hole 5.8bc	1
▲	3	14838	(000000- ) Spring, Wir, 0.16d, Brush Retaining	1
▲	4	24299	(000000- ) Bracket, Retainer, Spring	1
▲	5	01684	(000000- ) Washer, Flat, 0.27b 0.69d .05, Ss	1
▲	6	32746	(000000- ) Screw, Pan, Phl, M6 X 1.00 X 35, Ss	3
▽	7	1027688	(000000- ) Brush Assy, Disk, Swp, 24.0D, Polypropylene	1
▲	8	15539	(000000- ) Hub, Drive, Brush, Disk, 3hole 5.8bc[6t]	1
▲	9	14838	(000000- ) Spring, Wir, 0.16d, Brush Retaining	1
▲	10	24299	(000000- ) Bracket, Retainer, Spring	1
▲	11	01684	(000000- ) Washer, Flat, 0.25, Ss	1
▲	12	32746	(000000- ) Screw, Pan, M6 X 1.0 X 35, Ss	3

**Fig. 3 - Main Frame Group**

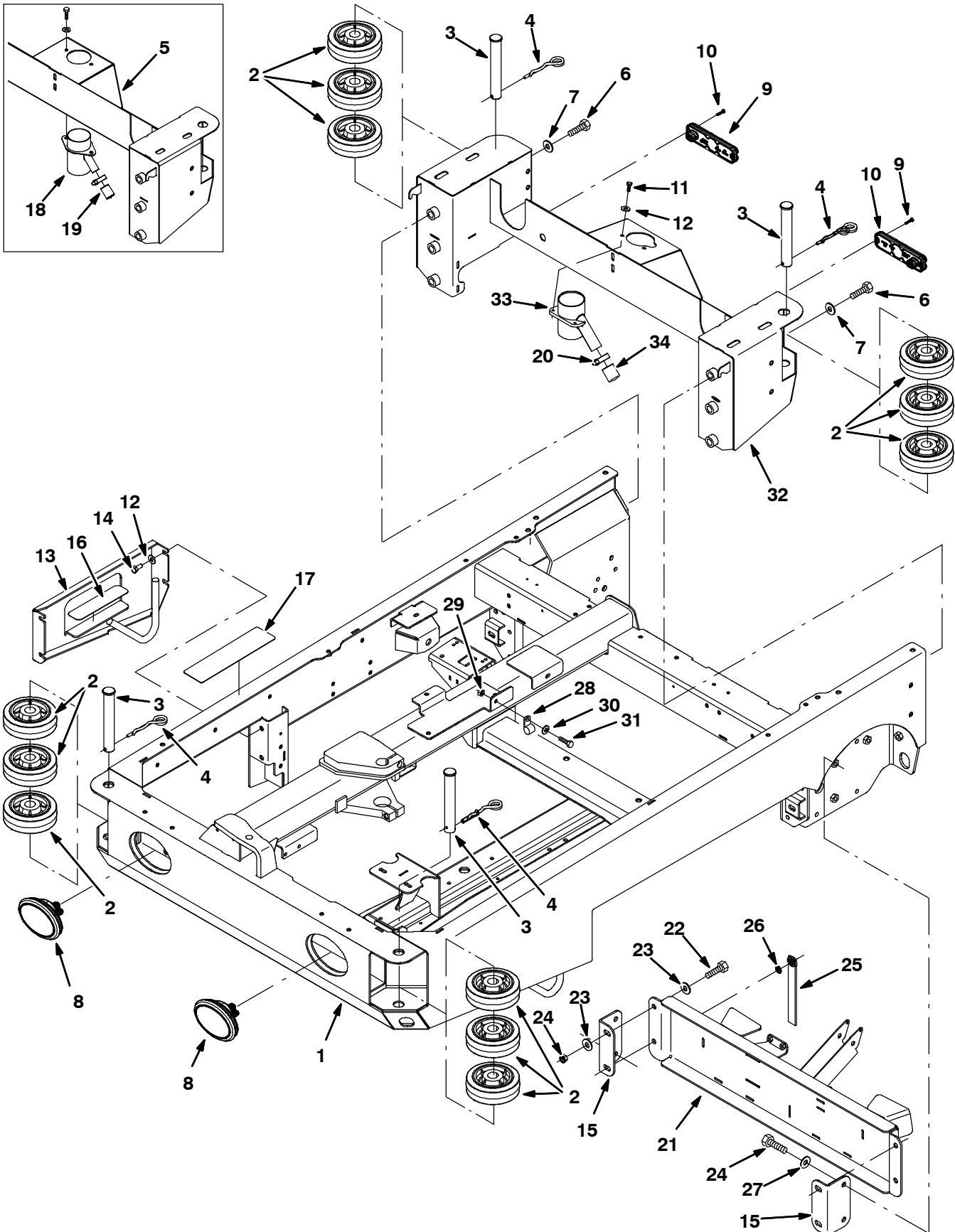




Fig. 3 - Main Frame Group

Ref.	Part No.	Serial Number	Description	Qty.	
1	9002401	(000000-	) Frame Wldt, Main, Replmt [M20 & T20]	1	
2	1021047	(000000-	) Wheel, 06.0d 2.00w 1.19b, Gray Rbr	12	
3	1017672	(000000-	) Pin, Clevis, 30mmd X 200mml	4	
4	761490	(000000-	) Pin, Cotter, Hair, Dbl	4	
5	1026150	(000000-001720	) Bumper Wldt, Rear (Replaced by 9003679)	1	
6	06971	(000000-	) Screw, Hex, M12 X 1.75 X 50, 8.8	6	
7	32493	(000000-	) Washer, Flat, 0.50, Std	6	
▽	8	1019225	(000000-	) Headlight, 12vdc, 27watt, 2.1a, Oval	2
▲		1031826	(000000-	) Lamp, 12vdc [Speaker]	1
▲		1031827	(000000-	) Receptacle, Lamp [Speaker]	1
9	1018208	(000000-	) Light, Tail, 12vdc	2	
10	06928	(000000-	) Screw, Pan, M4 X 0.70 X 20, 4.8	4	
11	09740	(000000-	) Screw, Hex, M8 X 1.25 X 20, Ss	2	
12	01686	(000000-	) Washer, Flat, 0.44b 1.00d .08, Ss	6	
13	1027916	(000000-	) Panel Wldt, Filler	1	
14	12317	(000000-	) Screw, Hex, M10 X 1.5 X 30, Ss	4	
15	1025254	(000000-	) Bracket, Mtg, Sqge, Disk Head (Disk Scrub Head)	2	
16	363458	(000000-	) Tread, Non-Skid, 01.9w 08.0l	1	
17	58819	(000000-	) Tread, Non-Skid, 03.0w 11.6l	1	
18	1027347	(000000-001720	) Coupling, Hose	1	
19	1028253	(000000-001720	) Grip, Handle, 1.0d 1.5l Blk (Disk Scrub Head)	1	
20	11399	(000000-	) Clamp, Hose, Wormdrive, 0.81-1.50d, .50w (Disk Scrub Head)	1	
21	1027269	(000000-	) Crossmember Wldt, Sqge (Disk Scrub Head)	1	
22	77347	(000000-	) Screw, Hex, M10 X 1.5 X 35, Ss (Disk Scrub Head)	4	
23	32492	(000000-	) Washer, Flat, 0.38, Std (Disk Scrub Head)	8	
24	08714	(000000-	) Nut, Hex, Lock, M10 X 1.5, NI, Ss (Disk Scrub Head)	4	
25	71579	(000000-	) Strap, Static, W/Grommet, .19 1.1w 25.0l (Disk Scrub Head)	1	
26	41141	(000000-	) Washer, Lock, Int-Ext, 0.31 (Disk Scrub Head)	1	
27	32493	(000000-	) Washer, Flat, 0.50, Std (Disk Scrub Head)	4	
28	53466	(001036-	) Clamp, Cable, Stl, 1.50d X 1.00w, 1hole	1	
29	08709	(001036-	) Nut, Hex, Lock, M8 X 1.25, NI	1	
30	32491	(001036-	) Washer, Flat, 0.31, Std	1	
31	39277	(001036-	) Screw, Hex, M8 X 1.25 X 25, 8.8	1	
32	1039091	(001721-	) Bumper Wldt, Rear	1	
33	1036240	(001721-	) Tube, Vacuum	1	
34	1038498	(001721-	) Grip, Handle, 1.25D 1.50L Blk	1	

**Fig. 4 - Operator Station Group**

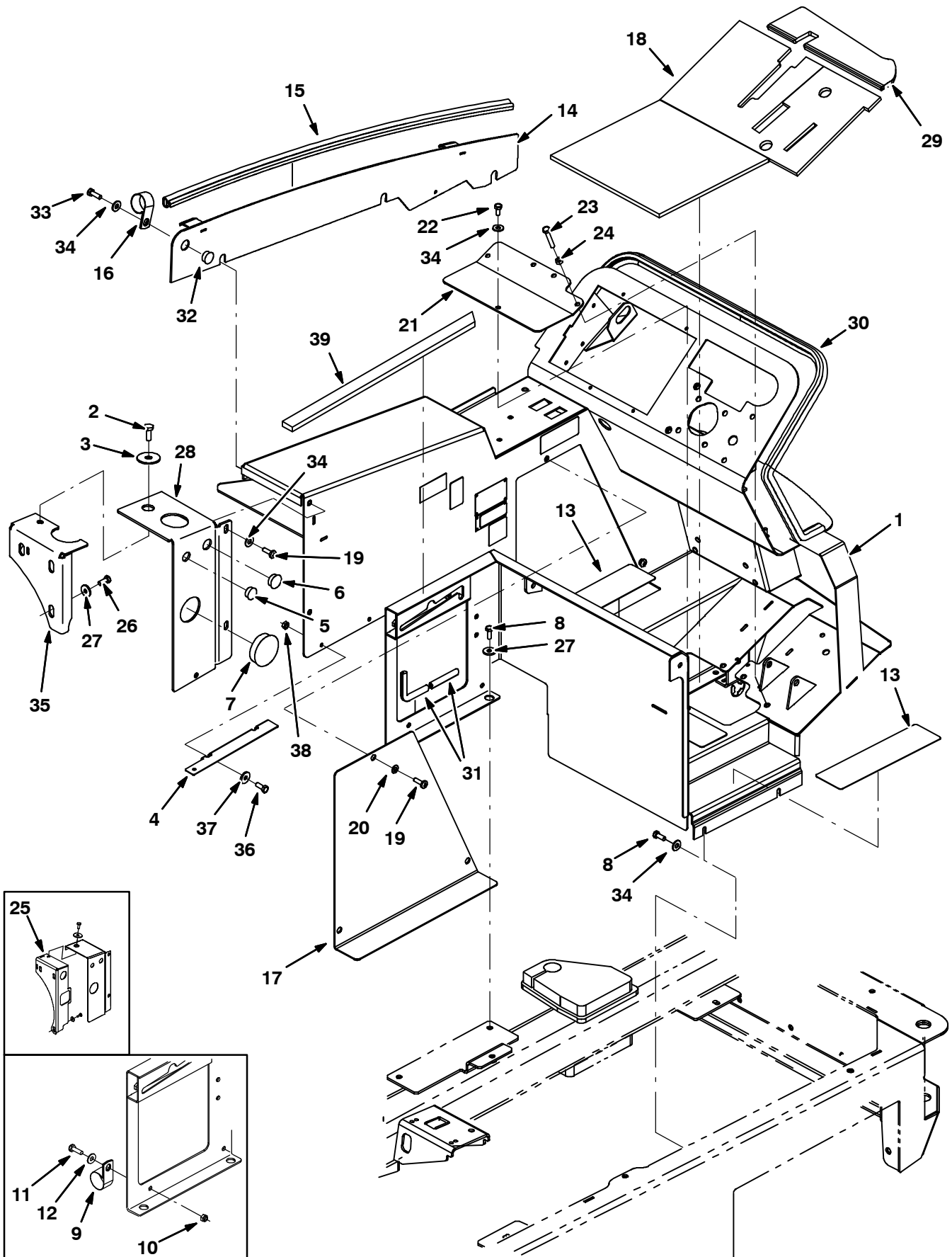


Fig. 4 - Operator Station Group

Ref.	Part No.	Serial Number	Description	Qty.
1	9002409	(000000-	) Panel Wldt, Gas, Replmt	1
1	9002380	(000000-	) Panel Wldt, Gas, Replmt [W/Fast]	1
1	9002381	(000000-	) Panel Wldt, Gas, W/ Es, Replmt	1
1	9003422	(000000-	) Panel Wldt, Gas, Replmt, TJ (Japan only)	1
1	9003425	(000000-	) Panel Wldt, Gas, Replmt, TJ [W/Fast] (Japan only)	1
1	9003428	(000000-	) Panel Wldt, Gas, Replmt, TJ, W/Es (Japan only)	1
1	9003431	(000000-	) Panel Wldt, LPG, Replmt	1
1	9003432	(000000-	) Panel Wldt, LPG, Replmt [W/Fast]	1
1	9003433	(000000-	) Panel Wldt, LPG, Replmt, W/Es	1
1	9003423	(000000-	) Panel Wldt, LPG, Replmt, TJ (Japan only)	1
1	9003426	(000000-	) Panel Wldt, LPG, Replmt, TJ [W/Fast] (Japan only)	1
1	9003429	(000000-	) Panel Wldt, LPG, Replmt, TJ, W/Es (Japan only)	1
2	39283	(000000-	) Screw, Hex, M10 X 1.5 X 25, 8.8	1
3	04414	(000000-	) Washer, Flat, 0.53b 1.88d .12, Stl, Pl	1
4	1047169	(000000-	) Bracket, Mtg, Insulation	2
5	82727	(000000-	) Plug, Hole, Rnd, 0.88h .03-.12, Blk Nyl	1
6	01493	(000000-	) Plug, Hole, Rnd, 1.00h .03-.12, Blk Nyl	1
7	1030017	(000000-	) Plug, Hole, Rnd, 2.50h .03-.25, Blk Nyl	1
8	16931	(000000-	) Screw, Hex, M8 X 1.25 X 20, 8.8	8
9	70157	(000000-001035)	) Clamp, Cable, Ss, 2.50d X 1.00w, 1h	1
10	08709	(000000-001035)	) Nut, Hex, Lock, M8 X 1.25, NI	2
11	39277	(000000-001035)	) Screw, Hex, M8 X 1.25 X 25, 8.8	7
12	32491	(000000-001035)	) Washer, Flat, 0.31, Std	18
13	58819	(000000-	) Tread, Non-Skid, 03.0w 11.6l	4
14	1025435	(000000-001499)	) Panel Wldt, Adj	1
14	1035832	(001500-	) Panel Wldt, Adj [2007]	1
15	1030593	(000000-	) Seal, Afmkt, Bulb, 90, 0.75d F/11ga 08ft	1
16	53466	(000000-	) Clamp, Cable, Stl, 1.50d X 1.00w, 1h	5
17	1021834	(000000-	) Panel, Access, Door	1
18	1027218	(000000-	) Mat, Floor	1
19	1031665	(000000-	) Screw, Pan, M8 X 1.25 X 25, Blk	4
20	39349	(000000-	) Washer, Flat, 0.31 Sae	3
21	1022699	(000000-	) Panel, Access, Floor	1
22	16931	(000000-	) Screw, Hex, M8 X 1.25 X 20, 8.8	4
23	363976	(000000-	) Screw, Hex, M8 X 1.25 X 60, 8.8, Fl	1
24	39311	(000000-	) Nut, Hex, Std, M8 X 1.25	1
25	1020540	(000000-001683)	) Bracket Wldt, Mtg, Tank	1
26	09740	(000000-	) Screw, Hex, M8 X 1.25 X 20, Ss	3
27	1017218	(000000-	) Washer, Flat, 0.32b 1.00d .12, Ss	5
28	1033975	(000000-	) Bracket, Mtg	1
29	1027267	(000000-	) Mat, Floor	1
30	1020904	(000000-	) Seal, Panl, Instmt	1
31	1020168	(000000-	) Molding, Afmkt, Trim, Pvc, .08 .11, 1ft	1
32	80288	(002000-	) Plug, Hole, Rnd, 0.81h, Blk	1
33	39277	(000000-	) Screw, Hex, M8 X 1.25 X 25, 8.8	6
34	32491	(000000-	) Washer, Flat, 0.31, Std	17
35	1035997	(001684-	) Bracket Wldt, Mtg, Tank	1
36	06942	(000000-	) Screw, Hex, M6 X 1.00 X 16, 8.8	2
37	32490	(000000-	) Washer, Flat, 0.25, Std	2
38	08708	(000000-	) Nut, Hex, Lock, M6 X 1.00, NI	2
39	1047295	(000000-	) Seal, Foam, 0.50	1

Fig. 5 - Operator Station Insulation Group

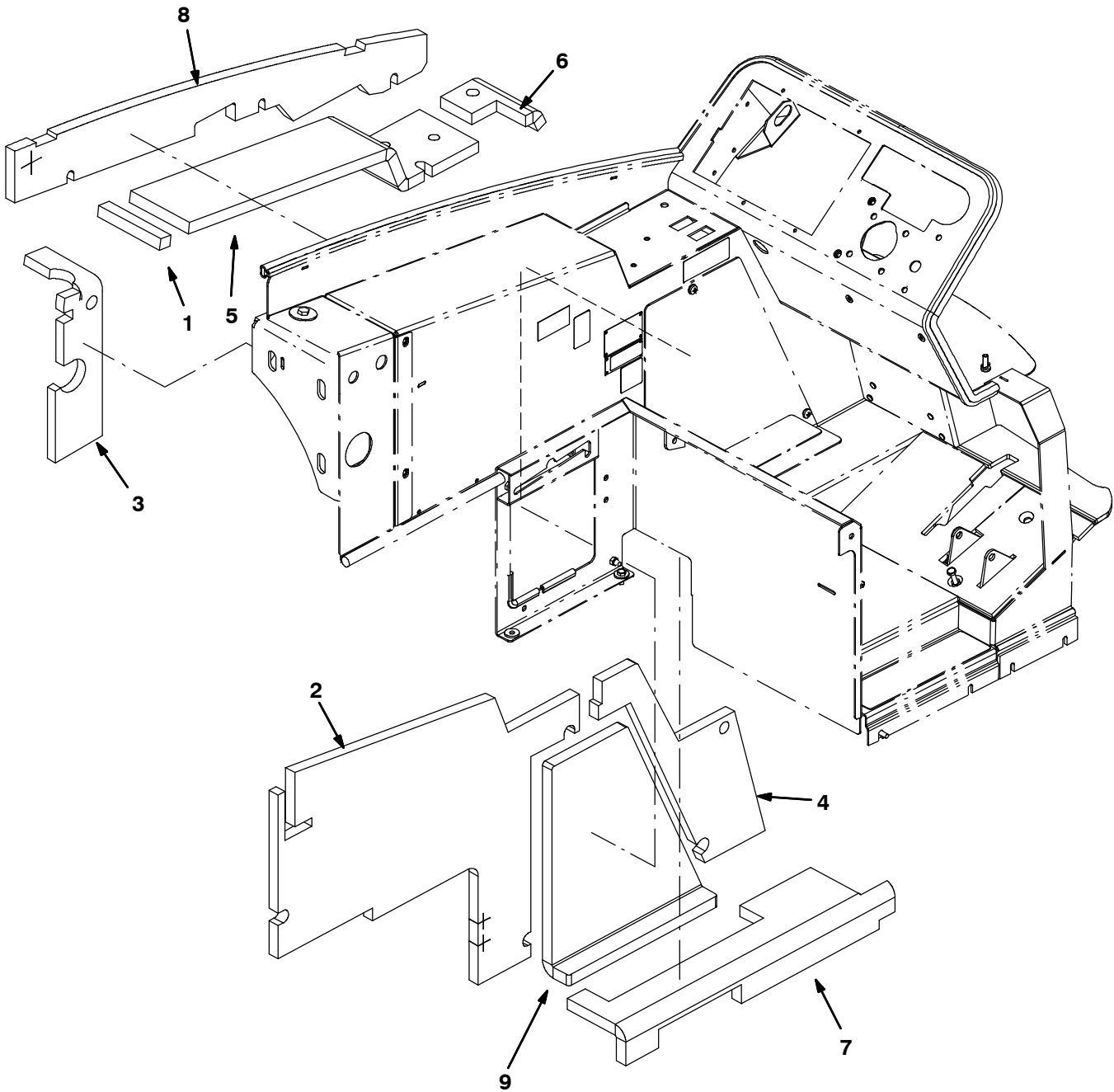


Fig. 5 - Operator Station Insulation Group

Ref.	Part No.	Serial Number	Description	Qty.
1	1034769	(000000-	) Insulation, Flame-retardant, 0.75-0.88	1
2	1034765	(000000-	) Insulation, Flame-retardant, 0.75-0.88	1
3	1040841	(000000-	) Insulation, Flame-Retardant, 0.75-0.88	1
4	1023464	(000000-	) Insulation, Flame-Retardant, 0.75-0.88	1
5	1034764	(000000-	) Insulation, Flame-retardant, 0.75-0.88	1
6	1034766	(000000-	) Insulation, Flame-retardant, 0.75-0.88	1
7	1034768	(000000-	) Insulation, Flame-retardant, 0.75-0.88	1
8	1034770	(000000-	) Insulation, Flame-retardant, 0.75-0.88	1
9	1023569	(000000-	) Insulation, Flame-Retardant, 0.75-0.88	1

Fig. 6 - Instrument Panel Group

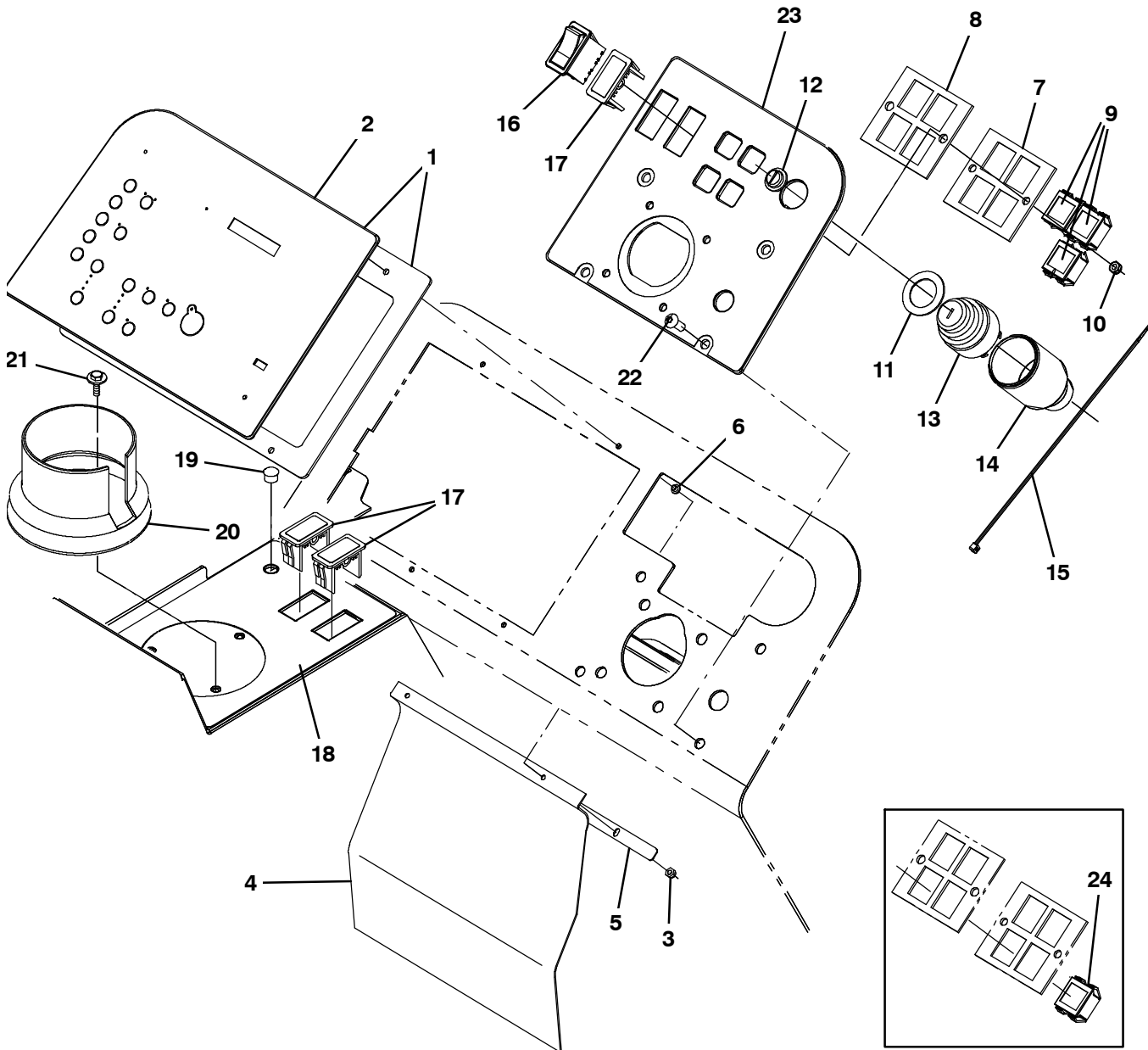


Fig. 6 - Instrument Panel Group

Ref.	Part No.	Serial Number	Description	Qty.
▽	1	9002436	(000000- ) Panel Kit, Instmt, Replmt [T20]	1
▲	2	9002437	(000000- ) Label Kit, Panel, Replmt [T20]	1
	3	16968	(000000- ) Nut, Hex, Lock, #08-32, NI	4
	4	1028769	(000000- ) Flap, Battery	1
	5	1028772	(000000- ) Bar, Flat, Ss, .06 X .50 X 10.0l 2/.19sl	1
	6	1029362	(000000- ) Washer, Shld, Nyl [8-32]	4
	7	361071	(000000- ) Plate, Mtg, Light	1
	8	361073	(000000- ) Seal, Rbr, Clsd, 0.13, Instmt Panl	1
	9	361075	(000000- ) Light, Panl, 14vdc, , 1.1 X 1.0	3
	10	08712	(000000- ) Nut, Hex, Lock, M6 X 1.0, Ss, NI	2
	11	73736	(000000- ) Washer, Flat, 1.15b 1.75d .08, Stl	1
	12	382516	(000000- ) Boot, .63id .29l .90w	1
▽	13	87536	(000000- ) Switch, Ignition [Ku]	1
▲		87866	(000000- ) Key, Ignition [Set Of 2]	1
	14	383165	(000000- ) Boot, Switch, Ignition	1
	15	49266	(000000- ) Tie, Cable, Nyl, 07.3l .19w 1.8 Max D	2
	16	392171	(000000- ) Switch, Rocker, Dpdt On/Off/On	1
	17	398501	(000000- ) Plug, Hole, Rt, Rocker Switch, .87 X 1.7	3
	18	1027284	(000000- ) Label, Switch, Rocker [T20]	1
	19	56992	(000000- ) Plug, Hole, Rnd, 0.50h .03-.12, Blk Nyl	1
	20	223599	(000000- ) Cup Holder, Rwk	1
	21	1036892	(000000- ) Screw, Hex, M6 X 1.00 X 25, 9.8 Sems	3
	22	1031665	(000000- ) Screw, Pan, M8 X 1.25 X 25, Blk	4
	23	9004880	(000000- ) Panel, Instmt, Rh, Gas, Replmt	1
	23	9002391	(000000- ) Panel, Instmt, Rh, Lpg, Replmt	1
	23	9002392	(000000- ) Panel, Instmt, Rh, Lpg, Replmt, CE/TJ (Japan only)	1
	24	361075	(000000-001997 ) Light, Panl, 14vdc, , 1.1 X 1.0	1

Fig. 7 - Seat Group

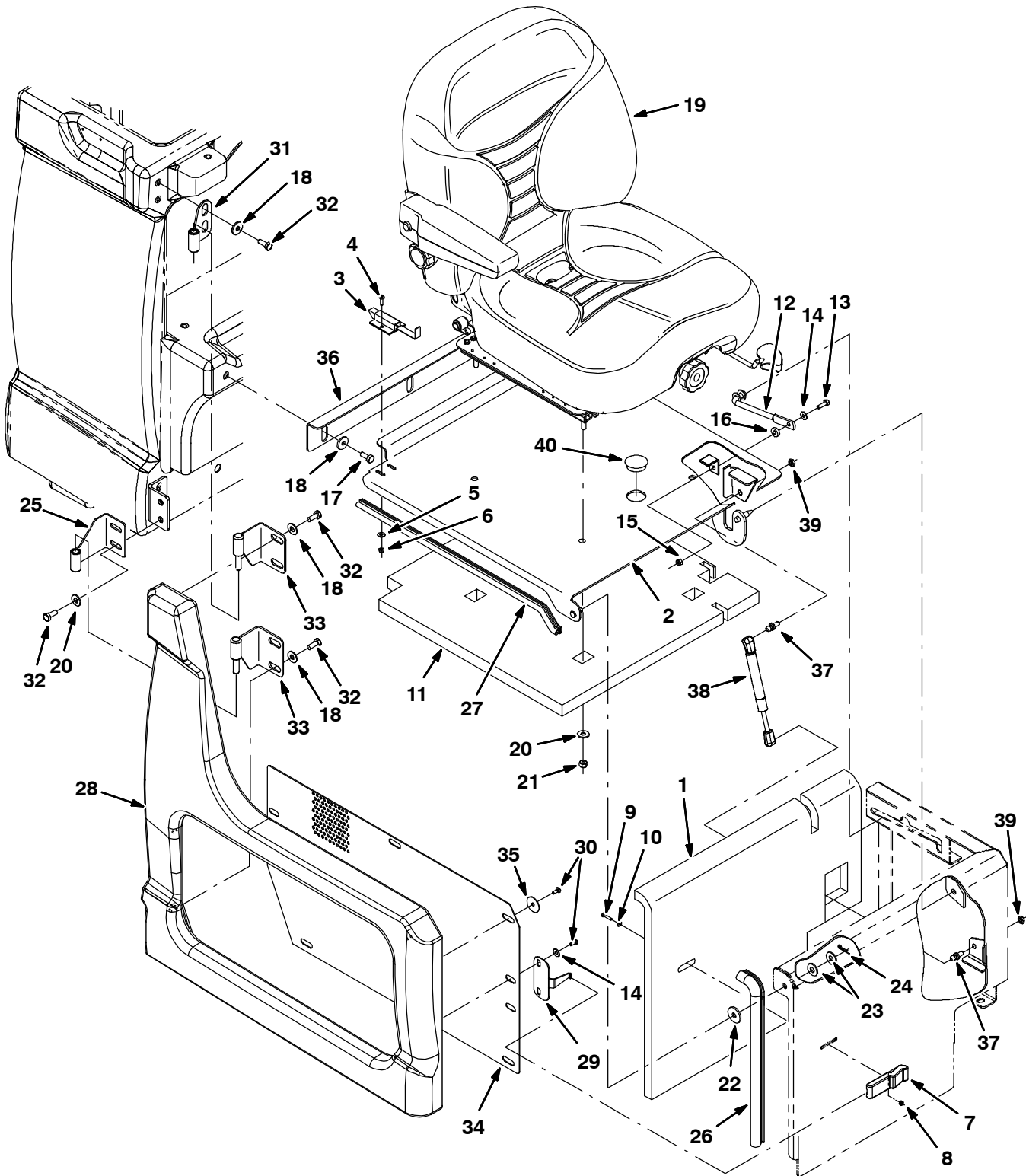




Fig. 7 - Seat Group

Ref.	Part No.	Serial Number	Description	Qty.
1	1034767	(000000-	) Insulation, Flame-retardant, 0.75-0.88	1
2	1019228	(000000-	) Plate Wldt, Seat	1
3	1025736	(000000-	) Latch	1
4	09252	(000000-	) Screw, Hex, M5 X 0.8 X 20, 8.8	2
5	19066	(000000-	) Washer, Flat, #10	2
6	06549	(000000-	) Nut, Hex, Lock, M5 X 0.8, NI	2
7	49800	(000000-	) Latch	1
8	02850	(000000-	) Nut, Hex, Lock, M4 X 0.7, NI	4
9	06929	(000000-	) Screw, Pan, M4 X 0.7 X 25, 4.8	4
10	19065	(000000-	) Washer, Flat, #08	2
11	1023499	(000000-	) Insulation, Flame-Retardant, 1.0	1
12	223080	(000000-	) Arm Wldt, Safety, Sppt, Seat, .38d 06.5d	1
13	06943	(000000-	) Screw, Hex, M6 X 1.0 X 20, 8.8	1
14	32483	(000000-	) Washer, Flat, 0.25 Sae	9
15	08708	(000000-	) Nut, Hex, Lock, M6 X 1.0, NI	1
16	21851	(000000-	) Spacer, Plstc, Ny	1
17	09740	(000000-	) Screw, Hex, M8 X 1.25 X 20, Ss	3
18	1017218	(000000-	) Washer, Flat, 0.32b 1.00d .12, Ss	11
19	1022105	(000000-	) Seat, Suspension, W/1 Arm And Belt	1
20	32491	(000000-	) Washer, Flat, 0.31, Std	6
21	32983	(000000-	) Nut, Hex, Lock, .31-18, NI	4
22	364749	(000000-	) Washer, Flat, 0.41b 1.25d .12, Pye	1
23	32492	(000000-	) Washer, Flat, 0.38 Std	2
24	08085	(000000-	) Pin, Cotter, Hair, 0.31d .058 Wir	1
25	1024138	(000000-	) Hinge Wldt, Door	1
26	1030588	(000000-	) Seal, Afmkt, Bulb, 90, 0.75d F/11ga 02ft	1
27	1031206	(000000-	) Seal, Afmkt, Bulb, 90, 0.50d, 02ft	1
28	1018776	(000000-	) Shroud, Seat	1
29	1026825	(000000-	) Bracket, Latch, Shrd, Seat	1
30	09200	(000000-	) Screw, Pan, M5 X 0.8 X 12, Ss	8
31	1024464	(000000-	) Hinge Wldt, Shrd, Rh	1
32	16931	(000000-	) Screw, Hex, M8 X 1.25 X 20, 8.8	10
33	1024425	(000000-	) Hinge Wldt, Shrd, Rh	2
34	1025916	(000000-	) Grill, Side	1
35	41178	(000000-	) Washer, Flat, 0.25 Fendr	6
36	1020487	(000000-	) Bracket, Seat, Adj	1
37	58494	(001014-	) Stud, Ball, .39d .31-16, Gasspring	2
38	368391	(001014-	) Gasspring, 180lb, 03.0strk	1
39	01760	(001014-	) Nut, Hex, Lock, .31-18, NI, Thin	2
40	76888	(001998-	) Plug, Hole, Rnd, 1.25H .03-.12, Blk Nyl	1

Fig. 8 - Steering Group

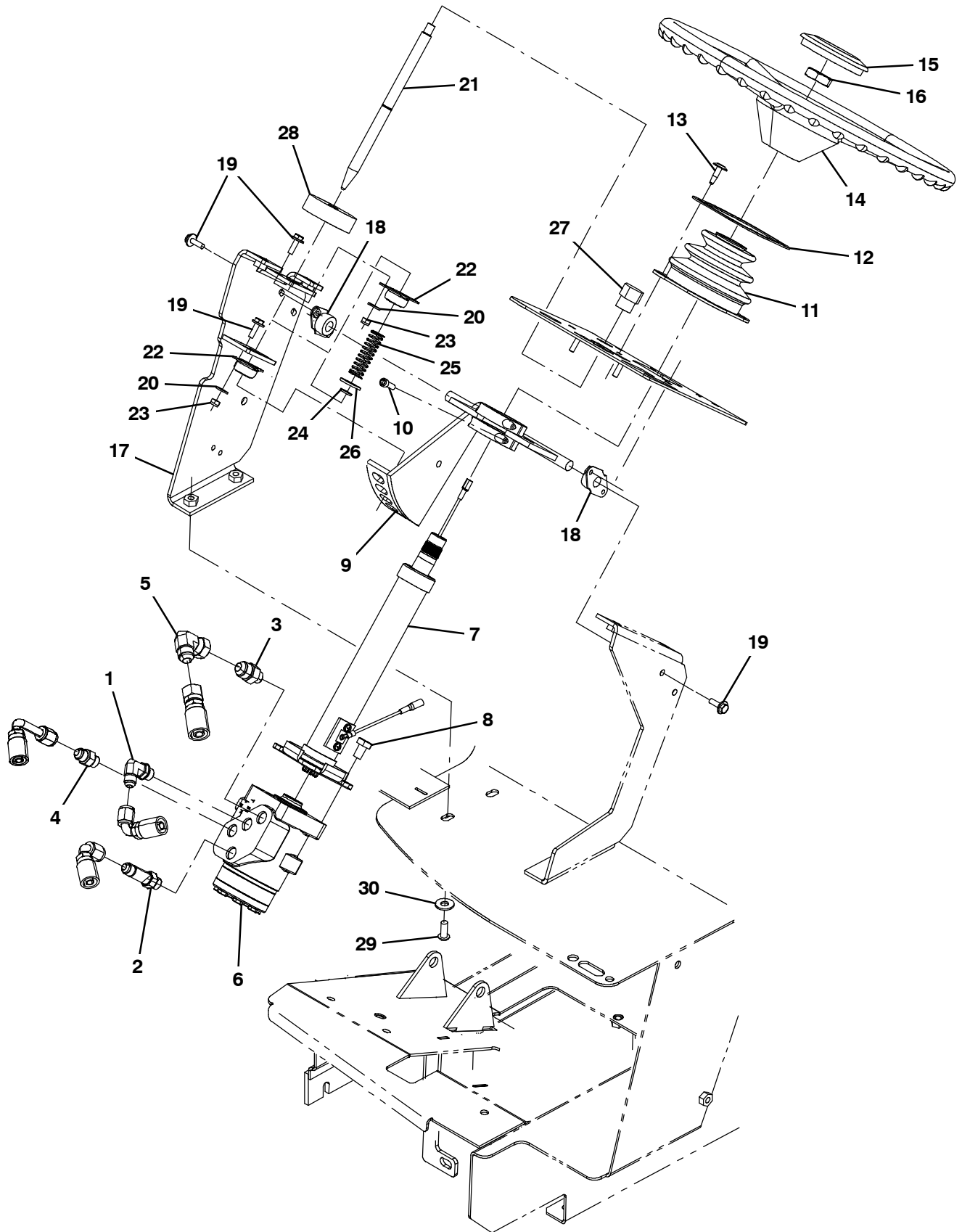


Fig. 8 - Steering Group

Ref.	Part No.	Serial Number	Description	Qty.	
1	56820	(000000-	) Fitting, Hyd, E90, Jm06/Om06	1	
2	59577	(000000-	) Fitting, Hyd, Str, Jm06/Om06, L	1	
3	56835	(000000-	) Fitting, Hyd, Str, Jm08/Om06	1	
4	56690	(000000-	) Fitting, Hyd, Str, Jm06/Om06	1	
5	17980	(000000-	) Fitting, Hyd, E90, Jf08/Jm08	1	
6	1024260	(000000-	) Steer-Control, Hyd#05, 06.1 2030 (See Breakdown)	1	
7	1021265	(000000-	) Column, Steering, 09.9l 0.86d 36tooth	1	
8	06960	(000000-	) Screw, Hex, M10 X 1.5 X 16, 8.8	4	
▽	9	73027	(000000-	) Bracket Wldt, Steering, Tilt	1
▲	10	01681	(000000-	) Screw, Soc, .25-20 X 0.75, Al	4
11	70622	(000000-	) Boot, Bellows, 3.1l 4.4w 2.8h 1hole, Neo	1	
12	70623	(000000-	) Retainer, Boot, Steering Column	1	
13	72970	(000000-	) Rivet, Plstc, .250d X 0.898	4	
14	768481	(000000-	) Wheel, Steering, 14.3d 0.81b 36tooth	1	
15	1024478	(000000-	) Button, Cntrl, Horn	1	
16	56185	(000000-	) Nut, Hex, Jam, M20 X 1.5	1	
17	1024695	(000000-	) Bracket Wldt, Tilt, Rh	1	
18	70709	(000000-	) Bearing, Flng, 2-Hole, 0.50b	2	
19	1040467	(000000-	) Screw, Hex, M6 X 1.00 X 20, 9.8, Sems	8	
20	32483	(000000-	) Washer, Flat, 0.25 Sae	4	
21	1023926	(000000-	) Pin, Locking, Steering, Tilt	1	
22	47585	(000000-	) Bearing, Flng, 2hole, 0.50b [Nyl]	2	
23	08708	(000000-	) Nut, Hex, Lock, M6 X 1.0, NI	4	
24	70717	(000000-	) Ring, Retaining, Ext, 0.50d, Hd	1	
25	22290	(000000-	) Spring, Cmpr, 18.8d, 1.6w, 57.1l	1	
26	32486	(000000-	) Washer, Flat, 0.50 Sae	1	
27	04706	(000000-	) Knob, Tee, 2.5x1.0 1.1l 0.38-16 Plstc	1	
28	75968	(000000-	) Insulation, Acstc, Rnd, 0.8, 02.5d 0.5h	1	
29	1031665	(000000-	) Screw, Pan, M8 X 1.25 X 25, Blk	2	
30	32491	(000000-	) Washer, Flat, 0.31, Std	2	

Fig. 9 - Front Cover Group

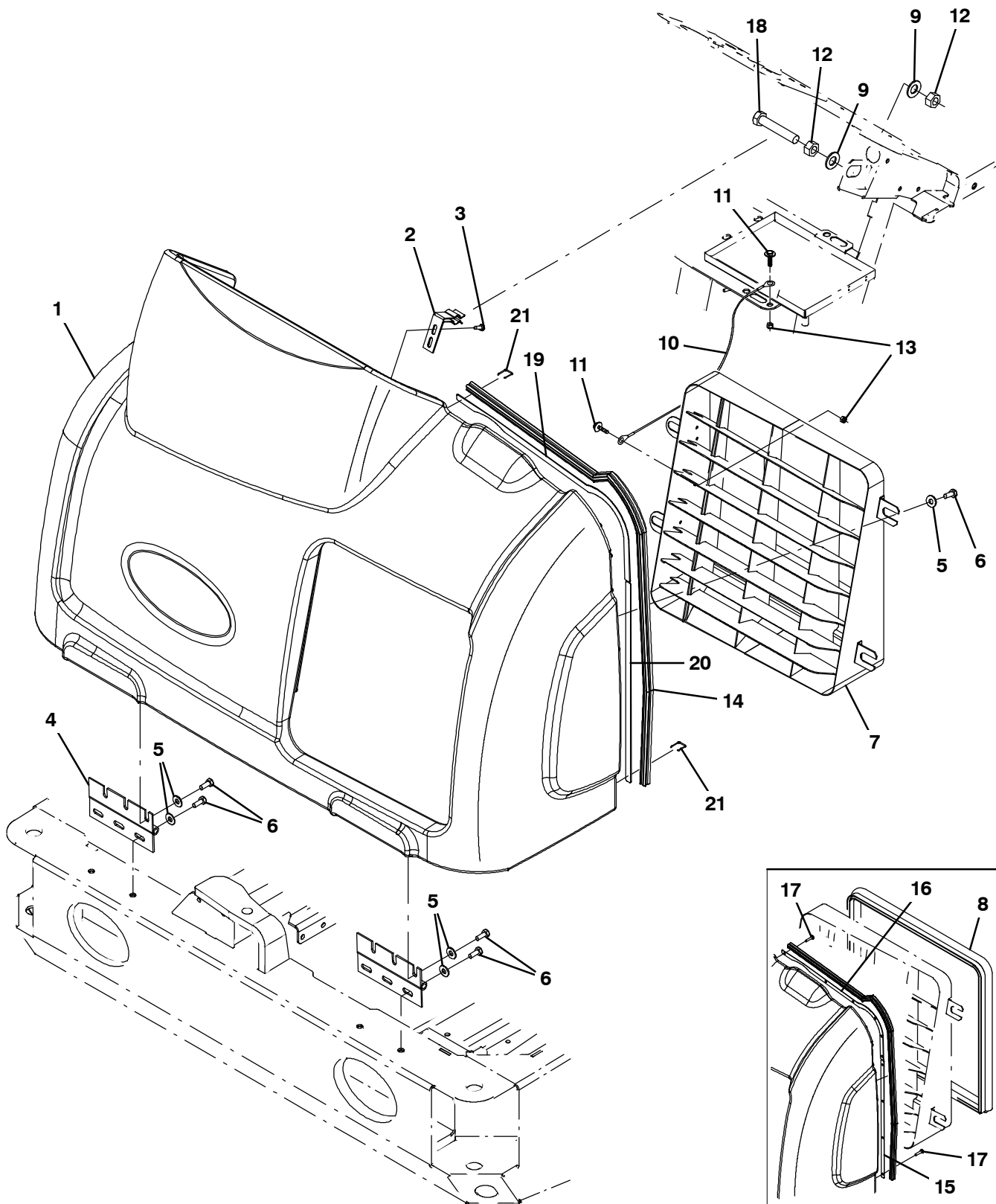


Fig. 9 - Front Cover Group

Ref.	Part No.	Serial Number	Description	Qty.
1	1022069	(000000-	) Shroud, Front, Trimmed	1
2	1008916	(000000-	) Bracket Wldt, Latch	1
3	06942	(000000-	) Screw, Hex, M6 X 1.0 X 16, 8.8	2
4	71941	(000000-	) Hinge, .38pin .11 3.5w 06.0l 6/0.38sl	2
5	32491	(000000-	) Washer, Flat, 0.31, Std	14
6	16931	(000000-	) Screw, Hex, M8 X 1.25 X 20, 8.8	14
7	1035068	(000000-	) Grill Wldt, Front	1
8	1031557	(000000-001021	) Seal, Afmkt, Bulb, Str, 1.0d F/11ga 08ft	1
9	15331	(000000-	) Washer, Flat, 0.62 Sae	2
10	391368	(000000-	) Cable, Glv .09d 016.5l .38eye /.38eye	1
11	1040467	(000000-	) Screw, Hex, M6 X 1.00 X 20, 9.8, Sems	2
12	07782	(000000-	) Nut, Hex, Std, M16 X 2.0	2
13	08708	(000000-	) Nut, Hex, Lock, M6 X 1.0, NI	2
14	1031543	(000000-	) Seal, Afmkt, Sponge, 0.88 1.00w 08ft	1
15	1029652	(000000-001512	) Plate, Mtg, Seal	1
16	1029545	(000000-001512	) Plate, Mtg, Seal	1
17	20394	(000000-001512	) Screw, Hex, #10-16 X 0.62, Fmg, [Ab]	10
18	06988	(000000-	) Screw, Hex, M16 X 2.0 X 90, 8.8	1
19	1037970	(001513-	) Strip Mtg, Seal	1
20	1037971	(001513-	) Strip Mtg, Seal	1
21	1037972	(001513-	) Fastener, 12.7Mm X 9.5Mm, Ss [Staple]	20

Fig. 10 - Engine Cover Group

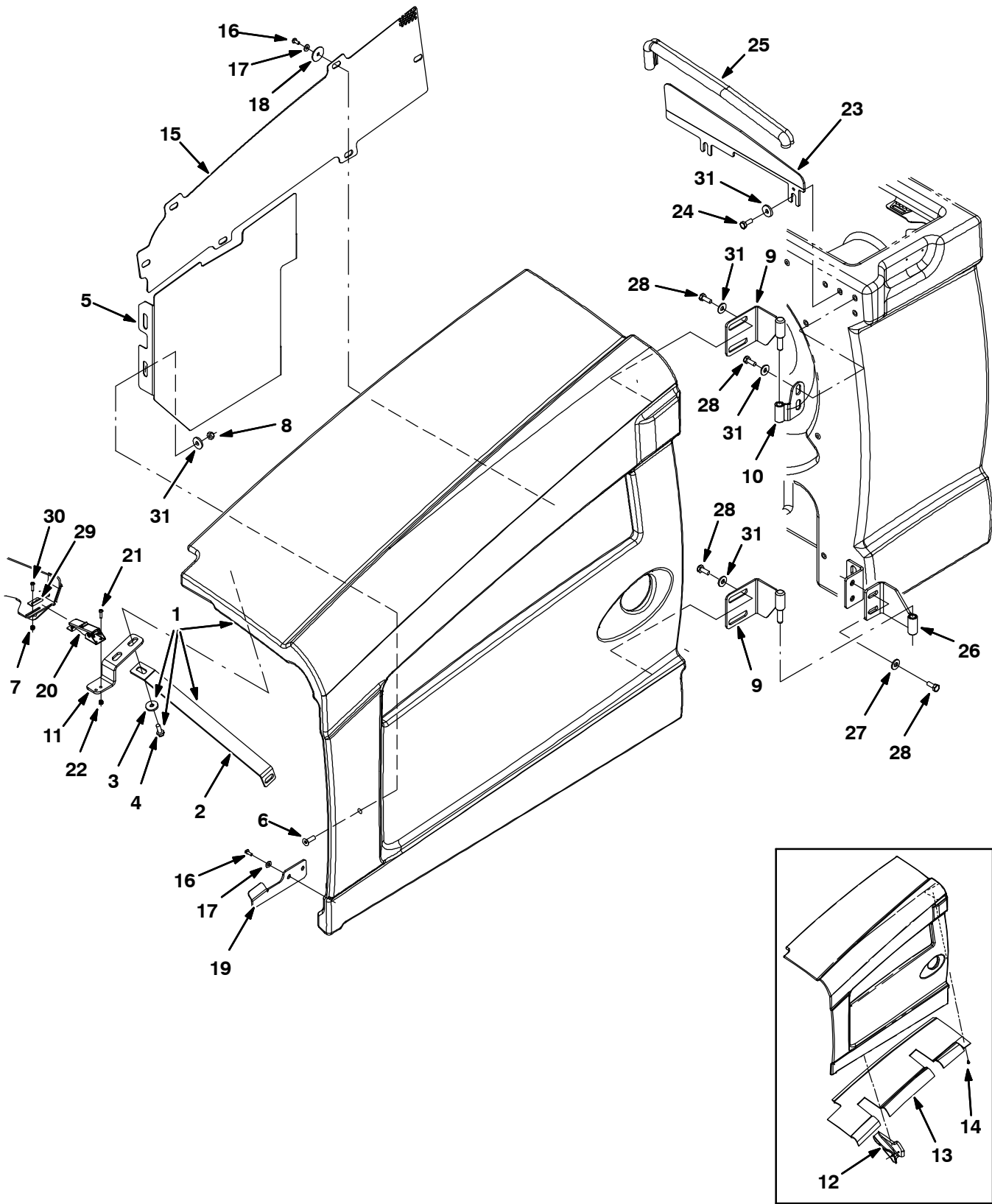


Fig. 10 - Engine Cover Group

Ref.	Part No.	Serial Number	Description	Qty.
▽	1	1033156	(000000- ) Shroud Assy, Eng	1
▲	2	1026628	(000000- ) Angle, Brace, Shrd	1
▲	3	1017218	(000000- ) Washer, Flat, 0.32b 1.00d .12, Ss	2
▲	4	16931	(000000- ) Screw, Hex, M8 X 1.25 X 20, 8.8	2
	5	1022004	(000000- ) Bracket, Shield, Heat	1
	6	74077	(000000- ) Screw, Flt, M8 X 1.25 X 25	4
	7	33932	(000000- ) Nut, Hex, Lock, M4 X 0.7, NI, Ss	2
	8	08709	(000000- ) Nut, Hex, Lock, M8 X 1.25, NI	4
	9	1024500	(000000- ) Hinge Wldt, Shrd, Lh	2
	10	1025196	(000000- ) Hinge Wldt, Shrd, Lh	2
	11	1020186	(000000- ) Bracket, Latch, Cover	1
	12	1028516	(000000-001030 ) Insulation, Shrd, Eng, Gusset	1
	13	1026665	(000000-001030 ) Insulation, Flame-Retardant, 0.5	1
	14	21168	(000000-001030 ) Clip, .250h, Plstc [Pine-Tree]	14
	15	1026726	(000000- ) Grill, Eng	1
	16	09200	(000000- ) Screw, Pan, M5 X 0.8 X 12, Ss	8
	17	19066	(000000- ) Washer, Flat, #10	8
	18	41178	(000000- ) Washer, Flat, 0.25 Fendr	6
	19	1028412	(000000- ) Bracket, Guide, Shrd	1
	20	384418	(000000- ) Latch, Door [Southco 91-562-07]	1
	21	06927	(000000- ) Screw, Pan, M4 X 0.7 X 16, 4.8	2
	22	02850	(000000- ) Nut, Hex, Lock, M4 X 0.7, NI	2
	23	1025806	(000000- ) Plate, Seal, Sound	1
	24	09740	(000000- ) Screw, Hex, M8 X 1.25 X 20, Ss	2
	25	1030588	(000000- ) Seal, Afrmkt, Bulb, 90, 0.75d F/11ga 02ft	2
	26	1024177	(000000- ) Hinge Wldt, Door	1
	27	32491	(000000- ) Washer, Flat, 0.31, Std	2
	28	16931	(000000- ) Screw, Hex, M8 X 1.25 X 20, 8.8	7
	29	384419	(000000- ) Bracket, Latch, Keeper [Southco]	1
	30	24265	(000000- ) Screw, Pan, M4 X 0.7 X 16, Ss	2
	31	1017218	(000000- ) Washer, Flat, 0.32b 1.00d .12, Ss	15

**Fig. 11 - Engine and Mount Group**

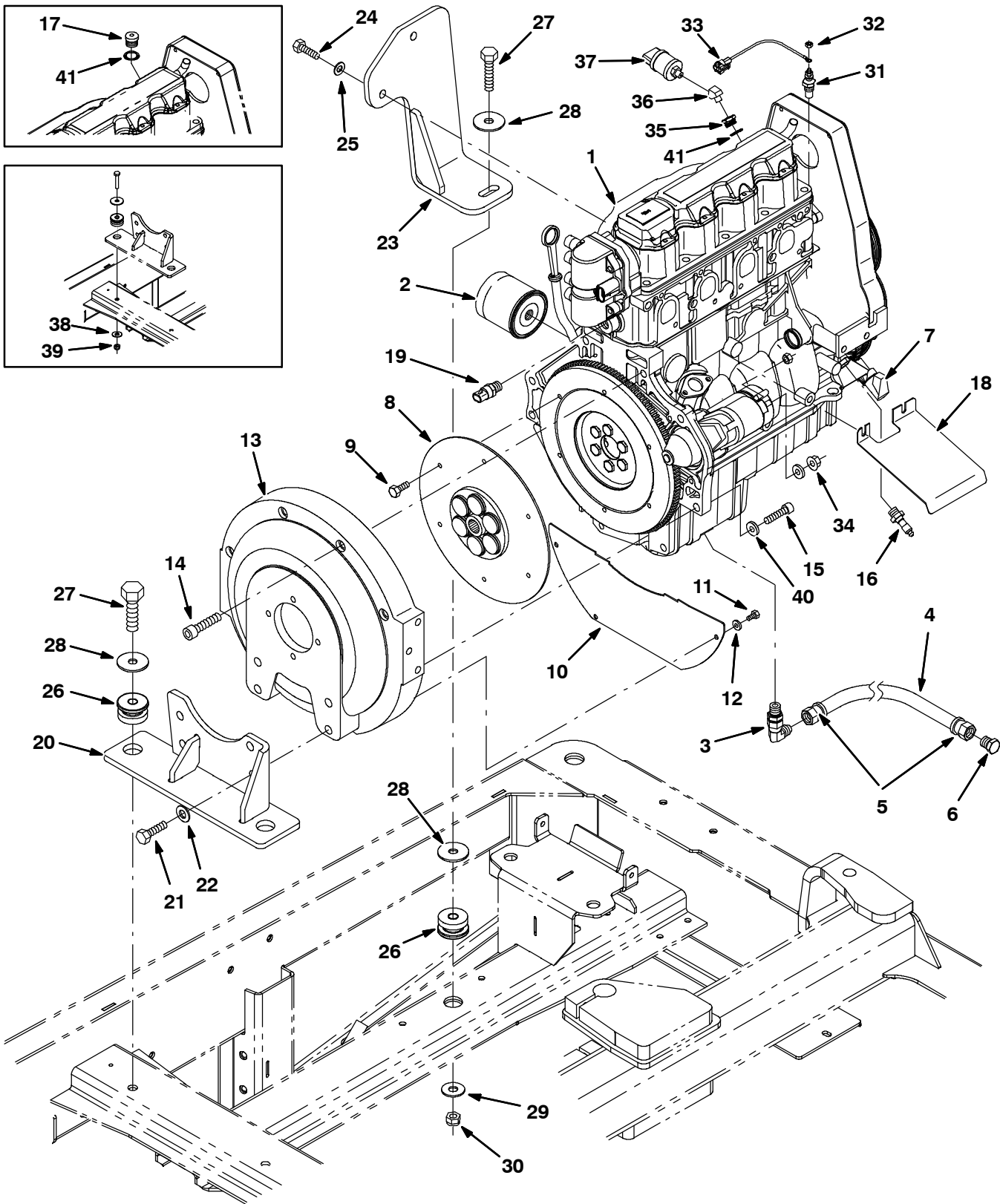




Fig. 11 - Engine and Mount Group

Ref.	Part No.	Serial Number	Description	Qty.
▽	1	372862	(000000- ) Engine [Long Block Gm 1.6l] (See Breakdown)	1
▲	2	371972	(000000- ) Element, Fltr, Oil, Eng, Spin-On	1
	3	372541	(000000- ) Fitting, E90, M14 X .56	1
	4	371855	(000000- ) Hose, Hyd, 26.0l	1
	5	371876	(000000- ) Fitting, End, Hose	2
	6	371890	(000000- ) Fitting, Pipe, Plug	1
	7	372002	(000000- ) Sensor, Position, Cshft	1
	8	371866	(000000- ) Coupling, Drive, 13t	1
	9	372554	(000000- ) Screw, Hex, M07-1.00 X 23.0, 8.8	6
	10	371868	(000000- ) Cover, Hsng, Flywheel	1
	11	19315	(000000- ) Screw, Hex, .25-20 X 0.50, 5	4
	12	32490	(000000- ) Washer, Flat, 0.25 Std	4
	13	371869	(000000- ) Housing, Pump	1
	14	371870	(000000- ) Screw, Soc, M12 X 1.75 X 55, 10.9	4
	15	10832	(000000- ) Screw, Soc, .38-16 X 1.50, Al	2
	16	371996	(000000- ) Switch, Indicator, Oil Press	1
	17	371860	(000000-001499 ) Fitting, Pipe, Plug, Metric, M18,Soc	1
	18	372556	(000000- ) Shield, Starter [1.6l]	1
	19	372953	(000000- ) Sensor, Temp, Coolant	1
	20	1023288	(000000- ) Bracket Wldt, Mtg, Eng, Back, Gas/Lpg	1
	21	39810	(000000- ) Screw, Hex, .50-13 X 1.25, 5	4
	22	32486	(000000- ) Washer, Flat, 0.50 Sae	4
	23	1011353	(000000- ) Mount Wldt, Eng, Gas/Lpg	1
	24	39283	(000000- ) Screw, Hex, M10 X 1.5 X 25, 8.8	2
	25	32485	(000000- ) Washer, Flat, 0.38 Sae	2
	26	51176	(000000- ) Isolator, Vib, .50d	3
	27	06972	(000000- ) Screw, Hex, M12 X 1.75 X 60, 8.8	3
	28	04414	(000000- ) Washer, Flat, 0.53b 1.88d .12, Stl, Pl	4
	29	32493	(000000- ) Washer, Flat, 0.50 Std	1
	30	08711	(000000- ) Nut, Hex, Lock, M12 X 1.75,NI	1
	31	1042028	(000000- ) Sensor, Temp, Water [Rework For 1.6GM]	1
	32	50335	(000000- ) Nut, Hex, Std, M5 X 0.8, 8	1
	33	1030073	(000000- ) Wire, 16ga 09.6l Brown Mp280/ #10ring	1
	34	41361	(000000- ) Nut, Hex, Std, M8 X 1.25, Brs	1
	35	1031439	(001500- ) Fitting, Pipe, Bshg, M18 X 1.5	1
	36	24976	(001500- ) Fitting, Brs, E45, Pf02/Pm02	1
	37	79399	(001500- ) Switch, Press, 0006psi Dpdt	1
	38	32493	(000000-001035 ) Washer, Flat, 0.50, Std	2
	39	08711	(000000-001035 ) Nut, Hex, Lock, M12 X 1.75,NI	2
	40	371877	(000000- ) Washer, Flat, 0.38, Hardened	2
	41	385029	(000000- ) Gasket, Plug, Relief Valve,Oil Press	1

**Fig. 12 - Engine EFI Group, Gasoline (000000-001499)**

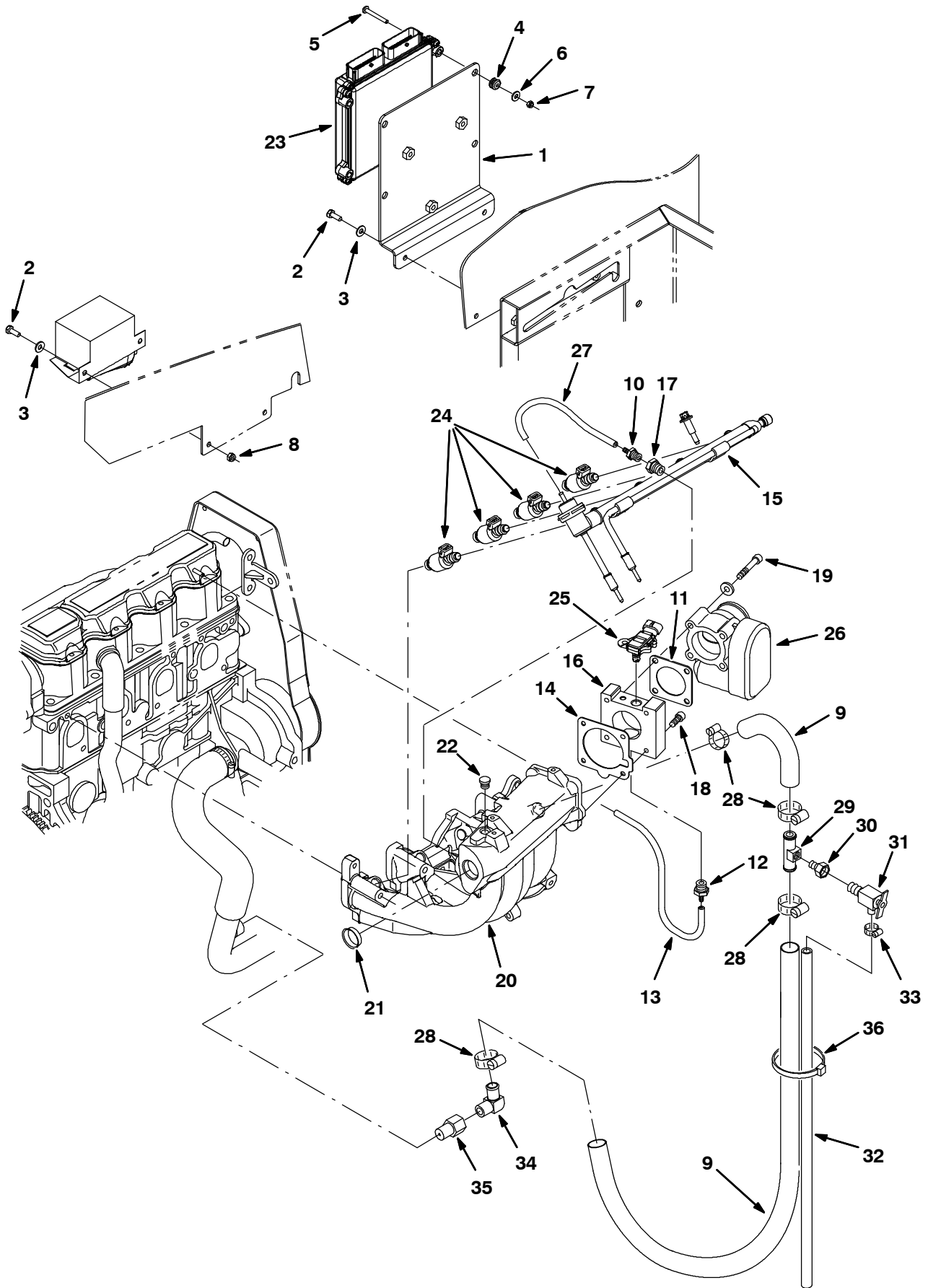


Fig. 12 - Engine EFI Group, Gasoline (000000-001499)

Ref.	Part No.	Serial Number	Description	Qty.
1	1018939	(000000-001499 )	Bracket, Mtg [Ecu]	1
2	06942	(000000-001499 )	Screw, Hex, M6 X 1.0 X 16, 8.8	4
3	32483	(000000-001499 )	Washer, Flat, 0.25 Sae	4
4	46314	(000000-001499 )	Grommet, Rbr, 0.20id, F/0.4h, .12 Matl	4
5	06938	(000000-001499 )	Screw, Pan, M5 X 0.8 X 40, 4.8	4
6	01683	(000000-001499 )	Washer, Flat, #10, Ss	8
7	06549	(000000-001499 )	Nut, Hex, Lock, M5 X 0.8, NI	4
8	08708	(000000-001499 )	Nut, Hex, Lock, M6 X 1.0, NI	2
9	1022364	(000000-001499 )	Hose, Heater	1
10	372542	(000000-001499 )	Fitting, Str, .19brb X .12mpt	1
11	372545	(000000-001499 )	Qd36Gasket, Body, Throttle [1.6l]	1
12	372543	(000000-001499 )	Fitting, Vacuum [M16-15-6h]	1
13	372489	(000000-001499 )	Hose, 9.5mm X 450mm [Pcv]	1
14	372544	(000000-001499 )	Gasket, Manifold, Intake	1
15	372566	(000000-001499 )	Rail, Injector, Gas, W/ Press Reg	1
16	372534	(000000-001499 )	Adapter, Intake, Throttle Body	1
17	372537	(000000-001499 )	Bushing, M06-1.50 X .25-27npt	1
18	06532	(000000-001499 )	Screw, Soc, M6 X 1.0 X 25, 12.9	4
19	07255	(000000-001499 )	Screw, Soc, M6 X 1.0 X 45, 12.9	4
20	372547	(000000-001499 )	Manifold, Intake [1.6l]	1
21	372549	(000000-001499 )	Plug, Manifold, Intake	1
22	372550	(000000-001499 )	Plug, Port, Sensor [Map]	1
23	372858	(000000-001499 )	Module, Ecu, Gas [Gm 1.6l]	1
24	372563	(000000-001499 )	Injector Kit, Fuel, Gas	4
25	372493	(000000-001499 )	Sensor [Tmap]	1
26	372486	(000000-001499 )	Injector Kit, Fuel, Gas	1
27	372546	(000000-001499 )	Hose, Fuel, .19	1
28	63810	(000000-001499 )	Clamp, Hose, Wormdrive, 0.56-1.06d, .56w	4
29	83578	(000000-001499 )	Tube, Air Bleed, .62d 2.2l .12npt Alm	1
30	1015930	(000000-001499 )	Fitting, Brs, Str, Pf04/Pm02	1
31	51305	(000000-001499 )	Fitting, Draincock, E90, .25npt	1
32	73471	(000000-001499 )	Hose, Pvc, Clr, 0.38id 0.56od 22.00l	1
33	43844	(000000-001499 )	Clamp, Hose, Wormdrive, 0.25-0.62d, .31w	1
34	51839	(000000-001499 )	Fitting, Brs, E90, Em10/Pm06	1
35	1015547	(000000-001499 )	Fitting, Adapter, Orifice, Pf06/Pm06	1
36	49266	(000000-001499 )	Tie, Cable, Nyl, 07.3l .19w 1.8 Max D	1

**Fig. 13 - Engine EFI Group, Gasoline (001500- )**

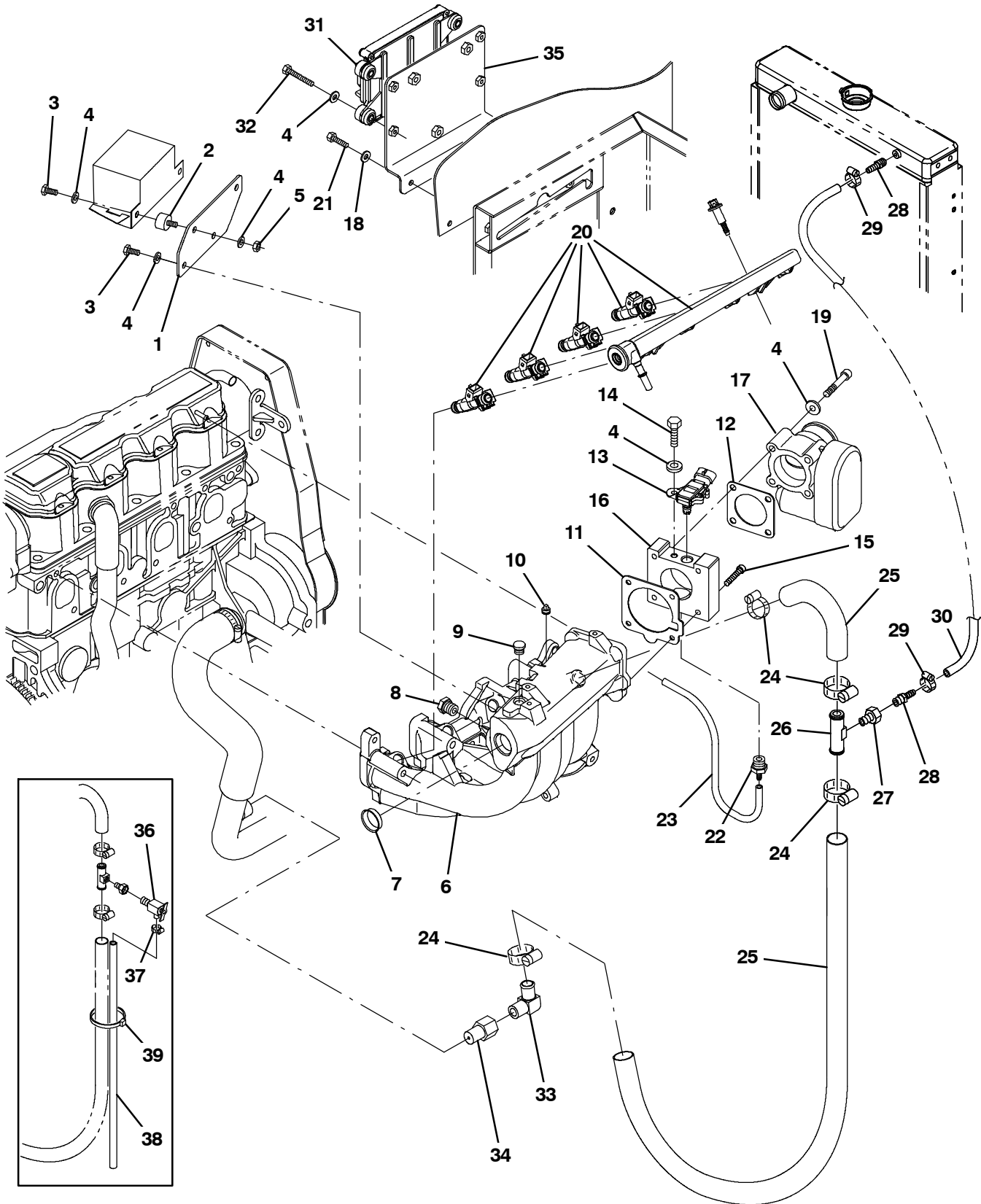


Fig. 13 - Engine EFI Group, Gasoline (001500- )

Ref.	Part No.	Serial Number	Description	Qty.	
1	1031312	(001500-	) Plate, Mtg, Relay	1	
2	372470	(001500-	) Isolator, Box, Relay	2	
3	19315	(001500-	) Screw, Hex, .25-20 X 0.50, G5	4	
4	32490	(001500-	) Washer, Flat, 0.25, Std	13	
5	19312	(001500-	) Nut, Hex, Std, .25-20	2	
6	372547	(001500-	) Manifold, Intake [1.6l]	1	
7	372549	(001500-	) Plug, Manifold, Intake	1	
8	384995	(001500-	) Fitting, Plug, M16, Intake Manifold	1	
9	372550	(001500-	) Plug, Port, Sensor [Map]	1	
10	372548	(001500-	) Plug, .12npt, Ss	1	
▽	9003390	(001500-	) Gasket Kit, Repair, Gas [Gm1.6l 2007]	1	
▲	11	372544	(001500-	) Gasket, Manifold, Intake	1
▲	12	372545	(001500-	) Gasket, Body, Throttle [1.6l]	1
13	384985	(001500-	) Sensor [T Map]	1	
14	19317	(001500-	) Screw, Hex, .25-20 X 0.75, G5	1	
15	06532	(001500-	) Screw, Soc, M6 X 1.00 X 25, 12.9	4	
16	372534	(001500-	) Adapter, Intake, Throttle Body	1	
17	384974	(001500-	) Housing, Throttle, 40mm [Bosch]	1	
18	32483	(001500-	) Washer, Flat, 0.25, Sae	2	
19	07255	(001500-	) Screw, Soc, M6 X 1.00 X 45, 12.9	4	
20	384992	(001500-	) Rail, Injector, Fuel, Plstc	1	
21	06942	(001500-	) Screw, Hex, M6 X 1.00 X 16, 8.8	2	
22	372543	(001500-	) Fitting, Vacuum [M16-15-6h]	1	
23	384972	(001500-	) Hose, Vacuum, 0.22id X 03.0l	1	
24	63810	(001500-	) Clamp, Hose, Wormdrive, 0.56-1.06d, .56w	4	
25	1022364	(001500-	) Hose, Heater	1	
26	83578	(001500-	) Tube, Bleed, Air, .62od 2.2l .12npt, Alm	1	
27	1015930	(001500-	) Fitting, Brs, Str, Pf04/Pm02	2	
28	150516	(001720-	) Fitting, Brs, Str, Bm06/Pm05	2	
29	54333	(001720-	) Clamp, Hose, Wormdrive, 0.31-0.88d, .31w	2	
30	1043481	(001720-	) Hose, Heater, 0.38ID	1	
31	1028711	(001500-	) Module, Ecu, Gas [Gm1.6l 2700]	1	
32	06946	(001500-	) Screw, Hex, M6 X 1.00 X 35, 8.8	1	
33	51839	(001500-	) Fitting, Brs, E90, Em10/Pm06	1	
34	1015547	(001500-	) Fitting, Adapter, Orifice, Pf06/Pm06	1	
35	1029082	(001500-	) Bracket, Mtg, Ecu [M20/T20 2007]	1	
36	51305	(001500-001719	) Fitting, Draincock, E90, .25npt	1	
37	43844	(001500-001719	) Clamp, Hose, Wormdrive, 0.25-0.62d, .31w	1	
38	73471	(001500-001719	) Hose, Pvc, Clr, 0.38id 0.56od 022.0l	1	
39	49266	(001500-001719	) Tie, Cable, Nyl, 07.3l .19w 1.8 Max D	1	

**Fig. 14 - Engine EFI Group, LPG (000000-001499)**

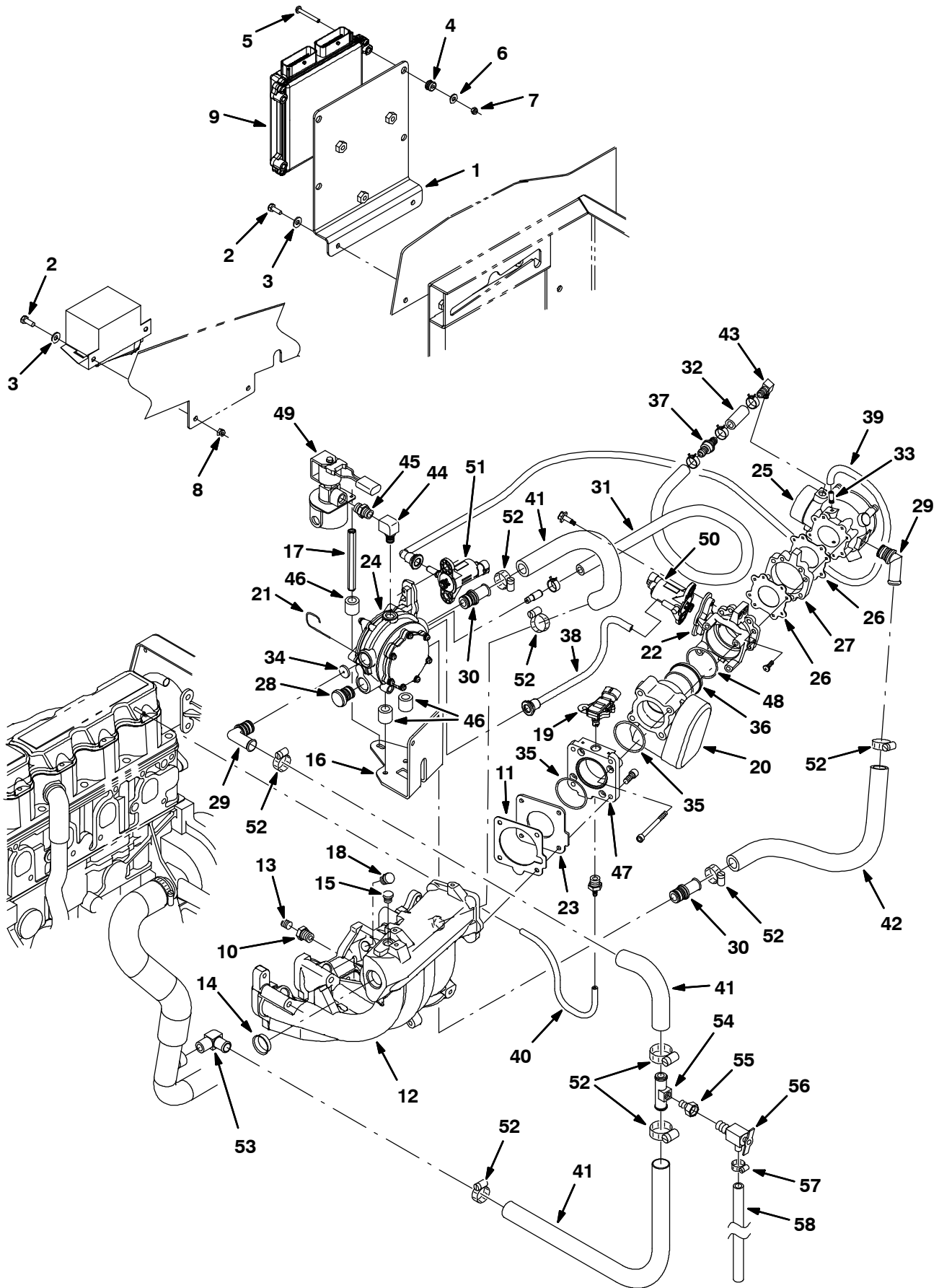


Fig. 14 - Engine EFI Group, LPG (000000-001499)

Ref.	Part No.	Serial Number	Description	Qty.	
1	1018939	(000000-001499 )	Bracket, Mtg [Ecu]	1	
2	06942	(000000-001499 )	Screw, Hex, M6 X 1.0 X 16, 8.8	4	
3	32483	(000000-001499 )	Washer, Flat, 0.25 Sae	4	
4	46314	(000000-001499 )	Grommet, Rbr, 0.20id, F/0.4h, .12 Matl	4	
5	06938	(000000-001499 )	Screw, Pan, M5 X 0.8 X 40, 4.8	4	
6	01683	(000000-001499 )	Washer, Flat, #10, Ss	8	
7	06549	(000000-001499 )	Nut, Hex, Lock, M5 X 0.8, NI	4	
8	08708	(000000-001499 )	Nut, Hex, Lock, M6 X 1.0, NI	2	
9	372857	(000000-001499 )	Module, Ecu, Lpg [Gm 1.6l]	1	
10	372537	(000000-001499 )	Bushing, M06-1.50 X .25-27npt	1	
11	372544	(000000-001499 )	Gasket, Manifold, Intake	1	
12	372547	(000000-001499 )	Manifold, Intake [1.6l]	1	
13	372548	(000000-001499 )	Plug, .12npt, Ss	1	
14	372549	(000000-001499 )	Plug, Manifold, Intake	1	
15	372550	(000000-001499 )	Plug, Port, Sensor [Map]	1	
16	372576	(000000-001499 )	Bracket, Reg [1.6l]	1	
17	372577	(000000-001499 )	Spacer, Sppt, Fltr Lock Off	1	
18	372579	(000000-001499 )	Plug, Hole, Injector	<del>1</del> 4	
19	372493	(000000-001499 )	Sensor [Tmap]	1	
20	372482	(000000-001499 )	Housing, Throttle, 40mm [Bosch]	1	
21	372523	(000000-001499 )	Pin, Retainer	5	
22	372580	(000000-001499 )	Adapter, Valve, Fuel Trim	1	
23	372582	(000000-001499 )	Adapter, Plate	1	
24	372500	(000000-001499 )	Converter, Lpg	1	
25	372898	(000000-001499 )	Mixer, Lpg [Gm 1.6l]	1	
26	372608	(000000-001499 )	Gasket	2	
27	372612	(000000-001499 )	Adapter, Throttle Body	1	
28	372515	(000000-001499 )	Fitting, Cap	1	
29	372512	(000000-001499 )	Fitting, E70	2	
30	372514	(000000-001499 )	Fitting, Str	2	
31	372506	(000000-001499 )	Hose, Balancing, Press, 680mm	1	
32	372507	(000000-001499 )	Hose, Balancing, Press, 045mm	1	
33	372511	(000000-001499 )	Fitting, Hose, Vacuum, .25	1	
34	372517	(000000-001499 )	Restrictor, Jet, Coolant	1	
35	372484	(000000-001499 )	Seal, Org	1	
36	372498	(000000-001499 )	Sleeve, Throttle, Plstc [Bosch]	1	
37	372569	(000000-001499 )	Valve, Check	1	
38	372609	(000000-001499 )	Hose, 170mm [Ftv-Ptv]	1	
39	372605	(000000-001499 )	Hose, Valve, Press Trim, 350mm	1	
40	372607	(000000-001499 )	Hose, 9.5mm X 290mm [Pcv]	1	
41	372528	(000000-001499 )	Hose, Mold, .62 To .75	1	
42	372606	(000000-001499 )	Hose, 355mm [Fl-Vrp]	1	
43	372510	(000000-001499 )	Fitting, E90	1	
44	372611	(000000-001499 )	Fitting, Str, E90, .25npt	1	
45	372610	(000000-001499 )	Fitting, Nipple, .25npt, Brs	1	
46	372518	(000000-001499 )	Isolator, Mtg, Vaporizer, Rbr	3	
47	372558	(000000-001499 )	Adapter [1.6]	1	
48	372613	(000000-001499 )	Seal, Org, Throttle Body	1	
▽	49	372503	(000000-001499 )	Valve, Fuelock, Lpg, Wire Connector	1
▲		372615	(000000-001499 )	Filter Kit, Fuelock, Lpg	1

**Fig. 14 - Engine EFI Group, LPG (000000-001499)**

<b>Ref.</b>	<b>Part No.</b>	<b>Serial Number</b>	<b>Description</b>	<b>Qty.</b>
50	372501	(000000-001499 )	Valve, Trim, Fuel, Normal Flow	1
51	372497	(000000-001499 )	Valve, Body, Throttle, Lpg	1
52	63810	(000000-001499 )	Clamp, Hose, Wormdrive, 0.56-1.06d, .56w	9
53	51839	(000000-001499 )	Fitting, Brs, E90, Em10/Pm06	1
54	83578	(000000-001499 )	Tube, Air Bleed, .62d 2.2l .12npt Alm	1
55	1015930	(000000-001499 )	Fitting, Brs, Str, Pf04/Pm02	1
56	51305	(000000-001499 )	Fitting, Draincock, E90, .25npt	1
57	43844	(000000-001499 )	Clamp, Hose, Wormdrive, 0.25-0.62d, .31w	1
58	73471	(000000-001499 )	Hose, Pvc, Clr, 0.38id 0.56od 22.00l	1





Fig. 15 - Engine EFI Group, LPG (001500- )

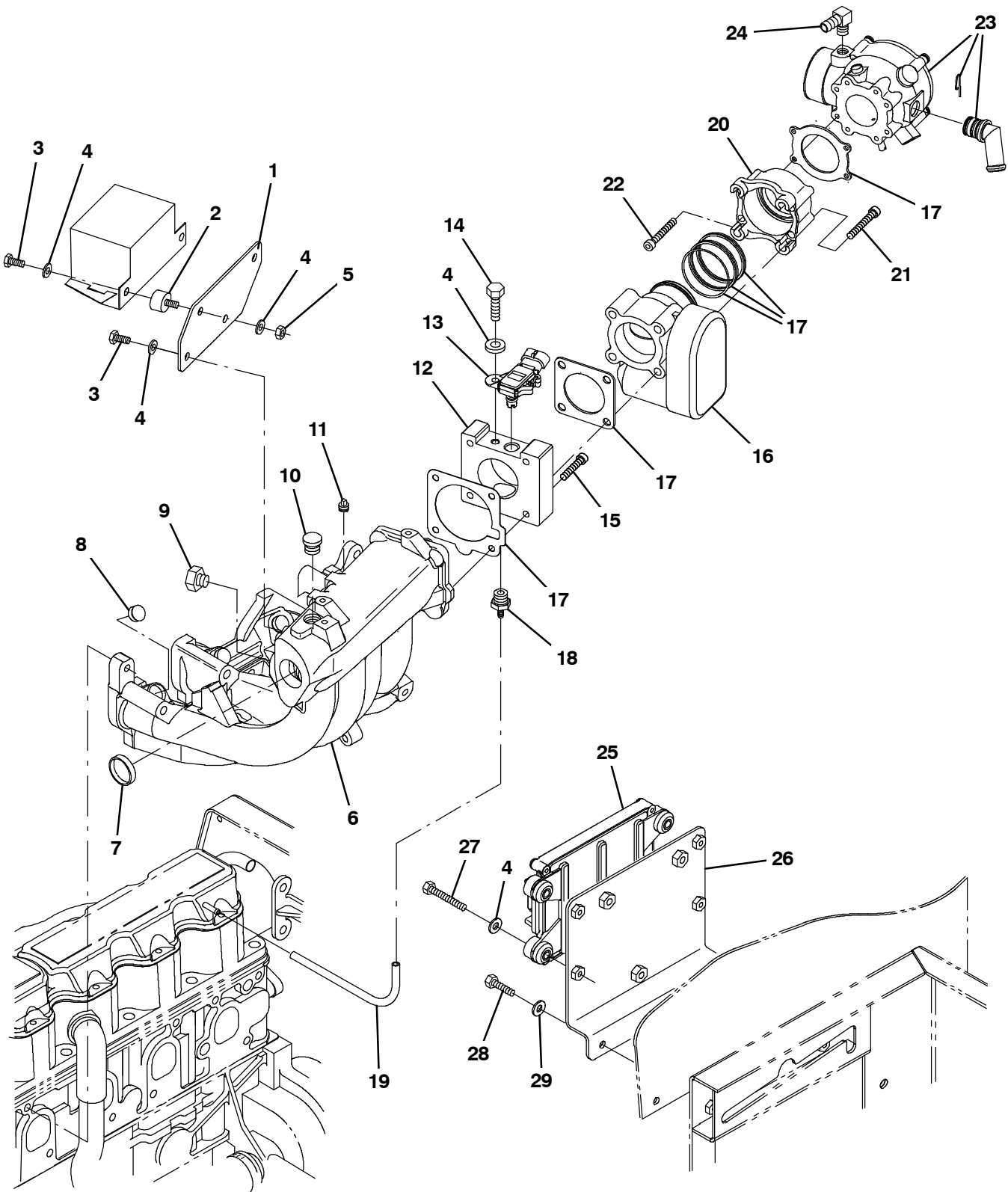


Fig. 15 - Engine EFI Group, LPG (001500- )

Ref.	Part No.	Serial Number	Description	Qty.
1	1031312	(001500-	) Plate, Mtg, Relay	1
2	372470	(001500-	) Isolator, Box, Relay	2
3	19315	(001500-	) Screw, Hex, .25-20 X 0.50, G5	4
4	32490	(001500-	) Washer, Flat, 0.25, Std	9
5	19312	(001500-	) Nut, Hex, Std, .25-20	2
6	372547	(001500-	) Manifold, Intake [1.6l]	1
7	372549	(001500-	) Plug, Manifold, Intake	1
8	372579	(001500-	) Plug, Hole, Injector	4
9	384995	(001500-	) Fitting, Plug, M16, Intake Manifold	1
10	372550	(001500-	) Plug, Port, Sensor [Map]	1
11	372548	(001500-	) Plug, .12npt, Ss	1
12	372534	(001500-	) Adapter, Intake, Throttle Body	1
13	384985	(001500-	) Sensor [T Map]	1
14	19317	(001500-	) Screw, Hex, .25-20 X 0.75, G5	1
15	06532	(001500-	) Screw, Soc, M6 X 1.00 X 25, 12.9	4
16	384974	(001500-	) Housing, Throttle, 40mm [Bosch]	1
17	9003391	(001500-	) Gasket Kit, Repair, Lpg [Gm1.6l 2007]	1
18	372543	(001500-	) Fitting, Vacuum [M16-15-6h]	1
19	384972	(001500-	) Hose, Vacuum, 0.22id X 03.0l	1
20	384996	(001500-	) Adapter, Valve, 400mm [Bosch]	1
21	09037	(001500-	) Screw, Soc, M8 X 1.25 X 70, 12.9	4
22	384991	(001500-	) Bolt, Soc Head, M5 X 80 X 35	4
23	384980	(001500-	) Mixer, W/70deg Ftg	1
24	384976	(001500-	) Fitting, E90	1
25	1028722	(001500-	) Module, Ecu, Lpg [Gm1.6l 2700]	1
26	1029082	(001500-	) Bracket, Mtg, Ecu	1
27	06946	(001500-	) Screw, Hex, M6 X 1.00 X 35, 8.8	4
28	06942	(001500-	) Screw, Hex, M6 X 1.00 X 16, 8.8	2
29	32483	(001500-	) Washer, Flat, 0.25, Sae	2

**Fig. 16 - Engine Vaporizer Group, LPG (001500- )**

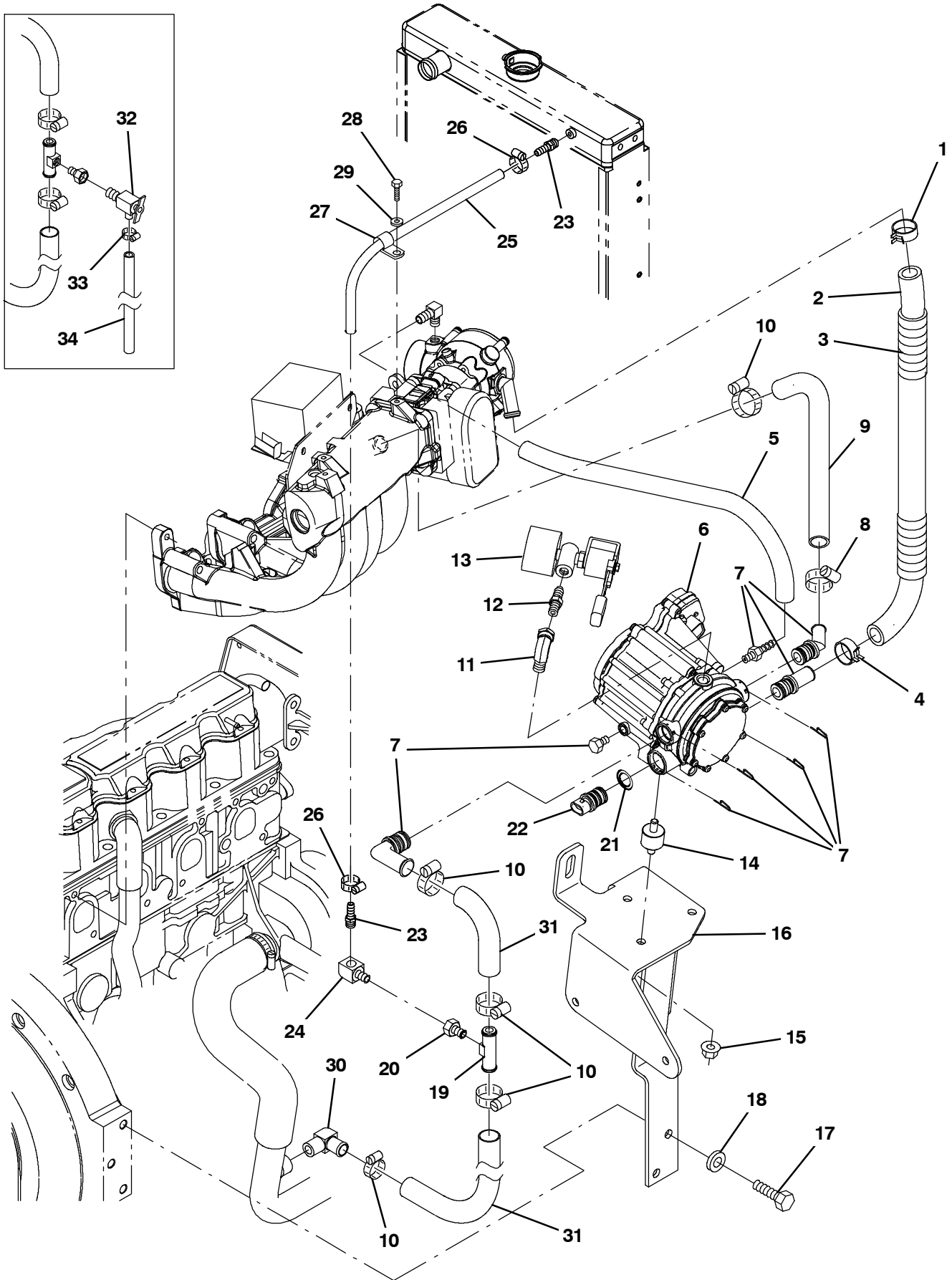


Fig. 16 - Engine Vaporizer Group, LPG (001500- )

Ref.	Part No.	Serial Number	Description	Qty.	
1	384970	(001500-	) Clamp, Hose, Spring, 0.75d	1	
2	384983	(001500-	) Hose [Mixer To Epr]	1	
3	384971	(001500-	) Cover, Hose	1	
4	384979	(001500-	) Clamp, Hose, Spring, 0.62d	1	
5	384973	(001500-	) Hose, Supply, Gas, .25id	1	
6	384977	(001500-	) Regulator [Ep]	1	
7	384978	(001500-	) Fitting Kit [Epr]	1	
8	372539	(001500-	) Clamp, Hose, 1.0	1	
9	384984	(001500-	) Hose [Epr To Manifold]	1	
10	63810	(001500-	) Clamp, Hose, Wormdrive, 0.56-1.06d, .56w	5	
11	11442-1	(001500-	) Fitting, Hyd, E90, Spcl	1	
12	372529	(001500-	) Fitting, Nipple, .25mal	1	
▽	13	384975	(001500-	) Valve, Lock Off	1
▲		372615	(001500-	) Filter Kit, Fuelock, Lpg	1
14	384986	(001500-	) Isolator [Epr]	3	
15	07791	(001500-	) Nut, Hex, Flng, M8 X 1.25	3	
16	1028343	(001500-	) Bracket Wldt, Mtg, Regulator, Lpg	1	
17	371770	(001500-	) Screw	2	
18	371877	(001500-	) Washer, Flat, 0.38, Hardened	2	
19	83578	(001500-	) Tube, Bleed, Air, .62od 2.2l .12npt, Alm	1	
20	1015930	(001500-	) Fitting, Brs, Str, Pf04/Pm02	1	
21	1041151	(001500-	) Seal, Org, Sensor, Temp [Epr]	1	
22	1041152	(001500-	) Sensor, Temp [Epr]	1	
23	150516	(001720-	) Fitting, Brs, Str, Bm06/Pm05	2	
24	27048	(001720-	) Fitting, Brs, E90, Pf04/Pm04	1	
25	1043481	(001720-	) Hose, Heater, 0.38id	1	
26	54333	(001720-	) Clamp, Hose, Wormdrive, 0.31-0.88d, .31w	2	
27	67767	(001720-	) Clamp, Cable, Stl, 0.69d X 0.62w, 1hole	1	
28	06942	(001720-	) Screw, Hex, M6 X 1.00 X 16, 8.8	1	
29	32490	(001720-	) Washer, Flat, 0.25, Std	1	
30	51839	(001500-	) Fitting, Brs, E90, Em10/Pm06	1	
31	372528	(001500-	) Hose, Mold, .62 To .75 (Cut in 2)	1	
32	51305	(001500-001719 )	Fitting, Draincock, E90, .25npt	1	
33	43844	(001500-001719 )	Clamp, Hose, Wormdrive, 0.25-0.62d, .31w	1	
34	73471	(001500-001719 )	Hose, Pvc, Clr, 0.38id 0.56od 022.0l	1	

**Fig. 17 - Engine Fuel Tank Group, Gasoline (000000-001499)**

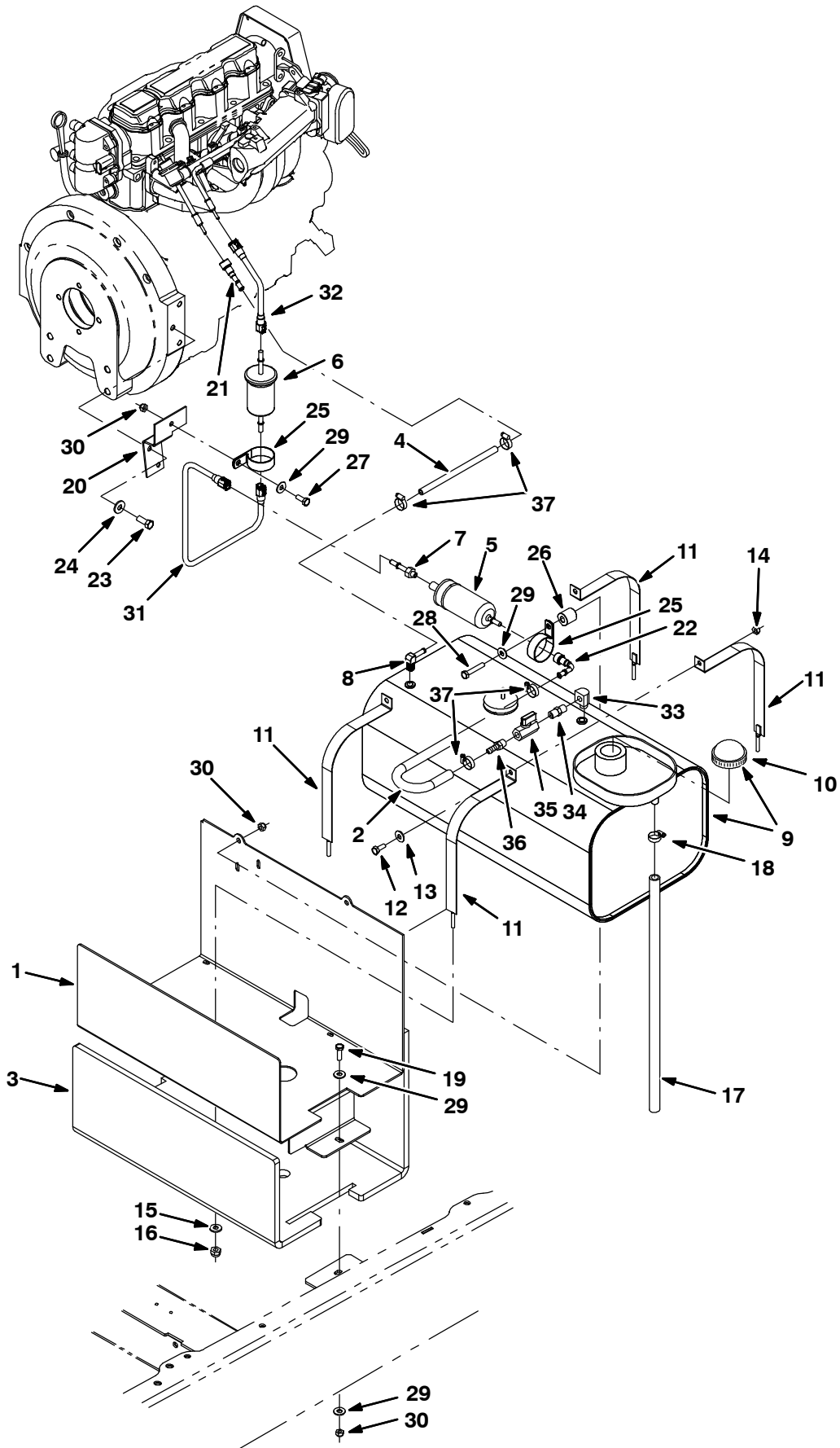


Fig. 17 - Engine Fuel Tank Group, Gasoline (000000-001499)

Ref.	Part No.	Serial Number	Description	Qty.	
1	1026550	(000000-001499 )	Tray Wldt, Fuel	1	
2	87730	(000000-001499 )	Hose, Fuel, 0.31id 12.0l	1	
3	1026759	(000000-001499 )	Insulation, Flame-Retardant, 0.5	1	
4	1012160	(000000-001499 )	Hose, Fuel, 0.31id 24.0l	1	
5	1011107	(000000-001499 )	Pump, Fuel, Hi Press [Gm 1.6l/3.0l]	1	
6	372440	(000000-001499 )	Filter, Fuel [Gm 1.6l/3.0l]	1	
7	1013086	(000000-001499 )	Connector, Fuel, Qf	1	
8	9000355	(000000-001499 )	Fitting, Brs, E90, Em05/Pm04	1	
▽	9	9002395	(000000-001499 )	Tank, Fuel, 11.26Gal, gas, Replmt	1
▲	10	48267	(000000-001499 )	Cap, Tank, Fuel, 2.3neck 2.6d	1
▲		1039521	(000000-001999 )	Send-Unit, Fuel	1
	11	1025229	(000000-001499 )	Strap, Tank, Gas	4
	12	39277	(000000-001499 )	Screw, Hex, M8 X 1.25 X 25, 8.8	2
	13	32491	(000000-001499 )	Washer, Flat, 0.31, Std	2
	14	08709	(000000-001499 )	Nut, Hex, Lock, M8 X 1.25, NI	2
	15	32483	(000000-001499 )	Washer, Flat, 0.25 Sae	4
	16	32981	(000000-001499 )	Nut, Hex, Lock, .25-20, NI	4
	17	1023482	(000000-001499 )	Hose, Fuel, 0.50id 21.0l	1
	18	54333	(000000-001499 )	Clamp, Hose, Wormdrive, 0.31-0.88d, .31w	1
	19	39277	(000000-001499 )	Screw, Hex, M8 X 1.25 X 25, 8.8	2
	20	1019416	(000000-001499 )	Bracket, Mtg, Fuel	1
	21	1013086	(000000-001499 )	Connector, Fuel, Qf	1
	22	1019939	(000000-001499 )	Connector, Fuel, E90, Qf	1
	23	21197	(000000-001499 )	Screw, Hex, .38-16 X 1.00, 5	2
	24	32492	(000000-001499 )	Washer, Flat, 0.38 Std	2
	25	1011895	(000000-001499 )	Clamp, Cable, Stl, 2.00d X 0.75w, 1 Hole	2
	26	383912	(000000-001499 )	Sleeve, P/M, 0.43b 1.00d 1.0l, Stl	1
	27	16931	(000000-001499 )	Screw, Hex, M8 X 1.25 X 20, 8.8	1
	28	06956	(000000-001499 )	Screw, Hex, M8 X 1.25 X 45, 8.8	1
	29	32491	(000000-001499 )	Washer, Flat, 0.31, Std	6
	30	08709	(000000-001499 )	Nut, Hex, Lock, M8 X 1.25, NI	4
	31	1026664	(000000-001499 )	Fuelline, .31d Str/Str, Plstc	1
	32	1019394	(000000-001499 )	Fuelline, .31d Str/Str, Plstc	1
	33	27048	(000000-001499 )	Fitting, Brs, E90, Pf04/Pm04	1
	34	398468	(000000-001499 )	Fitting, Brs, Str, Pm04/Pm04	1
	35	1019940	(000000-001499 )	Valve, Ball, 04pf, Chm W/ Handle	1
	36	392629	(000000-001499 )	Fitting, Brs, Str, Bm05/Pm04	1
	37	54333	(000000-001499 )	Clamp, Hose, Wormdrive, 0.31-0.88d, .31w	4

**Fig. 18 - Engine Fuel Tank Group, Gasoline (001500- )**

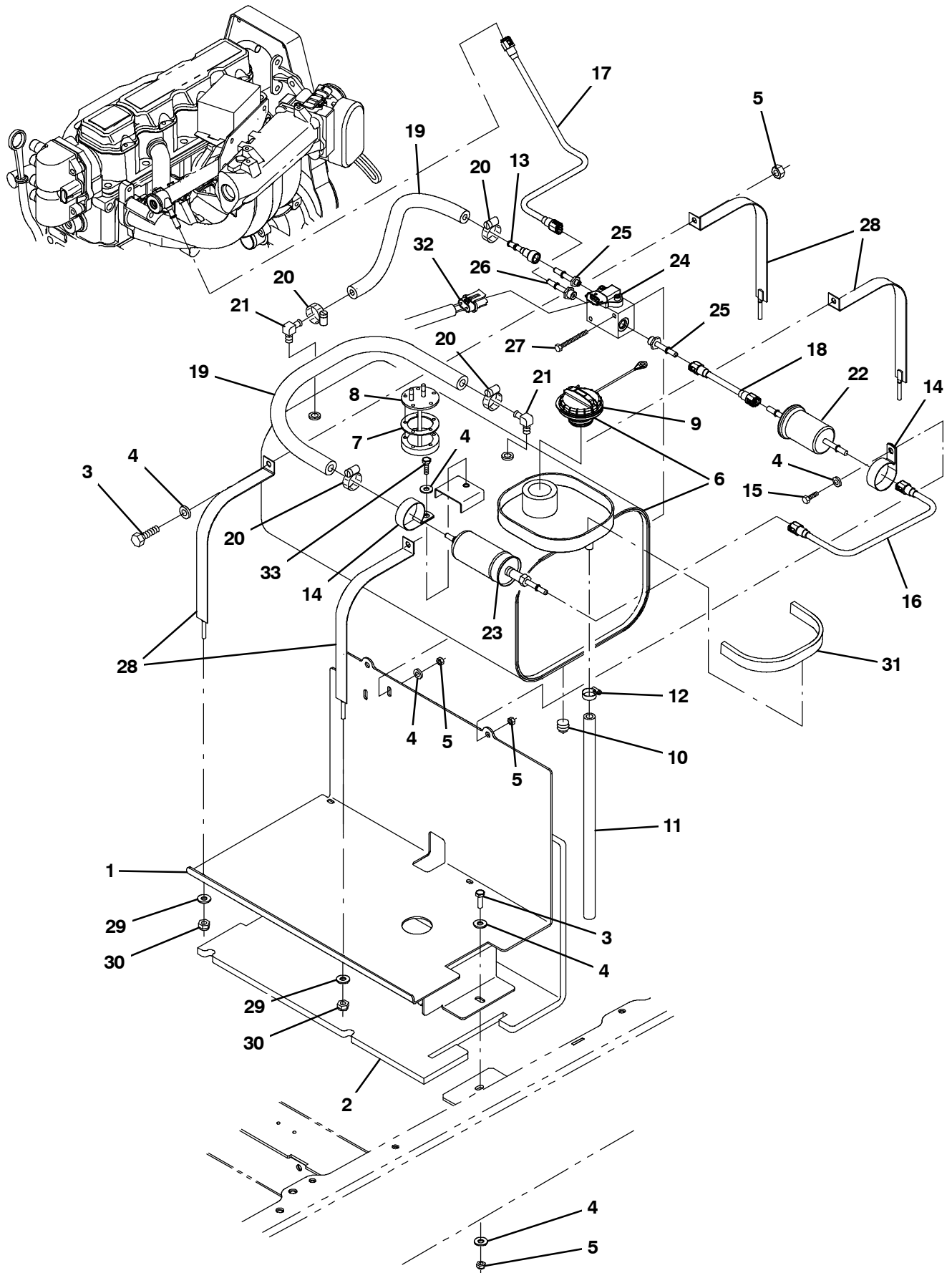




Fig. 18 - Engine Fuel Tank Group, Gasoline (001500- )

Ref.	Part No.	Serial Number	Description	Qty.	
1	1026550	(001500-	) Tray Wildt, Fuel	1	
2	1026759	(001500-	) Insulation, Flame-Retardant, 0.5	1	
3	39277	(001500-	) Screw, Hex, M8 X 1.25 X 25, 8.8	4	
4	32491	(001500-	) Washer, Flat, 0.31, Std	8	
5	08709	(001500-	) Nut, Hex, Lock, M8 X 1.25, NI	5	
▽	6	9003610	(001500-	) Tank, Fuel, 11.2gal, Gas, Replmt [2007]	1
▲	7	1033897	(001500-	) Gasket, Sender, Fuel	1
▲	8	1033901	(001500-	) Send-Unit, Fuel [2007]	1
▲	9	1032812	(001500-	) Cap, Fuel, Tank	1
▲	10	48126	(001500-	) Fitting, Pipe, Plug, Pm02, Sq Head	1
	11	1023482	(001500-	) Hose, Fuel, 0.50id, 21.0l	1
	12	54333	(001500-	) Clamp, Hose, Wormdrive, 0.31-0.88d, .31w	1
	13	1013086	(001500-	) Connector, Fuel, Qf	2
	14	1011895	(001500-	) Clamp, Cable, Stl, 2.00d X 0.75w, 1hole	2
	15	06956	(001500-	) Screw, Hex, M8 X 1.25 X 45, 8.8	2
	16	1034676	(001500-	) Fuelline, .31d Str/Str,Plstc[M20/T20 07]	1
	17	1034655	(001500-	) Fuelline, .31d Str/Str,Plstc[M20/T20 07]	1
	18	1012248	(001500-	) Fuelline, .31d Str/Str, Plstc	1
	19	1033746	(001500-	) Hose, Fuel, 0.31id [Evap Emission 07]	2
	20	54333	(001500-	) Clamp, Hose, Wormdrive, 0.31-0.88d, .31w	4
	21	9000355	(001500-	) Fitting, Brs, E90, Em05/Pm04	2
	22	372440	(001500-	) Filter, Fuel [Gm 1.6l/3.0l]	1
	23	1011107	(001500-	) Pump, Fuel, Hi Press [Gm 1.6l/3.0l]	1
	24	1028924	(001500-	) Manifold, Gas, Relief, Valve	1
	25	1029293	(001500-	) Fitting, Fuel, Str, 0.56-18 [07 Eng]	2
	26	1029295	(001500-	) Fitting, Fuel, Str, 0.38-24 [07 Eng]	1
	27	06949	(001500-	) Screw, Hex, M6 X 1.0 X 50, 8.8	2
	28	1025229	(001500-	) Strap, Tank, Gas	4
	29	32483	(001500-	) Washer, Flat, 0.25, Sae	4
	30	32981	(001500-	) Nut, Hex, Lock, .25-20, NI	4
	31	62595-15	(001500-	) Molding, Trim, Pvc, .08-.11 13.2l	1
	32	385009	(001500-	) Harness, Manifold, Gas	1
	33	16931	(001500-	) Screw, Hex, M8 X 1.25 X 20, 8.8	1

**Fig. 19 - Engine Fuel Tank Group, LPG**

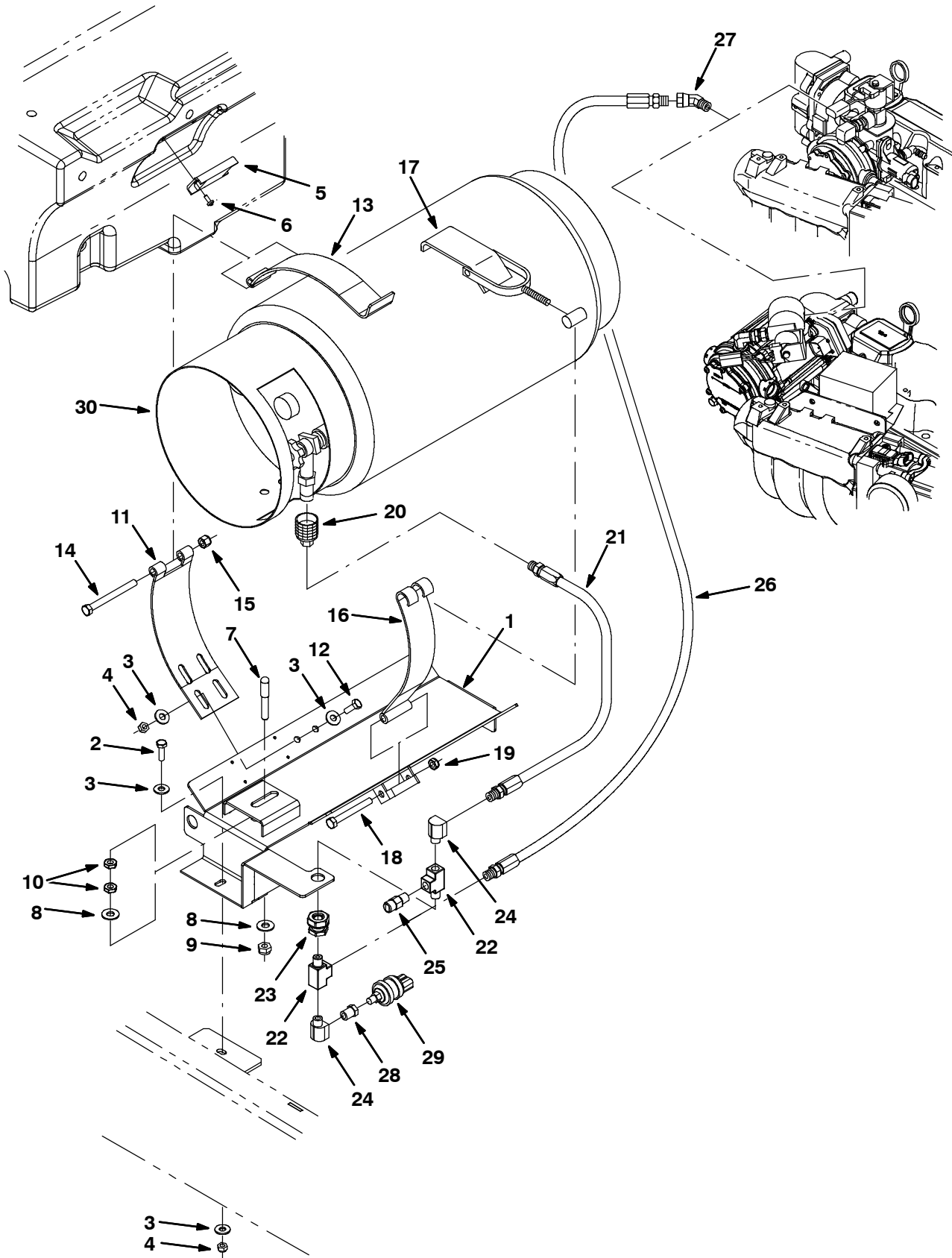


Fig. 19 - Engine Fuel Tank Group, LPG

Ref.	Part No.	Serial Number	Description	Qty.
1	1017947	(000000-	) Tray Wldt, Lpg	1
2	39277	(000000-	) Screw, Hex, M8 X 1.25 X 25, 8.8	2
3	32491	(000000-	) Washer, Flat, 0.31, Std	8
4	08709	(000000-	) Nut, Hex, Lock, M8 X 1.25, NI	4
5	63378	(000000-	) Magnet, Drive Brush	1
6	09200	(000000-	) Screw, Pan, M5 X 0.8 X 12, Ss	2
7	1024934	(000000-	) Pin, Locating, Lpg	1
8	32492	(000000-	) Washer, Flat, 0.38 Std	2
9	41430	(000000-	) Nut, Hex, Lock, M10 X 1.5, NI	1
10	32716	(000000-	) Nut, Hex, Jam, M10 X 1.5, Ss	2
11	58589	(000000-	) Strap, Mtg, Tank, Lpg	1
12	16931	(000000-	) Screw, Hex, M8 X 1.25 X 20, 8.8	2
13	57297	(000000-	) Strap, Mtg, Tank, Lpg, Hinge	1
14	35710	(000000-	) Screw, Hex, .38-16 X 3.75, 5	1
15	59156	(000000-	) Nut, Hex, Lock, .38-16, NI, Ss	1
16	58590	(000000-	) Strap, Mtg, Tank, Lpg	1
17	53400-1	(000000-	) Latch Assy, Mtg, Tank, Lpg, W/Nut	1
18	35707	(000000-	) Screw, Hex, .38-16 X 3.00, 5	1
19	36643	(000000-	) Nut, Hex, Lock, .38-16, NI, Thin	1
20	26496	(000000-	) Fitting, Brs, Qdc, Pf04, Lpg Fem	1
21	22308-6	(000000-	) Hose, Lpg, Med05, Pm04str/Sm04str, 14.0l	1
22	56976A	(000000-	) Fitting, Hyd, Tee, Pf04/Pf04/Pm04, Run	2
23	78122	(000000-	) Fitting, Brs, Str, Pf04/Pf04, Bh	1
24	27048	(000000-	) Fitting, Brs, E90, Pf04/Pm04	2
25	24047	(000000-	) Valve, Lpg, Press Relief [Rego]	1
26	19760	(000000-	) Hose, Lpg, Med05, Pm04str/Sm04str, 55.0l	1
27	392645	(000000-	) Fitting, Pipe, E45, Spcl	1
28	17414	(000000-	) Fitting, Hyd, Str, Pf02/Pm04	1
29	23156	(000000-	) Switch, Press, 12vdc 08a Spst Nc 0070psi	1
30	24928-1	(000000-	) Tank, Lpg, 33lb, W/ Gauge [Empty, Liq]	1

Fig. 20 - Engine Air Cleaner Group, Gasoline (000000-001499)

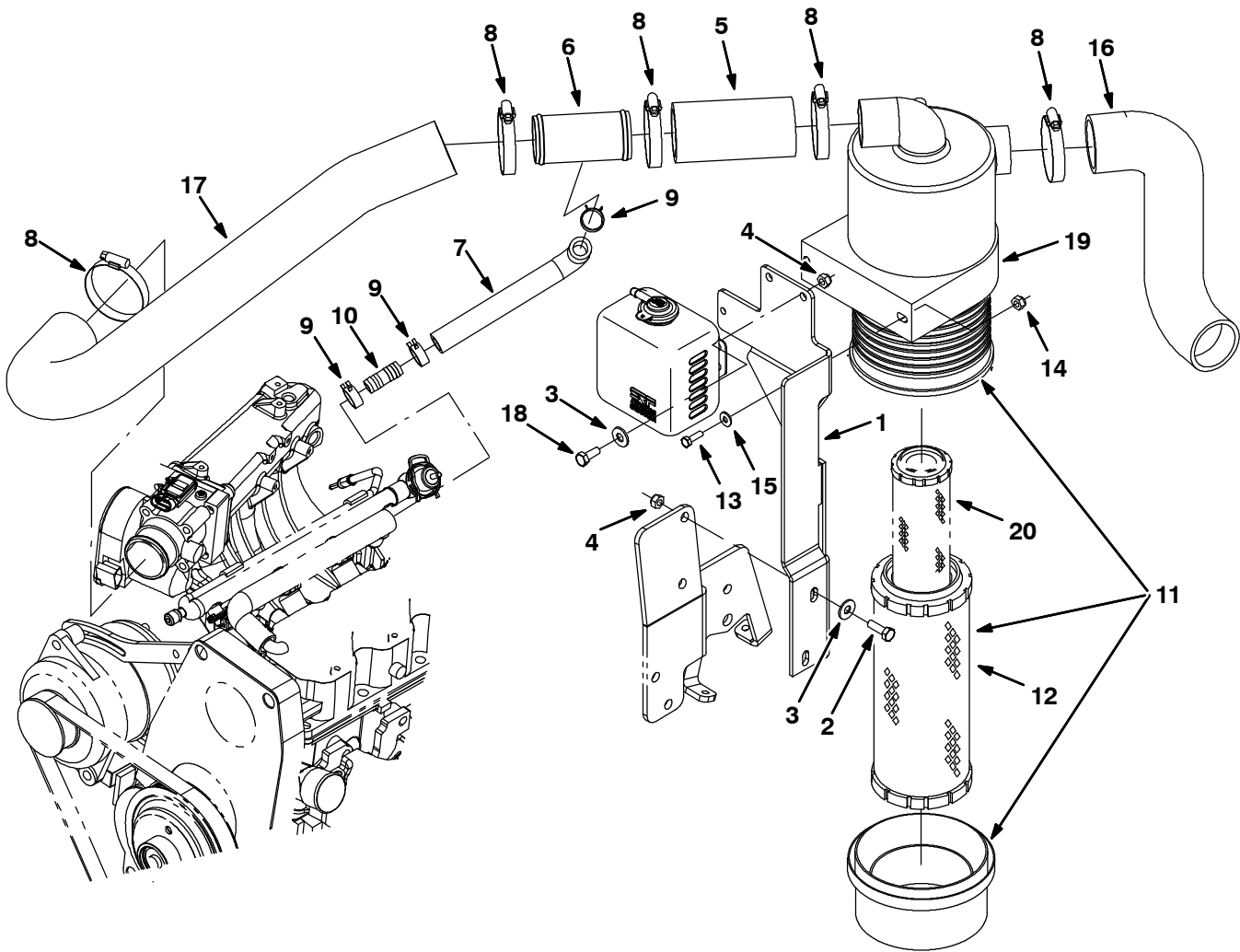


Fig. 20 - Engine Air Cleaner Group, Gasoline (000000-001499)

Ref.	Part No.	Serial Number	Description	Qty.	
1	1027856	(000000-001499 )	Bracket, Mtg, Fltr, Air	1	
2	39277	(000000-001499 )	Screw, Hex, M8 X 1.25 X 25, 8.8	2	
3	32491	(000000-001499 )	Washer, Flat, 0.31, Std	4	
4	08709	(000000-001499 )	Nut, Hex, Lock, M8 X 1.25, NI	4	
5	15543-2	(000000-001499 )	Hose, Rbr, 2.00id 2.50od 05.0l	1	
6	1011780	(000000-001499 )	Tube Wldt, Tee	1	
7	1021514	(000000-001499 )	Hose, Heater, E90, 0.62id 07.0 2.0	1	
8	14432	(000000-001499 )	Clamp, Hose, Wormdrive, 1.81-2.75d, .50w	5	
9	1011899	(000000-001499 )	Clamp, Hose, Spring Stl, 0.86d X 0.38w	3	
10	365164	(000000-001499 )	Fitting, Plstc, Str, Bm10/Bm10	1	
▽	11	369745	(000000-001499 )	Filter Assy, Air	1
▲	12	369746	(000000-001499 )	Element, Fltr, Air [Dn]	1
	13	06943	(000000-001499 )	Screw, Hex, M6 X 1.0 X 20, 8.8	2
	14	08708	(000000-001499 )	Nut, Hex, Lock, M6 X 1.0, NI	2
	15	32483	(000000-001499 )	Washer, Flat, 0.25 Sae	2
	16	1020949	(000000-001499 )	Hose, Intake, Mold, 2.00id [Epdm]	1
	17	1017978	(000000-001499 )	Hose, Intake, Mold, 2.00id, Gas [Epdm]	1
	18	16931	(000000-001499 )	Screw, Hex, M8 X 1.25 X 20, 8.8	1
	19	369747	(000000-001499 )	Clamp, Mtg, Fltr, Air	1
	20	398279	(000000-001499 )	Element, Fltr, Air, Safety (Option)	1

Fig. 21 - Engine Air Cleaner Group, Gasoline (001500-

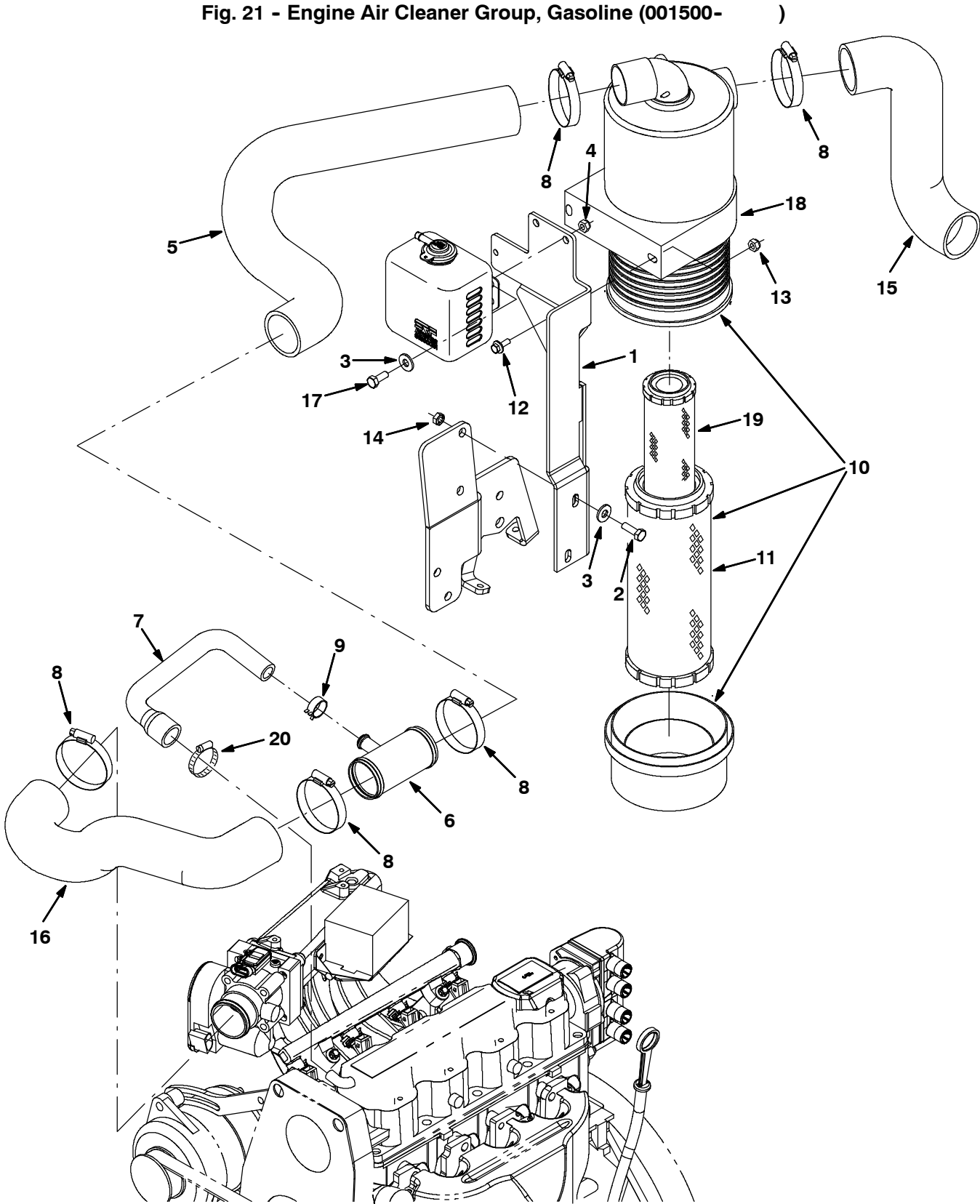


Fig. 21 - Engine Air Cleaner Group, Gasoline (001500- )

Ref.	Part No.	Serial Number	Description	Qty.
1	1027856	(001500-	) Bracket, Mtg, Fltr, Air	1
2	39277	(001500-	) Screw, Hex, M8 X 1.25 X 25, 8.8	2
3	32491	(001500-	) Washer, Flat, 0.31, Std	4
4	08709	(001500-	) Nut, Hex, Lock, M8 X 1.25, NI	2
5	1031614	(001500-	) Hose, Intake, Mold, 2.0id [Epdm M20/T20]	1
6	1011780	(001500-	) Tube Wldt, Tee	1
7	1032323	(001500-	) Hose, Vent, E90, 0.62id[Gm1.6l 2007]	1
8	14432	(001500-	) Clamp, Hose, Wormdrive, 1.81-2.75d, .50w	5
9	1011899	(001500-	) Clamp, Hose, Spring Stl, 0.86d X 0.38w	1
▽	10 369745	(001500-	) Filter Assy, Air	1
▲	11 369746	(001500-	) Element, Fltr, Air [Dn]	1
	12 06943	(001500-	) Screw, Hex, M6 X 1.0 X 20, 8.8	2
	13 1036892	(001500-	) Screw, Hex, M6 X 1.00 X 25, 9.8 Sems	2
	14 08709	(001500-xxxxxx	) Nut, Hex, Lock, M8 X 1.25, NI	2
	15 1020949	(001500-	) Hose, Intake, Mold, 2.00id [Epdm]	1
	16 1031609	(001500-	) Hose, Intake, Mold, 2.0id, Gas	1
	17 16931	(001500-	) Screw, Hex, M8 X 1.25 X 20, 8.8	1
	18 369747	(001500-	) Clamp, Mtg, Fltr, Air	1
	19 398279	(001500-	) Element, Fltr, Air, Safety (Option)	1
	20 371854	(001500-	) Clamp, Spring, 1.50	1

Fig. 22 - Engine Air Cleaner Group, LPG (00000-001499)

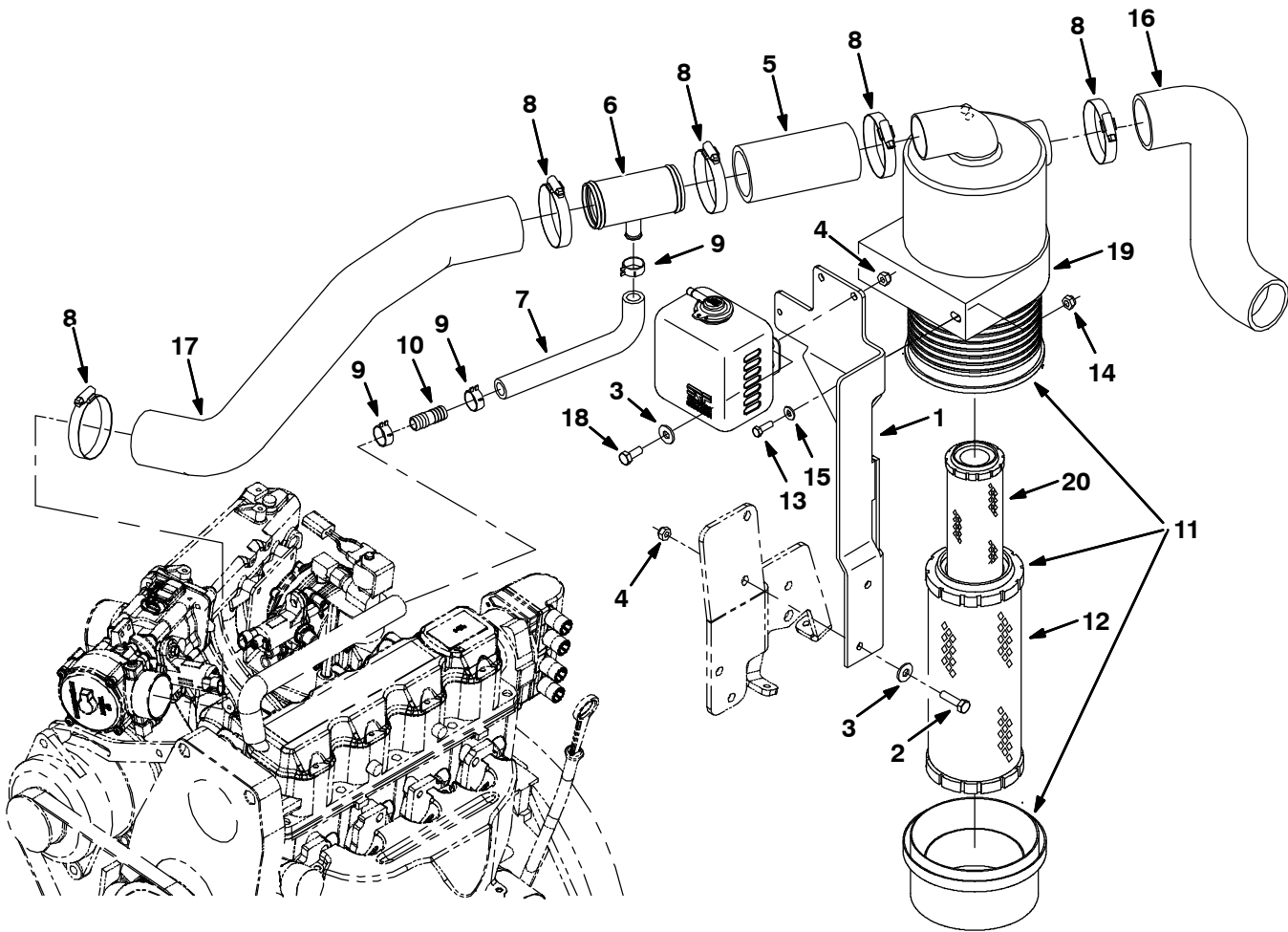




Fig. 22 - Engine Air Cleaner Group, LPG (000000-001499)

Ref.	Part No.	Serial Number	Description	Qty.	
1	1027856	(000000-001499 )	Bracket, Mtg, Fltr, Air	1	
2	39277	(000000-001499 )	Screw, Hex, M8 X 1.25 X 25, 8.8	2	
3	32491	(000000-001499 )	Washer, Flat, 0.31, Std	4	
4	08709	(000000-001499 )	Nut, Hex, Lock, M8 X 1.25, NI	4	
5	15543-2	(000000-001499 )	Hose, Rbr, 2.00id 2.50od 05.0l	1	
6	1011780	(000000-001499 )	Tube Wldt, Tee	1	
7	1021514	(000000-001499 )	Hose, Heater, E90, 0.62id 07.0 2.0	1	
8	14432	(000000-001499 )	Clamp, Hose, Wormdrive, 1.81-2.75d, .50w	5	
9	1011899	(000000-001499 )	Clamp, Hose, Spring Stl, 0.86d X 0.38w	3	
10	365164	(000000-001499 )	Fitting, Plstc, Str, Bm10/Bm10	1	
▽	11	369745	(000000-001499 )	Filter Assy, Air	1
▲	12	369746	(000000-001499 )	Element, Fltr, Air [Dn]	1
	13	06943	(000000-001499 )	Screw, Hex, M6 X 1.0 X 20, 8.8	2
	14	08708	(000000-001499 )	Nut, Hex, Lock, M6 X 1.0, NI	2
	15	32483	(000000-001499 )	Washer, Flat, 0.25 Sae	2
	16	1020949	(000000-001499 )	Hose, Intake, Mold, 2.00id [Epdm]	1
	17	1017987	(000000-001499 )	Hose, Intake, Mold, 2.00id, Lpg [Epdm]	1
	18	16931	(000000-001499 )	Screw, Hex, M8 X 1.25 X 20, 8.8	1
	19	369747	(000000-001499 )	Clamp, Mtg, Fltr, Air	1
	20	398279	(000000-001499 )	Element, Fltr, Air, Safety (Option)	1

Fig. 23 - Engine Air Cleaner Group, LPG (001500-

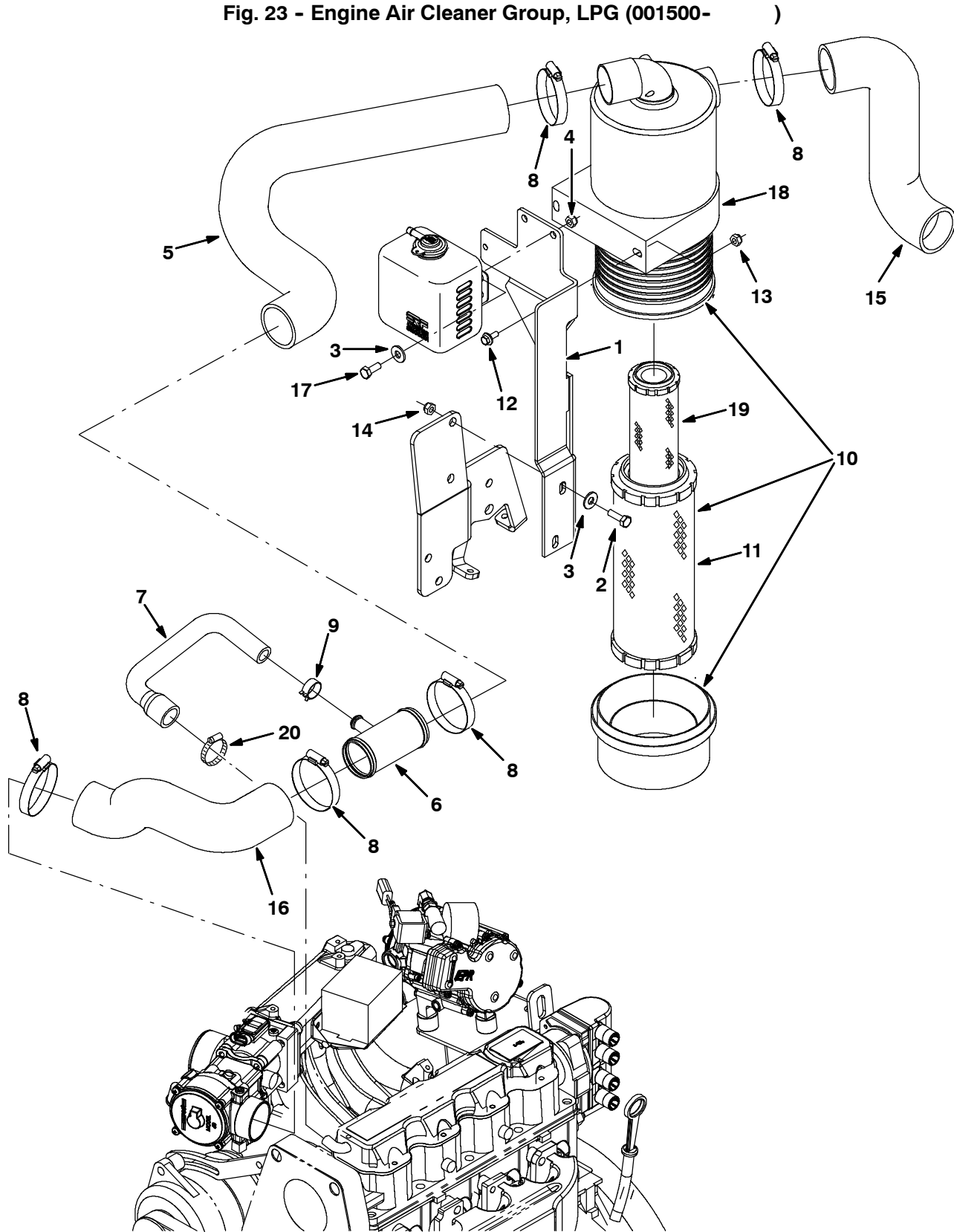


Fig. 23 - Engine Air Cleaner Group, LPG (001500- )

Ref.	Part No.	Serial Number	Description	Qty.
1	1027856	(001500-	) Bracket, Mtg, Fltr, Air	1
2	39277	(001500-	) Screw, Hex, M8 X 1.25 X 25, 8.8	2
3	32491	(001500-	) Washer, Flat, 0.31, Std	4
4	08709	(001500-	) Nut, Hex, Lock, M8 X 1.25, NI	2
5	1031614	(001500-	) Hose, Intake, Mold, 2.0id [Epdm M20/T20]	1
6	1011780	(001500-	) Tube Wldt, Tee	1
7	1032323	(001500-	) Hose, Vent, E90, 0.62id[Gm1.6l 2007]	1
8	14432	(001500-	) Clamp, Hose, Wormdrive, 1.81-2.75d, .50w	5
9	1011899	(001500-	) Clamp, Hose, Spring Stl, 0.86d X 0.38w	1
▽	10 369745	(001500-	) Filter Assy, Air	1
▲	11 369746	(001500-	) Element, Fltr, Air [Dn]	1
	12 1036892	(001500-	) Screw, Hex, M6 X 1.00 X 25, 9.8 Sems	2
	13 08708	(001500-	) Nut, Hex, Lock, M6 X 1.00, NI	2
	14 08709	(001500-xxxxxx	) Nut, Hex, Lock, M8 X 1.25, NI	2
	15 1020949	(001500-	) Hose, Intake, Mold, 2.00id [Epdm]	1
	16 1031553	(001500-	) Hose, Intake, Mold, 2.0id, Lpg	1
	17 16931	(001500-	) Screw, Hex, M8 X 1.25 X 20, 8.8	1
	18 369747	(001500-	) Clamp, Mtg, Fltr, Air	1
	19 398279	(001500-	) Element, Fltr, Air, Safety (Option)	1
	20 371854	(001500-	) Clamp, Spring, 1.50	1

**Fig. 24 - Engine Alternator and Fan Group**

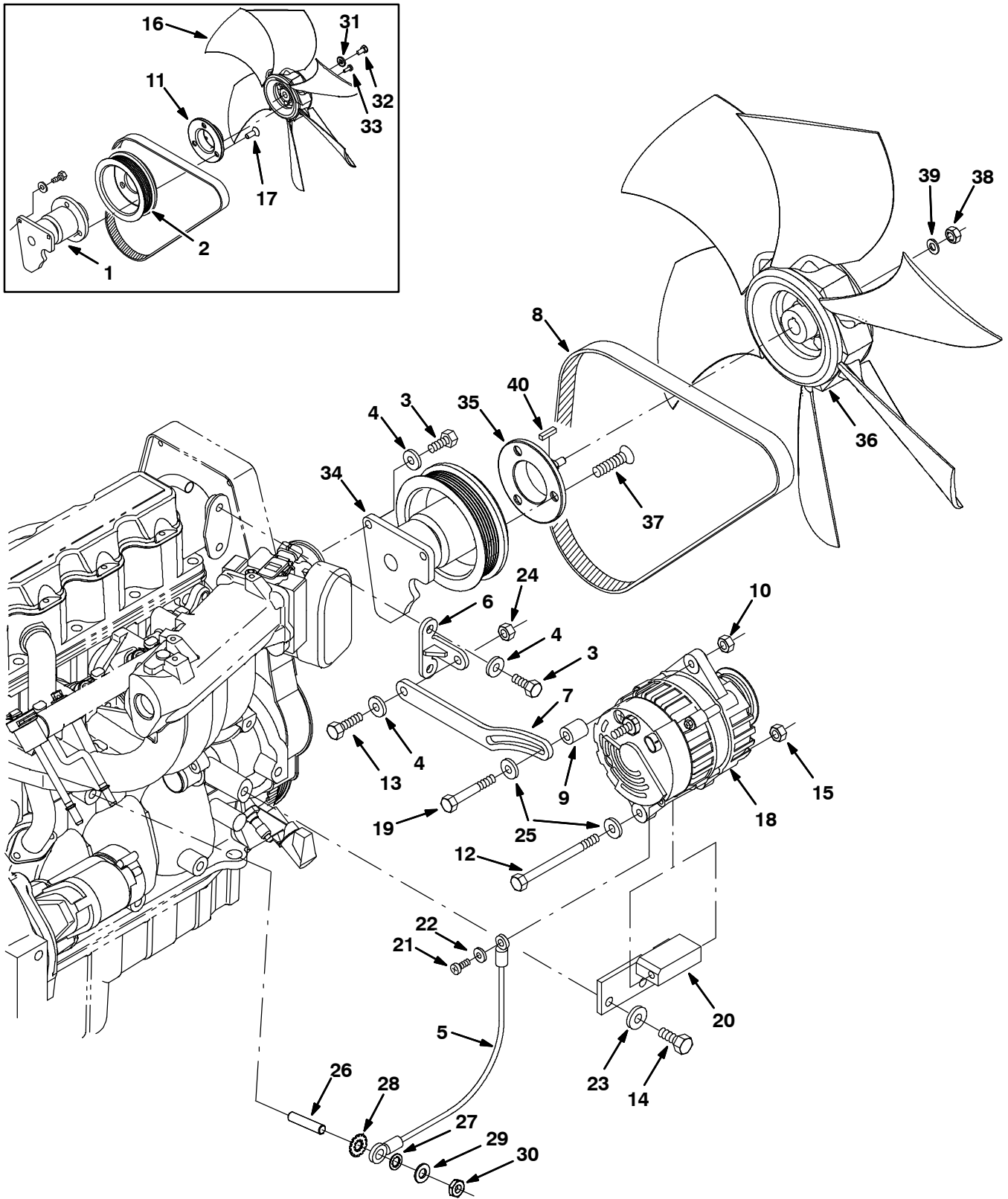


Fig. 24 - Engine Alternator and Fan Group

Ref.	Part No.	Serial Number	Description	Qty.
1	371863	(000000-001499 )	Base Assy, Fan, W/O Pulley	1
2	1033428	(000000-001499 )	Sheave, 5.00dia [Gm1.6l 2007]	1
3	16931	(000000-	Screw, Hex, M8 X 1.25 X 20, 8.8	4
4	371865	(000000-	Washer, Flat, 0.31, Hardened	7
5	371527	(000000-	Wire, Ground	1
6	371871	(000000-	Bracket, Anchor, Strap, Alternator	1
7	371872	(000000-	Strap, Adj, Alternator	1
8	1033644	(000000-	Belt, Ribbed, 38.5l	1
9	372557	(000000-	Spacer, Strap, Adj, Alternator	1
10	39311	(000000-	Nut, Hex, Std, M8 X 1.25	1
11	1032242	(000000-001499 )	Spacer, Fan	1
12	39785	(000000-	Screw, Hex, .31-18 X 4.50, 5	1
13	76958	(000000-	Screw, Hex, .31-18 X 1.75, 5	1
14	06961	(000000-	Screw, Hex, M10 X 1.5 X 20, 8.8	2
15	32983	(000000-	Nut, Hex, Lock, .31-18, NI	1
16	1035031	(000000-001499 )	Fan, Cooling, Pusher, 15.5D [2007]	1
17	48998	(000000-001499 )	Screw, Flt, .38-16 X 1.00, Al	3
18	393209	(000000-	Alternator, 12vdc 075a [Multi Grv]	1
19	363976	(000000-	Screw, Hex, M8 X 1.25 X 60, 8.8, FI	1
20	372536	(000000-	Bracket, Alternator	1
21	42011	(000000-	Screw, Hex, #10-24 X 0.50, Ss	1
22	19066	(000000-	Washer, Flat, #10	1
23	32485	(000000-	Washer, Flat, 0.38 Sae	1
24	19313	(000000-	Nut, Hex, Std, .31-18	1
25	39349	(000000-	Washer, Flat, 0.31 Sae	2
26	384442	(000000-	Stud, M10 X 1.50 [35]	1
27	32988	(000000-	Washer, Lock, Int, 0.38	1
28	41142	(000000-	Washer, Lock, Int-Ext, 0.38	1
29	32485	(000000-	Washer, Flat, 0.38 Sae	1
30	32716	(000000-	Nut, Hex, Jam, M10 X 1.5, Ss	1
31	41186	(000000-001499 )	Washer, Flat, Belleville, .31	1
32	16735	(000000-001499 )	Screw, Hex, M8 X 1.25 X 16, 8.8	1
33	09145	(000000-001499 )	Screw, Pan, M6 X 1.00 X 16, 4.8	3
34	1035056	(001500-	Base Assy, W/ Pulley [Gm1.6l 2007]	1
35	1035530	(001500-	Spacer, Fan, Taper [2007]	1
36	1035771	(001500-	Fan, Cooling, 15.5d, 6 Blade, .5b Taper	1
37	48996	(001500-	Screw, Flt, .38-16 X 0.75, Al	3
38	08709	(001500-	Nut, Hex, Lock, M8 X 1.25, NI	1
39	32491	(001500-	Washer, Flat, 0.31, Std	1
40	00960	(001500-	Key, Sq, 0.12 X 0.12, 0.50l	1

**Fig. 25 - Engine Muffler Group (00000-001499)**

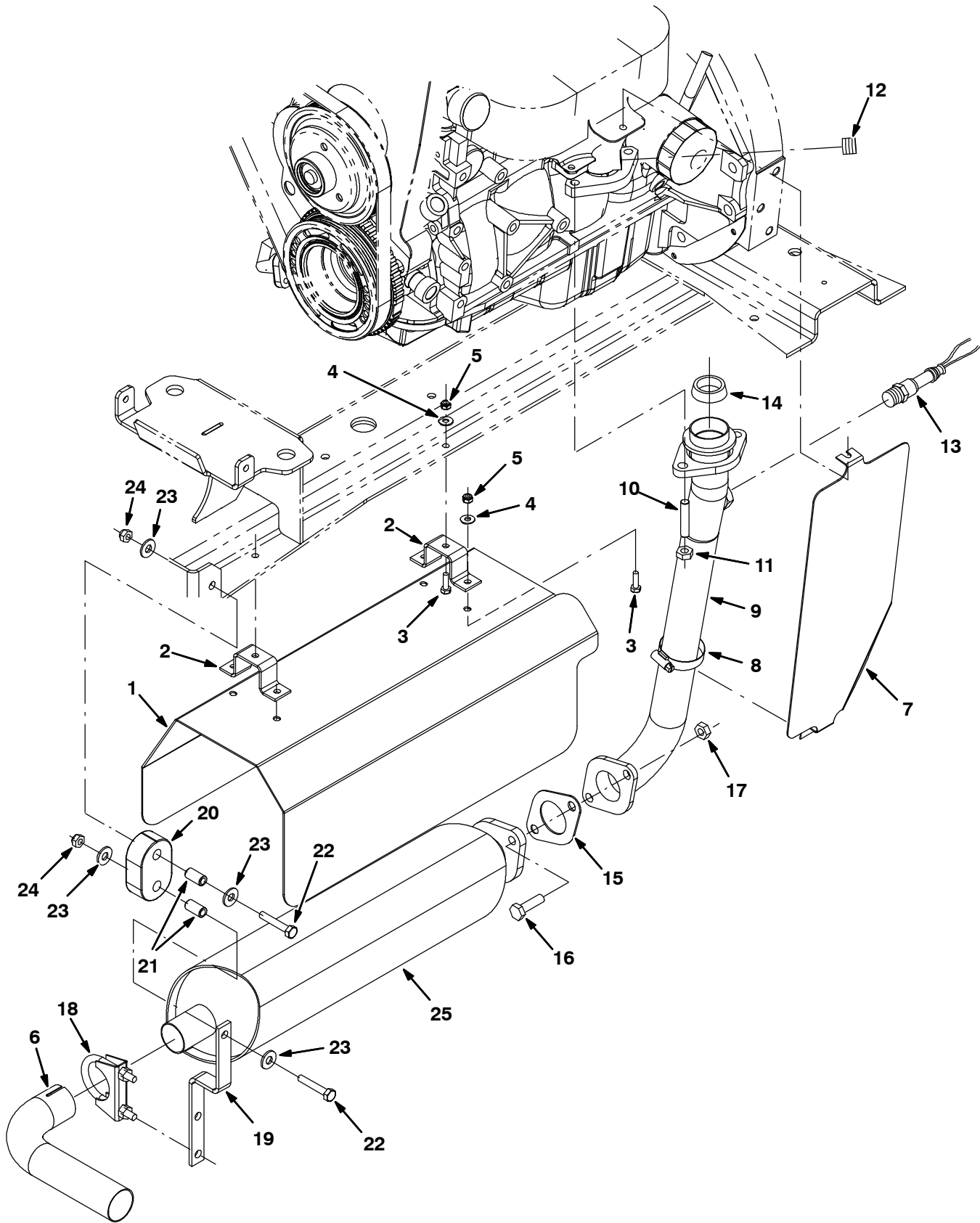


Fig. 25 - Engine Muffler Group (000000-001499)

Ref.	Part No.	Serial Number	Description	Qty.
1	1020602	(000000-001499 )	Channel, Shield, Muffler	1
2	1022113	(000000-001499 )	Bracket, Retainer, Shield, Heat	2
3	08716	(000000-001499 )	Screw, Hex, M6 X 1.0 X 20, Ss	6
4	32483	(000000-001499 )	Washer, Flat, 0.25 Sae	6
5	08712	(000000-001499 )	Nut, Hex, Lock, M6 X 1.0, Ss, NI	6
6	1021789	(000000-001499 )	Tube, Exhaust, 1.5d	1
7	9002394	(000000-001499 )	Plate, Shield, Heat, Gas/Lpg, Replmt	1
8	11531	(000000-001499 )	Clamp, Hose, Wormdrive, 1.06-2.00d, .56w	1
9	1018142	(000000-001499 )	Tube Wldt, Exhaust, Gas/Lpg	1
10	384442	(000000-001499 )	Stud, M10 X 1.50 [35]	2
11	08166	(000000-001499 )	Nut, Hex, M10 X 1.50 [Stover]	2
12	371860	(000000-001499 )	Fitting, Pipe, Plug, Metric, M18,Soc	1
13	372491	(000000-001499 )	Sensor, Oxygen	1
14	371861	(000000-001499 )	Gasket, Flng, Pipe, Exhaust	1
15	1011216	(000000-001499 )	Gasket, Exhaust, 2hole, 3.4bc	1
16	39284	(000000-001499 )	Screw, Hex, M10 X 1.5 X 35, 8.8	2
17	08166	(000000-001499 )	Nut, Hex, M10 X 1.5 [Stover]	2
18	24012	(000000-001499 )	Clamp, Muffler, 1.62d	1
19	1017969	(000000-001499 )	Bracket, Muffler, Hanger, Front	1
20	1013031	(000000-001499 )	Isolator, Rbr	1
21	222496	(000000-001499 )	Sleeve, P/M, 0.31b 0.50d 0.9l [430ss]	2
22	222505	(000000-001499 )	Screw, Hex, M8 X 1.25 X 45, Ss	2
23	01685	(000000-001499 )	Washer, Flat, 0.31, Ss	4
24	08713	(000000-001499 )	Nut, Hex, Lock, M8 X 1.25, NI, Ss	2
25	1022794	(000000-001499 )	Muffler, Short [Non-Catalytic Gm1.6/3.0]	1
25	1016624	(000000-001499 )	Muffler, Catalytic [Gm 1.6]	1

**Fig. 26 - Engine Muffler Group (001500- )**

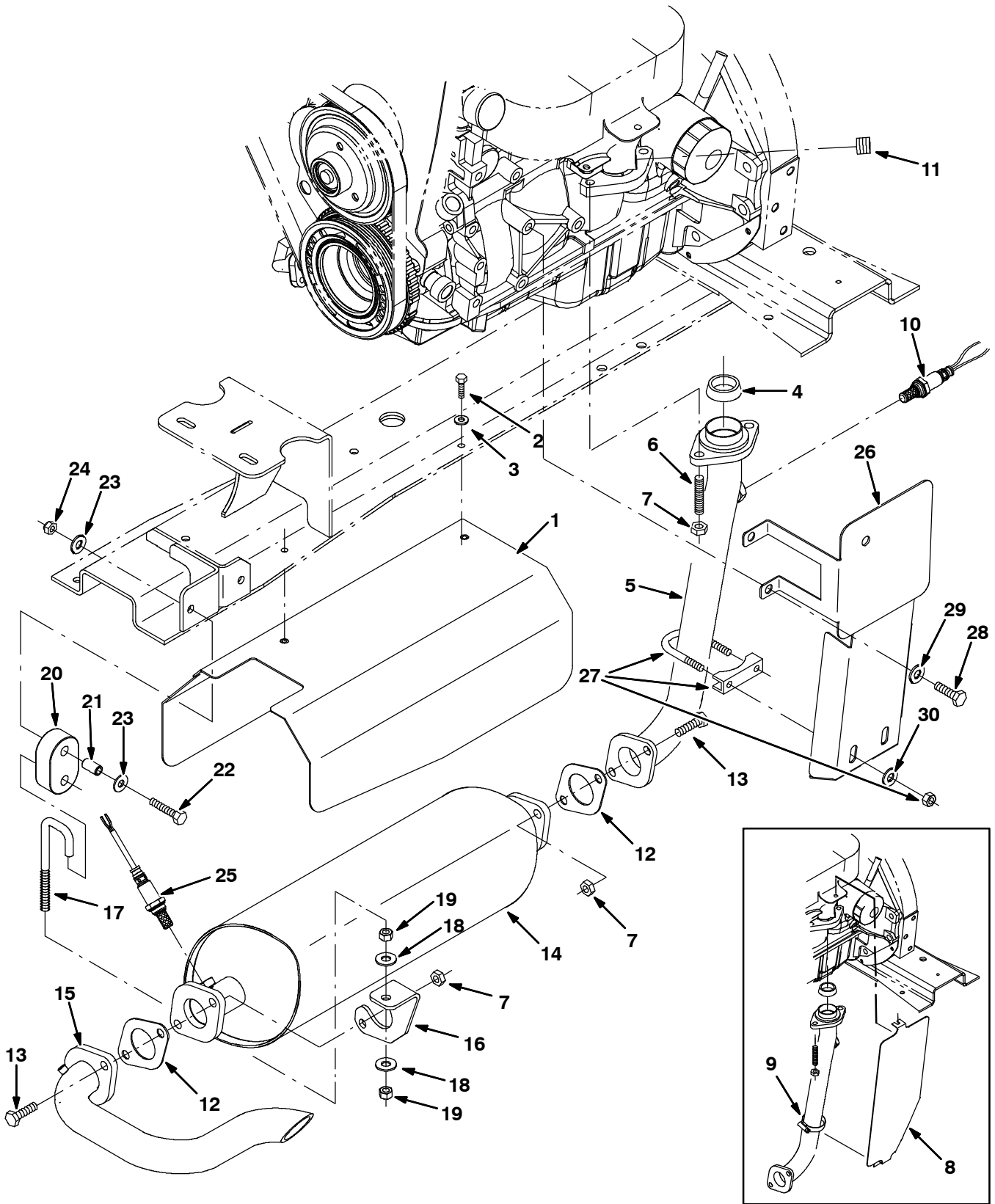




Fig. 26 - Engine Muffler Group (001500- )

Ref.	Part No.	Serial Number	Description	Qty.
1	1028994	(001500-	) Channel, Shield, Muffler [M20/T20 2007]	1
2	08716	(001500-	) Screw, Hex, M6 X 1.0 X 20, Ss	2
3	32483	(001500-	) Washer, Flat, 0.25, Sae	2
4	371861	(001500-	) Gasket, Flng, Pipe, Exhaust	1
5	1018142	(001500-	) Tube Wldt, Exhaust, 1.6d, 2 Flng	1
6	384442	(001500-	) Stud, M10 X 1.50 [35]	2
7	08166	(001500-	) Nut, Hex, M10 X 1.50 [Stover]	6
8	9002394	(001500-001635	) Plate, Shield, Heat, Gas/Lpg, Replmt	1
9	11531	(001500-001365	) Clamp, Hose, Wormdrive, 1.06-2.00d, .56w	1
10	1028559	(001500-	) Sensor, Oxygen [Gm 1.6L/3.0L 2007]	1
11	371860	(001500-	) Fitting, Pipe, Plug, Metric, M18,Soc	1
12	1011216	(001500-	) Gasket, Exhaust, 2hole, 3.4bc	2
13	39284	(001500-	) Screw, Hex, M10 X 1.5 X 35, 8.8	4
14	1028136	(001500-	) Muffler, Catalytic [Gm 1.6l 2007]	1
15	1028753	(001500-	) Tube, Exhaust, Flng, 1.5d [M20/T20 2007]	1
16	1028929	(001500-	) Bracket, Mtg, Muffler [M20/T20 2007]	1
17	1013117	(001500-	) Rod, Hanger, Isolator	1
18	32492	(001500-	) Washer, Flat, 0.38, Std	2
19	25014	(001500-	) Nut, Hex, Std, .38-16	2
20	1013031	(001500-	) Isolator, Rbr	1
21	222496	(001500-	) Sleeve, P/M, 0.31b 0.50d 0.9l [430ss]	1
22	222505	(001500-	) Screw, Hex, M8 X 1.25 X 45, Ss	1
23	01685	(001500-	) Washer, Flat, 0.38b 0.88d .08, Ss	2
24	08713	(001500-	) Nut, Hex, Lock, M8 X 1.25, NI, Ss	1
25	1028558	(001500-	) Sensor, Exhaust, Tailpipe	1
26	9003832	(002396-	) Shield, Heat, Gas/Lpg, Replmt	1
26	9004983	(002396-	) Shield, Heat, Gas/Lpg, Replmt (Japan Only)	1
27	24012	(001636-	) Clamp, Muffler, 1.62d	1
28	06961	(001636-	) Screw, Hex, M10 X 1.50 X 20, 8.8	2
29	32485	(001636-	) Washer, Flat, 0.38, Sae	2
30	32491	(001636-	) Washer, Flat, 0.31, Std	2

Fig. 27 - Engine Radiator Group

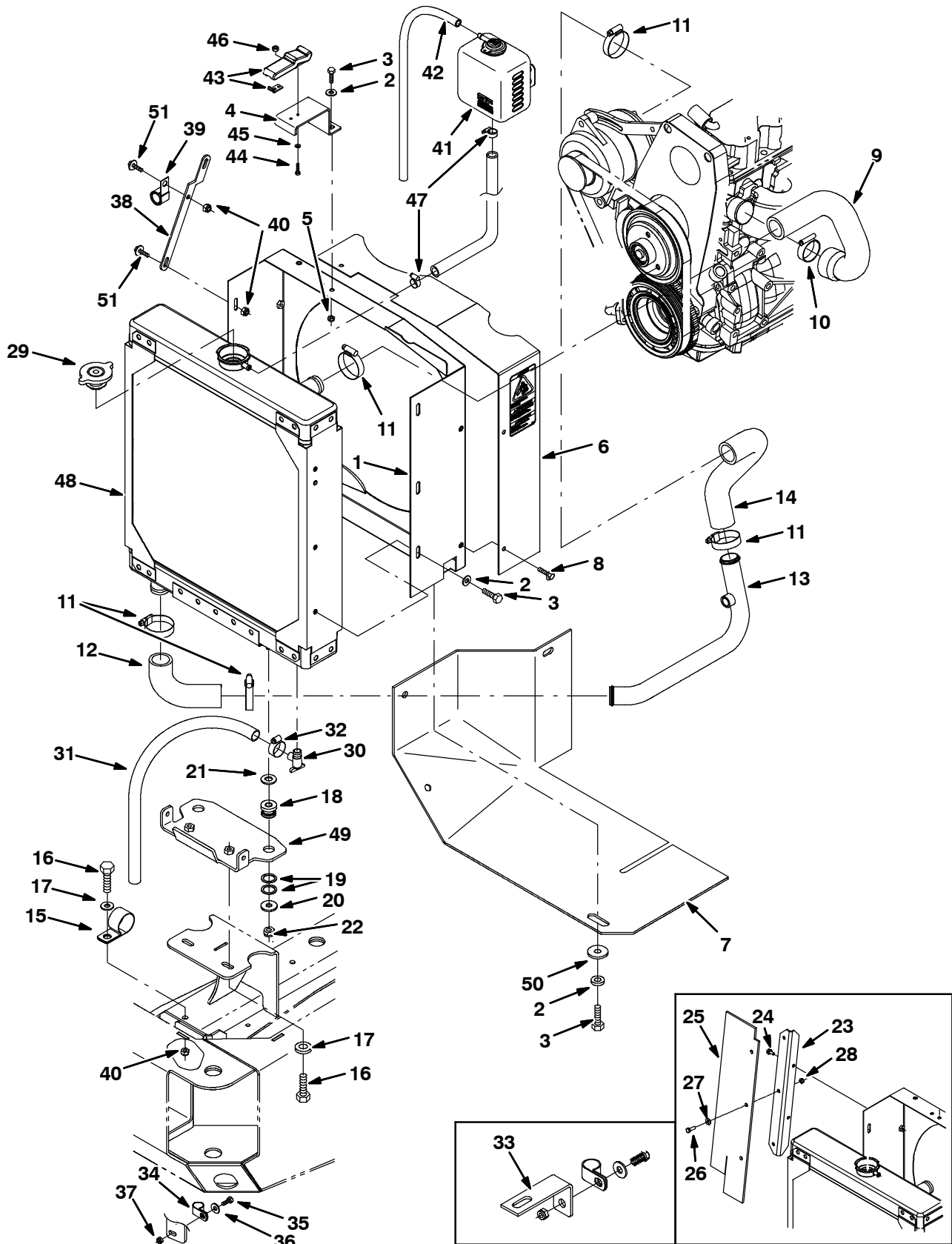


Fig. 27 - Engine Radiator Group

Ref.	Part No.	Serial Number	Description	Qty.
1	1038499	(000000-	) Panel Wldt, Shrd, Fan	1
2	32490	(000000-	) Washer, Flat, 0.25 Std	11
3	06942	(000000-	) Screw, Hex, M6 X 1.0 X 16, 8.8	13
4	1018463	(000000-	) Bracket, Mtg, Latch	1
5	08708	(000000-	) Nut, Hex, Lock, M6 X 1.0, NI	5
6	9002393	(000000-	) Plate, Guard, Fan Shrd, Gas/Lpg, Replmt	1
7	1035222	(000000-	) Skirt, Debris, Eng Radiator	1
8	74455	(000000-	) Screw, Hex, M6 X 1.0 X 12, Fmg	3
9	1011799	(000000-	) Hose, Radiator, Upper, Mold	1
10	22297	(000000-	) Clamp, Hose, Wormdrive, 1.56-2.50d, .50w	1
11	11531	(000000-	) Clamp, Hose, Wormdrive, 1.06-2.00d, .56w	7
12	1007482	(000000-	) Hose, Rbr, E90 1.25id 1.25id 04.2 03.1	1
13	1019273	(000000-	) Tube, Coolant, Lower, 1.3d	1
14	1019265	(000000-	) Hose, Radiator, Lower, Mold	1
15	53466	(000000-	) Clamp, Cable, Stl, 1.50d X 1.00w, 1h	1
16	39277	(000000-	) Screw, Hex, M8 X 1.25 X 25, 8.8	3
17	32491	(000000-	) Washer, Flat, 0.31, Std	3
18	54274	(000000-	) Isolator, Vib, Bshg, 1.1d 0.6l .4b 0.78h	2
19	09832	(000000-	) Washer, Flat, 0.81b 1.06d .06, Stl	4
20	1014563	(000000-	) Washer, Flat, 0.40b 1.12d .12, Ss	2
21	32486	(000000-	) Washer, Flat, 0.50 Sae	2
22	41430	(000000-	) Nut, Hex, Lock, M10 X 1.5, NI	2
23	1027099	(000000-001013	) Plate, Mtg, Seal	1
24	74455	(000000-001013	) Screw, Hex, M6 X 1.0 X 12, Fmg	2
25	1027103	(000000-001013	) Seal, Radiator	1
26	06943	(000000-	) Screw, Hex, M6 X 1.0 X 20, 8.8	4
27	32483	(000000-001013	) Washer, Flat, 0.25 Sae	3
28	08708	(000000-001013	) Nut, Hex, Lock, M6 X 1.0, NI	3
29	1045764	(000000-	) Cap, Radiator, 14psi [Stant Ao-2516]	1
30	51305	(000000-	) Fitting, Draincock, E90, .25npt	1
31	73471	(000000-	) Hose, Pvc, Clr, 0.38id 0.56od 22.00l	1
32	43844	(000000-	) Clamp, Hose, Wormdrive, 0.25-0.62d, .31w	1
33	1026003	(000000-001602	) Bracket, Ftg, Bh	1
34	67767	(000000-	) Clamp, Cable, Stl, 0.69d X 0.62w, 1h	1
35	09740	(000000-	) Screw, Hex, M8 X 1.25 X 20, Ss	1
36	01685	(000000-	) Washer, Flat, 0.31, Ss	1
37	08713	(000000-	) Nut, Hex, Lock, M8 X 1.25, NI, Ss	1
38	1019968	(000000-	) Bracket, Mtg, Radiator	1
39	30407	(000000-	) Clip, Keeper, Open	1
40	08709	(000000-	) Nut, Hex, Lock, M8 X 1.25, NI	4
41	1023853	(000000-	) Tank, Coolant, 04.7 03.3 4.7deep, 1liter	1
42	1015041	(000000-	) Hose, Afmkt, Coolant Recvy, 05ft	1
43	49800	(000000-	) Latch	1
44	06927	(000000-	) Screw, Pan, M4 X 0.70 X 16, 4.8	2
45	19064	(000000-	) Washer, Flat, #06	2

**Fig. 27 - Engine Radiator Group**

<b>Ref.</b>	<b>Part No.</b>	<b>Serial Number</b>	<b>Description</b>	<b>Qty.</b>
46	02850	(000000-	) Nut, Hex, Lock, M4 X 0.7, NI	2
47	43844	(000000-	) Clamp, Hose, Wormdrive, 0.25-0.62d, .31w	2
48	1018059	(000000-001719	) Radiator (Replaced by 1045316)	1
48	1041291	(001720-	) Radiator	1
49	1035976	(001036-	) Bracket, Sppt, Radiator, Upper	1
50	41178	(000000-	) Washer, Flat, 0.25, Fendr	3
51	1040467	(000000-	) Screw, Hex, M6 X 1.0 X 20, 9.8, Sems	2



**Fig. 28 - Battery and Electrical Group**

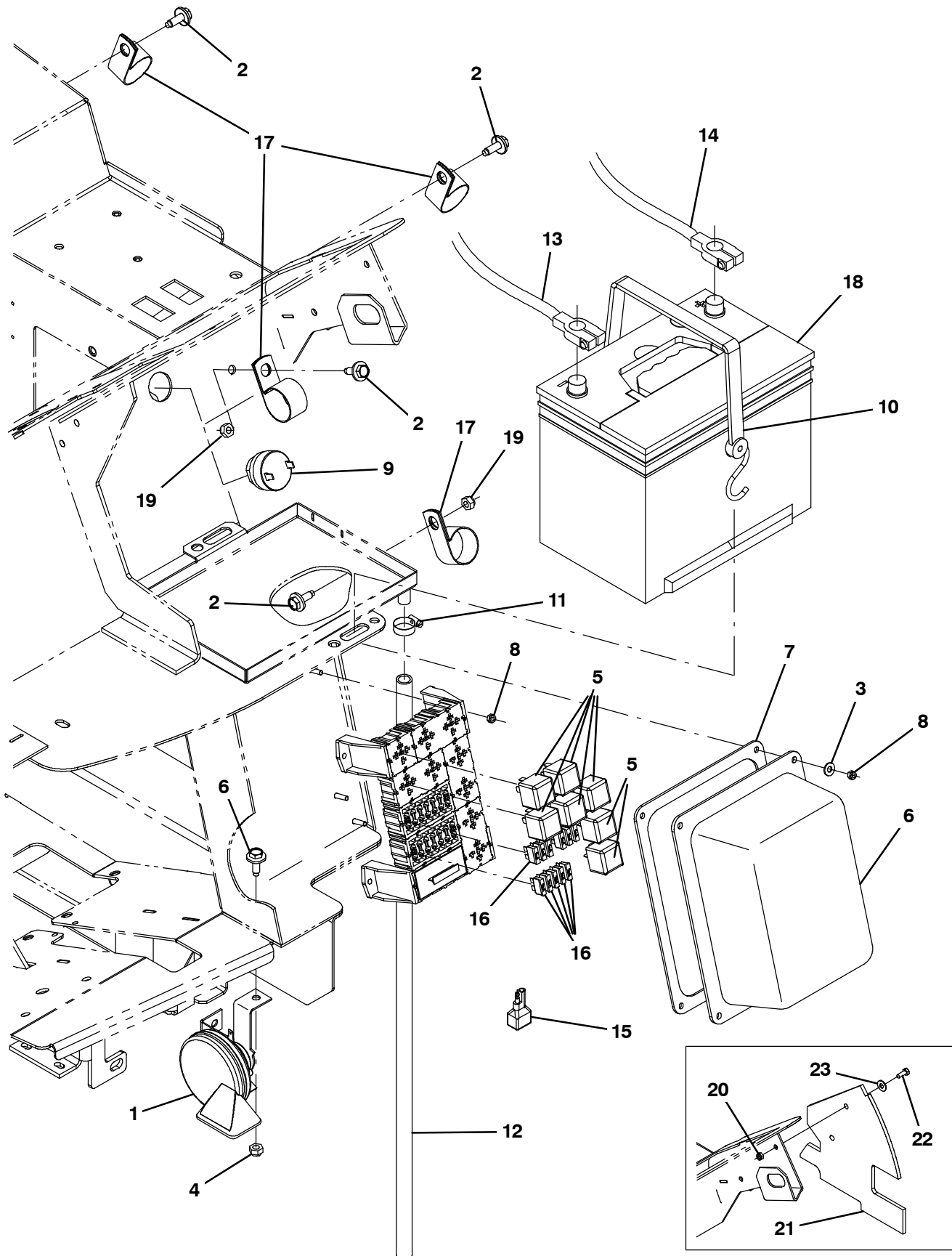


Fig. 28 - Battery and Electrical Group

Ref.	Part No.	Serial Number	Description	Qty.
1	369704	(000000-	) Horn, 12vdc, DbA [Wolo]	1
2	1037346	(000000-	) Screw, Hex, M8 X 1.25 X 25, 9.8, Sems	5
3	19066	(000000-	) Washer, Flat, #10	4
4	08709	(000000-	) Nut, Hex, Lock, M8 X 1.25, NI	1
5	57804	(000000-	) Relay, 12vdc, 40a, Spdt N/O	7
6	1024274	(000000-	) Cover, Fuse, Block	1
7	1026576	(000000-	) Gasket, Cover, Fuse Block	1
8	06549	(000000-	) Nut, Hex, Lock, M5 X 0.8, NI	8
9	1021290	(000000-	) Alarm, Warning [Sonalert, St628]	1
10	33671	(000000-	) Strap, Rbr, Tie-Down, 2/Hooks 19.0l	1
11	54333	(000000-	) Clamp, Hose, Wormdrive, 0.31-0.88d, .31w	1
12	20778	(000000-	) Hose, Pvc, Clr, 0.50id 0.69od 30.00l	1
13	60295	(000000-	) Cable, Battery, 02ga 60.0l Blk .41ring	1
14	68869	(000000-	) Cable, Battery, 02ga 48.0l Red .41ring	1
15	222290	(000000-	) Diode, Ele, Plug	1
16	762514	(000000-	) Fuse, 015a	14
17	53466	(000000-	) Clamp, Cable, Stl, 1.50d X 1.00w, 1h	4
18	10137	(000000-	) Battery, 12vdc, 0475cca, Ah, Wet	1
19	08709	(000000-	) Nut, Hex, Lock, M8 X 1.25, NI	2
20	08708	(000000-001013	) Nut, Hex, Lock, M6 X 1.0, NI	2
21	1027228	(000000-001013	) Seal, Radiator, Upper	1
22	06942	(000000-001013	) Screw, Hex, M6 X 1.0 X 16, 8.8	2
23	32490	(000000-001013	) Washer, Flat, 0.25 Std	2

Fig. 29 - Wheel Group, Front Drive

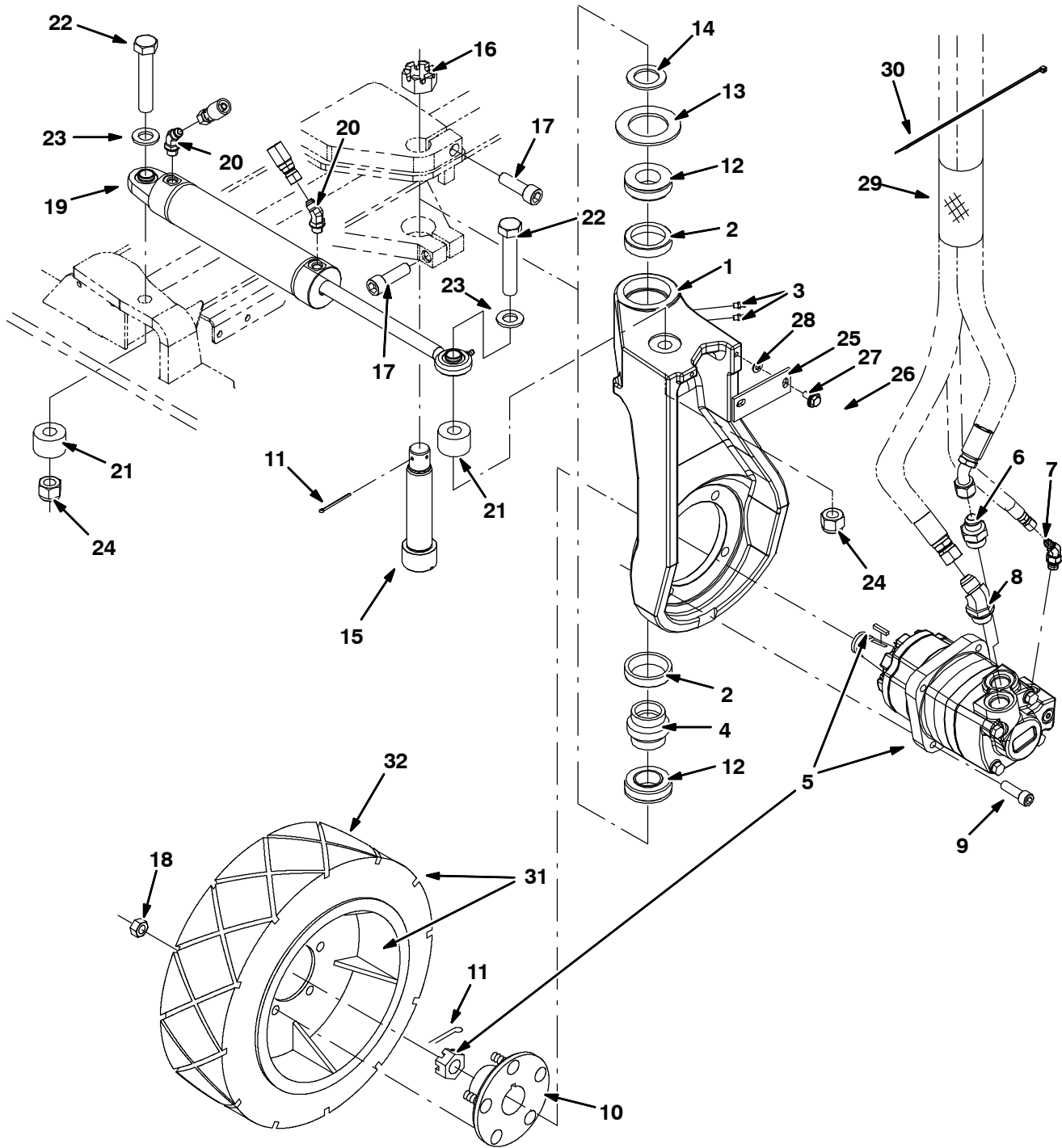




Fig. 29 - Wheel Group, Front Drive

Ref.	Part No.	Serial Number	Description	Qty.
1	1037940	(000000-	) Housing, Sppt, Rear Wheel	1
2	51338	(000000-	) Bearing, Cup, 2.56d 0.55w	2
3	47801	(000000-	) Fitting, Grease, Str Pm04 .63l	2
4	374560	(000000-	) Seal, Drive, Rear, Grease Cav	1
5	379609	(000000-	) Motor, Hyd, Gear, Int 19.0 Bi-Dir 3000 (See Breakdown)	1
6	42223	(000000-	) Fitting, Hyd, Str, Jm10/Om12	1
7	393215	(000000-	) Fitting, Hyd, E45, Jm04/Om06	1
8	1024249	(000000-	) Fitting, Hyd, E45, Jm10/Om12	1
9	19583	(000000-	) Screw, Soc, .50-13 X 1.50, Al	4
▽	10 54087	(000000-	) Hub Assy, Wheel, 5 Bolt 4.50bc Taper B	1
▲	32126	(000000-	) Stud, Wheel, .50-20 X 1.50l, 0.370th	5
11	08180	(000000-	) Pin, Cotter, .125 X 2.00	2
12	51339	(000000-	) Bearing, Cone, 1.38b 0.71w	2
13	374563	(000000-	) Washer, Flat, 2.16b 3.50d .16, Felt	1
14	54051	(000000-	) Washer, Flat, 1.39b 2.12d .13, Stl	1
15	73281	(000000-	) Bolt, Shld, 1.37d X 5.13l, 1.1-18 Drilled	1
16	54052	(000000-	) Nut, Hex, Sltd, 1.12-18	1
17	72926	(000000-	) Screw, Soc, M16 X 2.0 X 50, 12.9	2
18	24339	(000000-	) Nut, Wheel, .50-20 X 60 Angle	5
19	1017903	(000000-	) Cylinder, Hyd, 2.0b, 15.2l, 09.00strk, 3000	1
20	47522	(000000-	) Fitting, Hyd, E45, Jm06/Om06	2
21	71340	(000000-	) Tube, Rnd, 1.75d 0.77b 01.1l, Stl, Pntd	2
22	71341	(000000-	) Screw, Hex, .75-10 X 4.00, 5	2
23	39350	(000000-	) Washer, Flat, 0.75 Sae	2
24	32987	(000000-	) Nut, Hex, Lock, .75-10, Ni	2
25	58842	(000000-	) Bar, Flat, Stl 0.19, 01.50 X 04.1l	1
26	16931	(000000-	) Screw, Hex, M8 X 1.25 X 20, 8.8	2
27	32491	(000000-	) Washer, Flat, 0.31, Std	2
28	39349	(000000-	) Washer, Flat, 0.31 Sae	1
29	57315	(000000-	) Sleeve, Nyl, #37 05.0l	1
30	49266	(000000-	) Tie, Cable, Nyl, 07.3l .19w 1.8 Max D	1
▽	31 84597	(000000-	) Tire Assy, Solid, 18.0X6.0 4.5BC/5Bolt	1
▲	32 84596	(000000-	) Tire, Non-Skid, 18.0X6.0X12.10	1

Fig. 30 - Wheel Group, Rear

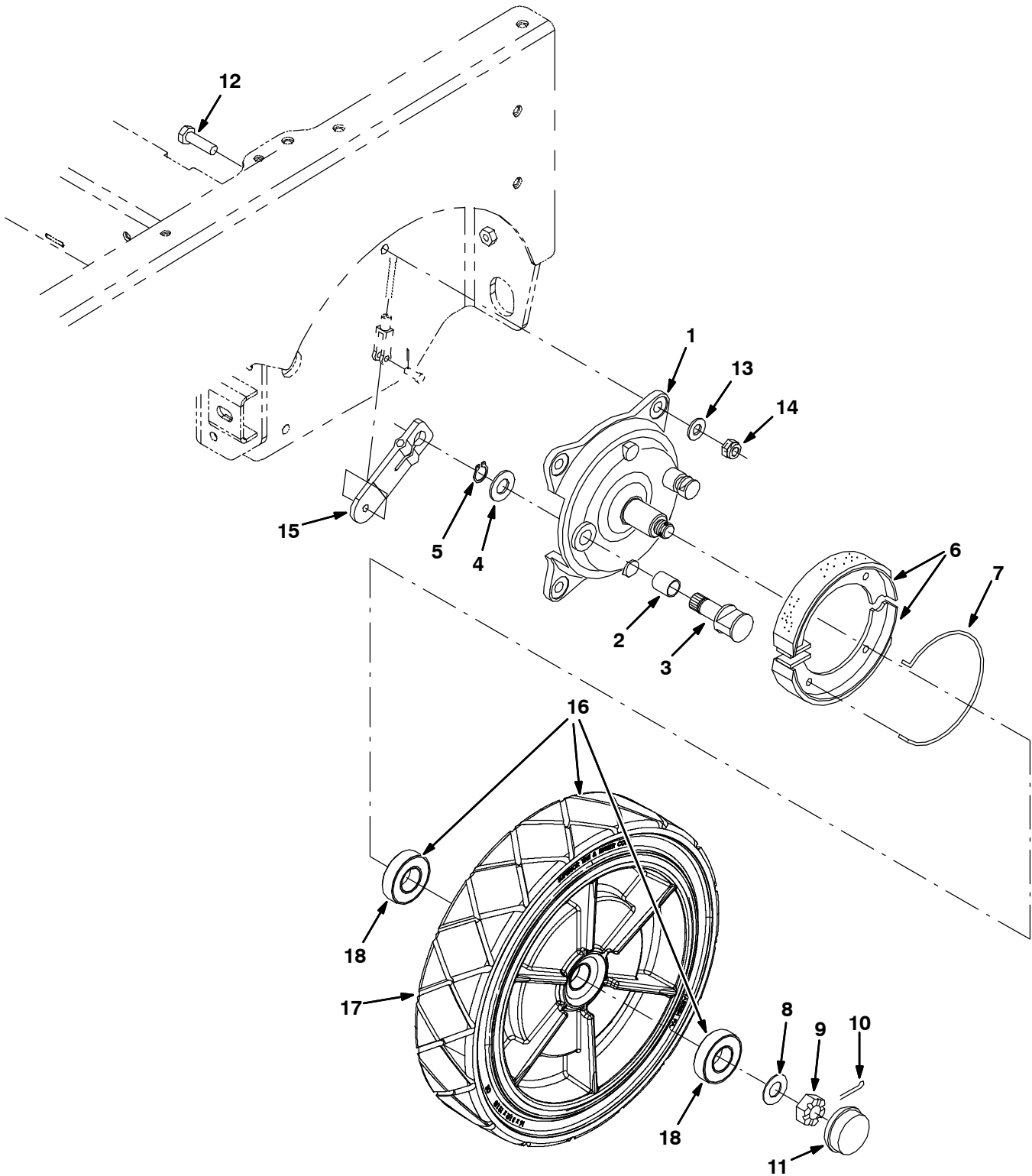


Fig. 30 - Wheel Group, Rear

	Ref.	Part No.	Serial Number	Description	Qty.
▽		360023	(000000-	) Brake Assy, Drum, Mech, 07.0d 1.2w	2
▲	1	360270	(000000-	) Plate, Backing, Brake	1
▲	2	360271	(000000-	) Bushing, Sleeve, 0.78b 0.86d 0.93l, Bnz	1
▲	3	360272	(000000-	) Cam, Plt, Brake [Nickel]	1
▲	4	360273	(000000-	) Washer, Flat, M21.0b X 37d X 3	1
▲	5	360274	(000000-	) Retainer, Ring, Brake	1
▲	6	360275	(000000-	) Shoe, Brake, 180 X 30mm	2
▲	7	360276	(000000-	) Spring, Wir, 0.25d, Return, Brake	1
	8	49145	(000000-	) Washer, Flat, 0.76b 1.50d .06, Ss	2
	9	86659	(000000-	) Nut, Hex, Sltd, .75-16	2
	10	08171	(000000-	) Pin, Cotter, .156 X 2.00	2
	11	54390	(000000-	) Cap, Hub, Dust 2.57d 0.77l	2
	12	06969	(000000-	) Screw, Hex, M12 X 1.75 X 40, 8.8	8
	13	32486	(000000-	) Washer, Flat, 0.50 Sae	8
	14	08711	(000000-	) Nut, Hex, Lock, M12 X 1.75,NI	8
	15	360802	(000000-	) Arm, Lever, Brake, 4.1 [Knott]	2
▽	16	1028203	(000000-	) Tire Assy, Solid, 16.0x3.5, W/ Brg [Ni]	2
▲	17	1028590	(000000-	) Tire, Solid, 16.0 X 3.5 X 12.1 [Nitrile]	1
▲	18	360074	(000000-	) Bearing, Ball, 1.18b 2.44d 0.63w	2

**Fig. 31 - Brake Pedal Linkage Group**

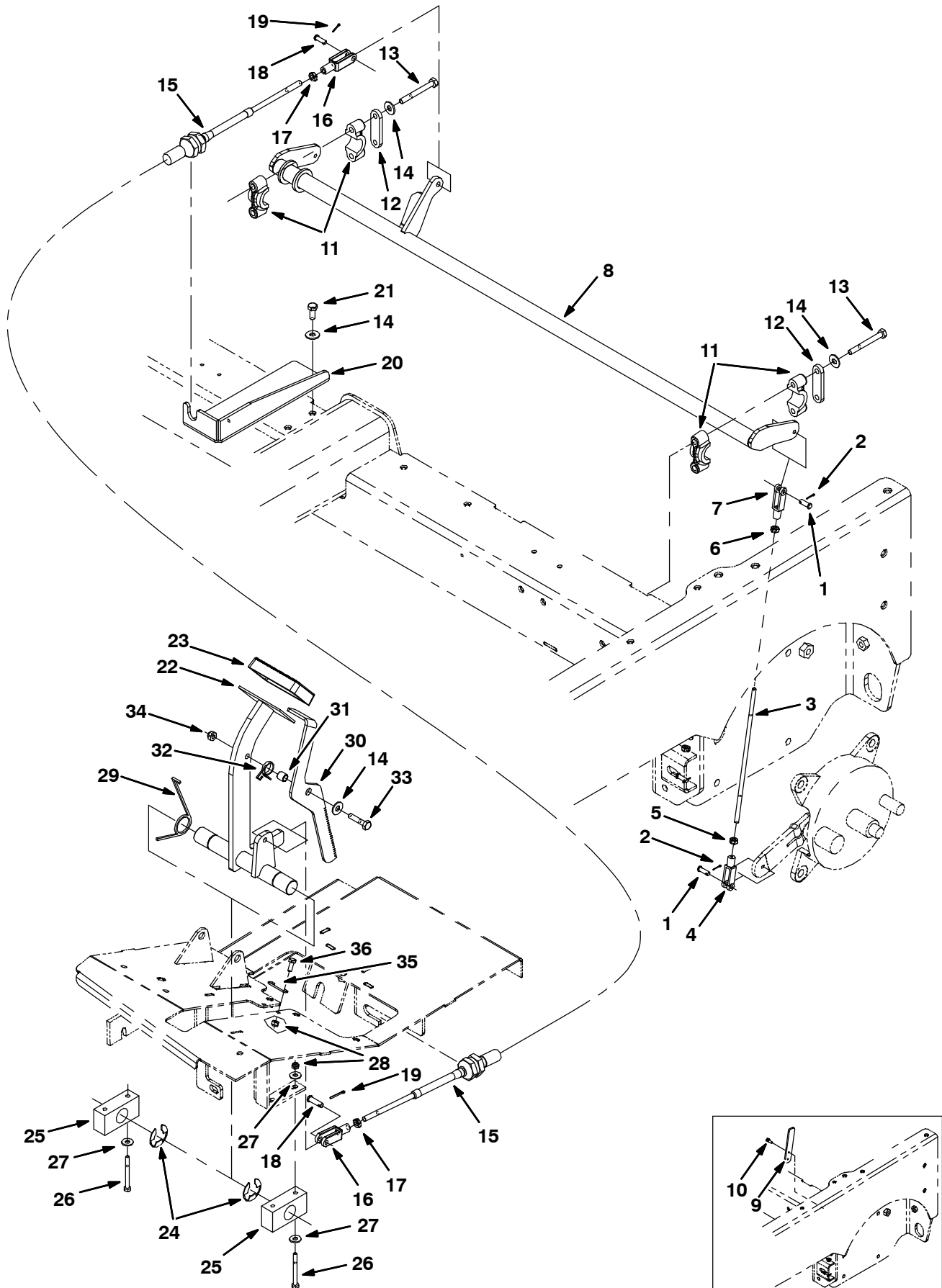
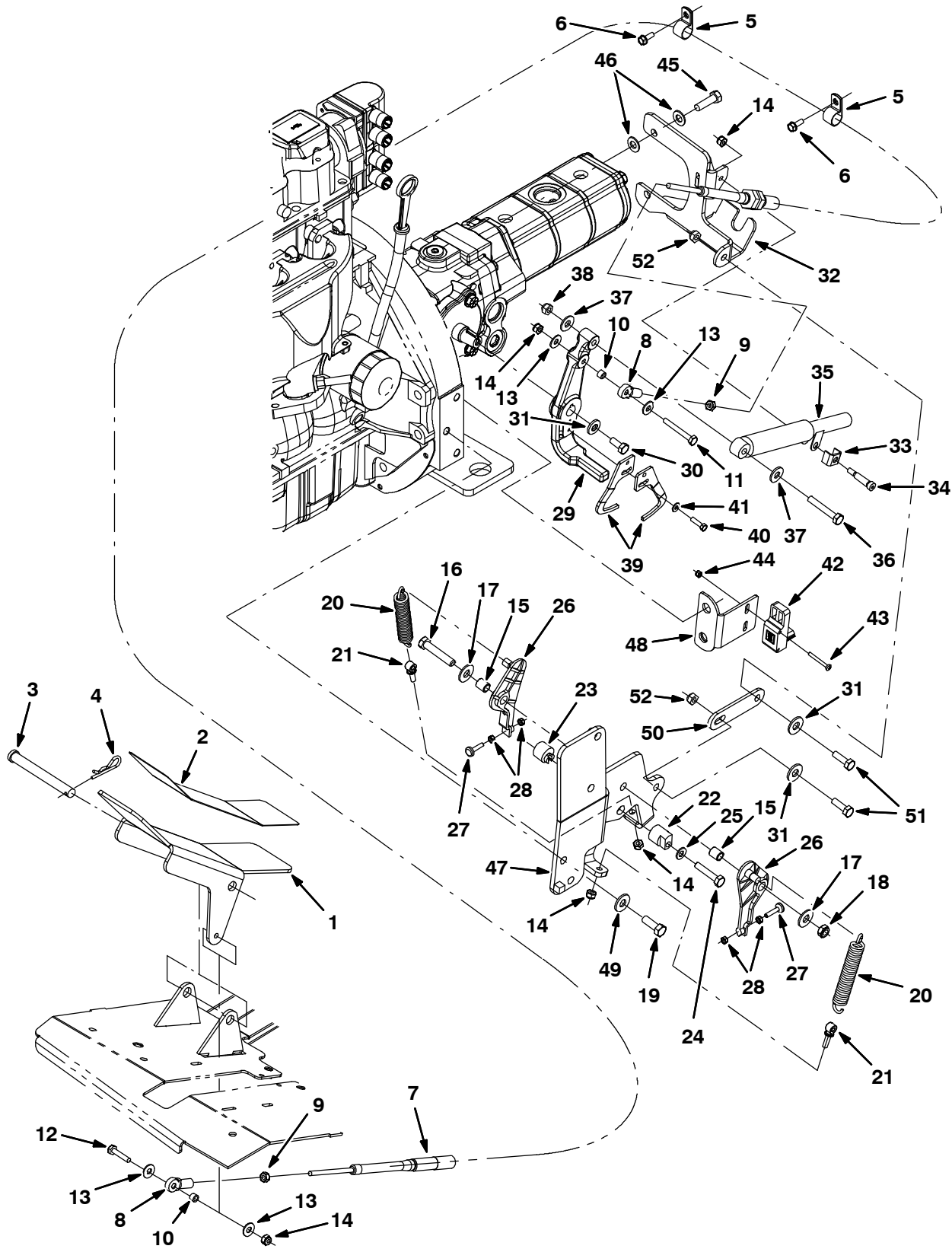


Fig. 31 - Brake Pedal Linkage Group

Ref.	Part No.	Serial Number	Description	Qty.
1	14605	(000000-	) Pin, Clevis, 0.25d X 0.75l	4
2	08170	(000000-	) Pin, Cotter, .062 X 0.50	4
3	364347	(000000-	) Rod	2
4	14595-1	(000000-	) Clevis, Adj, 0.25 Pin, 0.25-28 Rh, Pl	2
5	364948	(000000-	) Nut, Hex, Std, .25-28, Lh	2
6	01714	(000000-	) Nut, Hex, Std, .25-28	2
7	364864	(000000-	) Clevis, Adj, 0.25pin, 0.25-28left Pl	2
8	1022031	(000000-	) Shaft Wldt, Brake	1
9	1026025	(000000-xxxxxx	) Plate, Stop, Brake	2
10	361339	(000000-xxxxxx	) Screw, Hex, M6 X 1.0 X 16, Fmg	4
11	381502	(000000-	) Bearing, Split, 1.00b	4
12	382224	(000000-	) Plate, Sppt	2
13	39279	(000000-	) Screw, Hex, M8 X 1.25 X 70, 8.8	4
14	32491	(000000-	) Washer, Flat, 0.31, Std	7
15	1025495	(000000-	) Cable, Push / Pull, 063.0l 4.0, .31-24	1
16	58311	(000000-	) Clevis, Adj, 0.31pin, 0.31-24	2
17	20170	(000000-	) Nut, Hex, Jam, .31-24	2
18	69582	(000000-	) Pin, Clevis, 0.31d X 1.00l	2
19	08179	(000000-	) Pin, Cotter, .094 X 1.00	2
20	1022736	(000000-	) Bracket, Mtg, Cable	1
21	16931	(000000-	) Screw, Hex, M8 X 1.25 X 20, 8.8	2
22	1022243	(000000-	) Shaft Wldt, Pedal, Brake	1
23	51109	(000000-	) Pad, Pedal, Brake, 3.96l 2.36w 0.75	1
24	23788	(000000-	) Ring, Retaining, Ext, 0.98d, [E-Ring]	2
25	86751	(000000-	) Bearing, Pillowblock, 1.02b [Solid Pye]	2
26	06548	(000000-	) Screw, Hex, M6 X 1.0 X 60, 8.8	4
27	32490	(000000-	) Washer, Flat, 0.25 Std	8
28	08708	(000000-	) Nut, Hex, Lock, M6 X 1.0, NI	6
29	54607	(000000-	) Spring, Tors, 1.13id .12wir 02.3coil Rh	2
30	1025487	(000000-	) Pedal, Brake, Lock	1
31	46563	(000000-	) Bushing, Sleeve, 0.37b 0.50d 0.50l, Oib	1
32	59009	(000000-	) Spring, Tors, 0.75id .06wir 02.8coil	1
33	06955	(000000-	) Screw, Hex, M8 X 1.25 X 35, 8.8	1
34	08709	(000000-	) Nut, Hex, Lock, M8 X 1.25, NI	1
35	71367	(000000-	) Spring, Wir, 0.08d, Brake, Parking	1
36	06942	(000000-	) Screw, Hex, M6 X 1.0 X 16, 8.8	2

**Fig. 32 - Directional Pedal and Linkage Group**



Ref.	Part No.	Serial Number	Description	Qty.
1	1025140	(000000- )	Pedal, Propel	1
2	58819	(000000- )	Tread, Non-Skid, 03.0w 11.6l	1

Fig. 32 - Directional Pedal and Linkage Group

Ref.	Part No.	Serial Number	Description	Qty.
3	59668	(000000-	) Pin, Clevis, 0.50 D X 4.50l	1
4	08182	(000000-	) Pin, Cotter, .125 X 1.00	1
5	67767	(000000-	) Clamp, Cable, Stl, 0.69d X 0.62w, 1h	2
6	361339	(000000-	) Screw, Hex, M6 X 1.0 X 16, Fmg	2
7	1022345	(000000-	) Cable, Push / Pull, 098.0l .25-28/.25-28	1
8	68866	(000000-	) Rod-End, .25-28rh Fem 0.25b [Teflon]	2
9	01714	(000000-	) Nut, Hex, Std, .25-28	2
10	65441	(000000-	) Tube, 00.38d 00.26b 00.3l Stl Plt	2
11	41399	(000000-	) Screw, Hex, .25-20 X 2.25, Ss	1
12	42180	(000000-	) Screw, Hex, .25-20 X 1.75, Ss	1
13	32490	(000000-	) Washer, Flat, 0.25 Std	4
14	41169	(000000-	) Nut, Hex, Lock, .25-20, NI, Ss	5
15	63234	(000000-	) Tube, 00.50d 00.38b 00.6l Stl	2
16	42467	(000000-	) Screw, Hex, .38-16 X 2.00, Ss	1
17	32492	(000000-	) Washer, Flat, 0.38 Std	2
18	36643	(000000-	) Nut, Hex, Lock, .38-16, NI, Thin	1
19	21197	(000000-	) Screw, Hex, .38-16 X 1.00, 5	2
20	11842	(000000-	) Spring, Extn, 0.75od X 0.12wir, 4.3l	2
21	48079	(000000-	) Bolt, Eye, .25-20 X 1.40 X .25 Eye	2
22	53947	(000000-	) Cam, Centering, Pintle	1
23	54655	(000000-	) Cam, Centering, Pintle	1
24	74440	(000000-	) Screw, Hex, M8 X 1.25 X 40, Ss, NI	1
25	39349	(000000-	) Washer, Flat, 0.31 Sae	1
26	53953	(000000-	) Arm, Cntrl, Pintle, Centering	2
27	54205	(000000-	) Bumper, Rbr, 0.5d 0.16t M5 X 08	2
28	50335	(000000-	) Nut, Hex, Std, M5 X 0.8, 8	4
29	1027233	(000000-	) Arm, Pintle	1
30	83879	(000000-	) Screw, Hex, .31-24 X 0.75, NI	1
31	41186	(000000-	) Washer, Belleville, .31	3
32	1027313	(000000-	) Bracket Wldt, Propel, Pintle	1
33	84170	(000000-	) Bracket, Retainer, Safety	1
34	16213	(000000-	) Bolt, Shld, .31d X 1.00, .25-20	1
35	73411	(000000-	) Shock Absorber, 2.3 Strk	1
36	39278	(000000-	) Screw, Hex, M8 X 1.25 X 50, 8.8	1
37	32491	(000000-	) Washer, Flat, 0.31 Std	2
38	08709	(000000-	) Nut, Hex, Lock, M8 X 1.25, NI	1
39	1022787	(000000-	) Arm [Positioning]	2
40	09252	(000000-	) Screw, Hex, M5 X 0.8 X 20, 8.8	2
41	01683	(000000-	) Washer, Flat, #10 Ss	2
42	1022779	(000000-	) Sensor, Spd / Dir, 6-30vdc	1
43	09198	(000000-	) Screw, Pan, M4 X 0.7 X 35, Ss	2
44	33932	(000000-	) Nut, Hex, Lock, M4 X 0.7, NI, Ss	2
45	46559	(000000-	) Screw, Hex, .38-16 X 1.25, NI	2
46	32485	(000000-	) Washer, Flat, 0.38 Sae	4
47	1022140	(000000-	) Bracket, Propel, Gas/Lpg	1
48	1022798	(000000-	) Bracket, Mtg, Cyl	1
49	41187	(000000-	) Washer, Flat, Belleville, .38	2
50	1032399	(000000-	) Strap, Sppt	1
51	09010	(000000-	) Screw, Hex, M8 X 1.25 X 25, Ss	2
52	08713	(000000-	) Nut, Hex, Lock, M8 X 1.25, NI, Ss	2

Fig. 33 - Cylindrical Scrub Brush Drive Group, Left Side

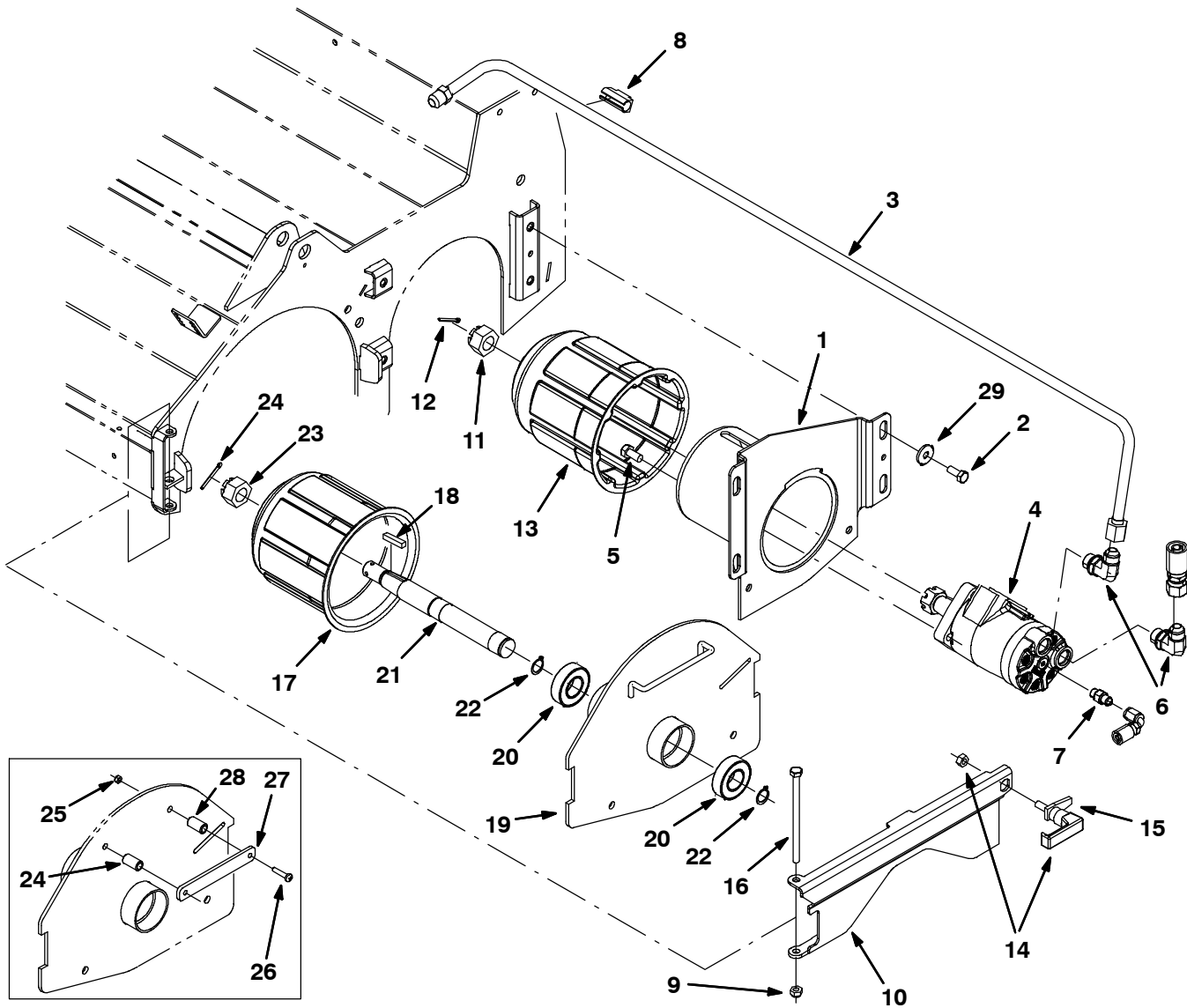




Fig. 33 - Cylindrical Scrub Brush Drive Group, Left Side

Ref.	Part No.	Serial Number	Description	Qty.
1	1021019	(000000-	) Housing Wldt, Brush, Drive	1
2	15675	(000000-	) Screw, Hex, M8 X 1.25 X 16, Ss	4
3	1023617	(000000-	) Tube, Hyd, 08 Jf08/Jm08	1
4	71729	(000000-	) Motor, Hyd, Gear, Int 04.5 Bi-Dir 1500 (See Breakdown)	1
5	01762	(000000-	) Screw, Hex, .38-16 X 0.75, NI	4
6	44868	(000000-	) Fitting, Hyd, E90, Jm08/Om08	2
7	55586	(000000-	) Fitting, Hyd, Str, Jm04/Om04	1
8	1026080	(000000-	) Clamp, Hyd, 0.50d	1
9	08713	(000000-	) Nut, Hex, Lock, M8 X 1.25, NI, Ss	11
10	1029964	(000000-	) Door Wldt, Brush	1
11	12295	(000000-	) Nut, Hex, Sltd, M20 X 2.5, 8	1
12	08175	(000000-	) Pin, Cotter, .125 X 1.25	1
13	87631	(000000-	) Plug Wldt, Drive, Brush, Sweep	1
14	65695	(000000-	) Latch	1
15	1026352	(000000-	) Pawl, Str	1
16	70563	(000000-	) Screw, Hex, M8 X 1.25 X 130, 8.8	1
▽	9006398	(000000-	) Idler Assy, Brush, Replmt [M20/T20, M30]	1
▲	17 25686	(000000-	) Plug Wldt, Drive, Brush	1
▲	18 00927	(000000-	) Key, Sq, 0.25 X 0.25, 1.25l	1
▲	19 1038258	(000000-	) Door Wldt, Brush, Idler	1
▲	20 13534	(000000-	) Bearing, Ball, 0.98b 2.05d 0.59w	2
▲	21 56078	(000000-	) Shaft, Brush, Idler	1
▲	22 09005	(000000-	) Ring, Retaining, Ext, 1.00d, Basic	2
▲	23 12295	(000000-	) Nut, Hex, Sltd, M20 X 2.5, 8	1
▲	24 08175	(000000-	) Pin, Cotter, .125 X 1.25	1
	25 09739	(000000-001558	) Nut, Hex, Lock, M5 X 0.8, NI, Ss	2
	26 17185	(000000-001558	) Screw, Pan, M5 X 0.8 X 40, Ss	2
	27 1032743	(000000-001558	) Plate, Handle	1
	28 222496	(000000-001558	) Sleeve, P/M, 0.31b 0.50d 0.9l [430ss]	2
	29 32491	(000000-	) Washer, Flat, 0.31, Std	4

Fig. 34 - Cylindrical Scrub Brush Drive Group, Right Side

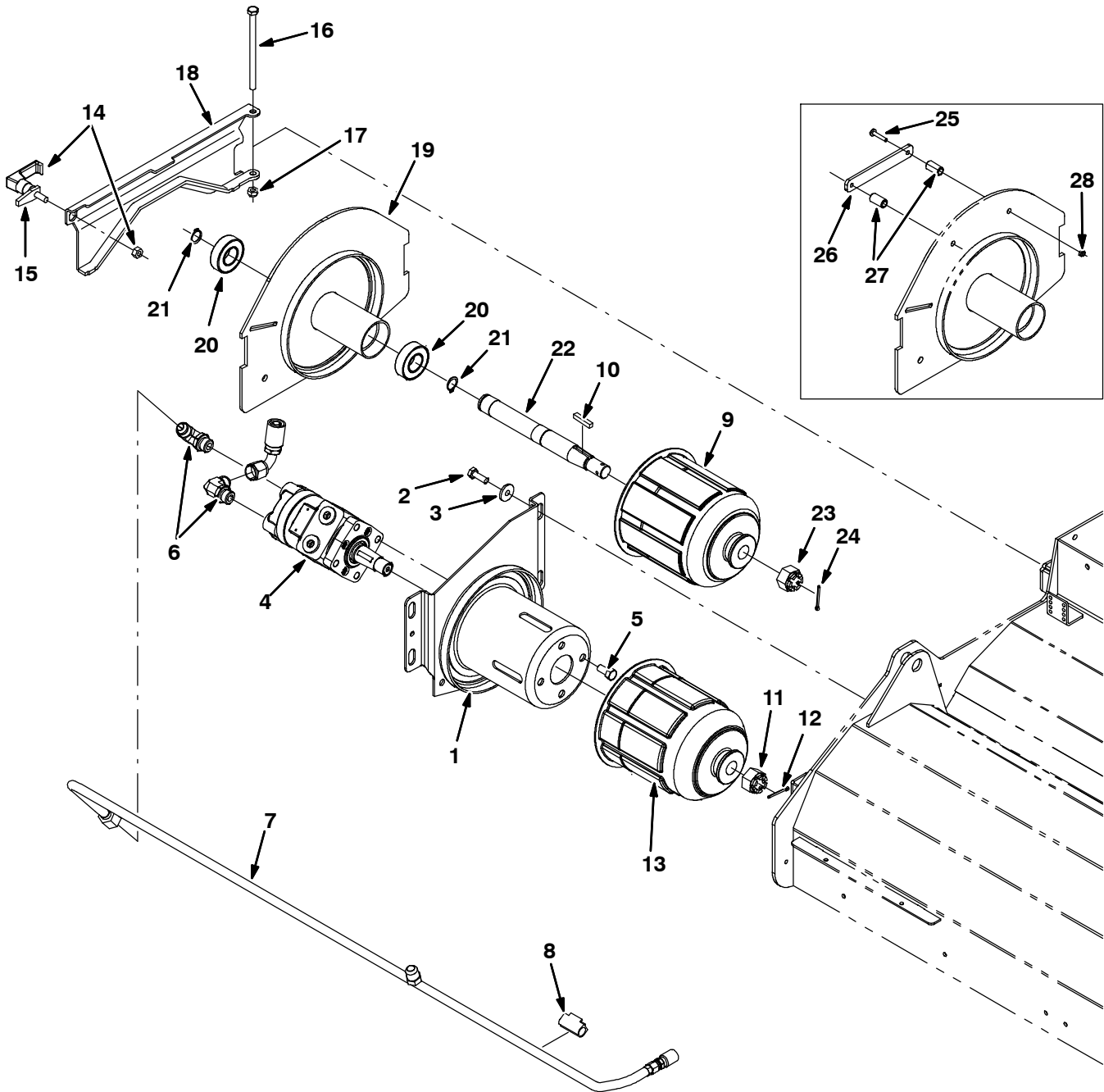


Fig. 34 - Cylindrical Scrub Brush Drive Group, Right Side

Ref.	Part No.	Serial Number	Description	Qty.	
1	1021019	(000000-	) Housing Wldt, Brush, Drive	1	
2	15675	(000000-	) Screw, Hex, M8 X 1.25 X 16, Ss	4	
3	32491	(000000-	) Washer, Flat, 0.31, Std	4	
4	71729	(000000-	) Motor, Hyd, Gear, Int 04.5 Bi-Dir 1500 (See Breakdown)	1	
5	01762	(000000-	) Screw, Hex, .38-16 X 0.75, NI	4	
6	44868	(000000-	) Fitting, Hyd, E90, Jm08/Om08	2	
7	1023303	(000000-	) Tube, Hyd, Brush Return	1	
8	1026080	(000000-	) Clamp, Hyd, 0.50d	1	
9	25686	(000000-	) Plug Wldt, Drive, Brush	1	
10	00927	(000000-	) Key, Sq, 0.25 X 0.25, 1.25l	1	
11	12295	(000000-	) Nut, Hex, Sltd, M20 X 2.5, 8	1	
12	08175	(000000-	) Pin, Cotter, .125 X 1.25	1	
13	87631	(000000-	) Plug Wldt, Drive, Brush, Sweep	1	
14	65695	(000000-	) Latch	1	
15	1026352	(000000-	) Pawl, Str	1	
16	70563	(000000-	) Screw, Hex, M8 X 1.25 X 130, 8.8	1	
17	08713	(000000-	) Nut, Hex, Lock, M8 X 1.25, NI, Ss	1	
18	1029964	(000000-	) Door Wldt, Brush	1	
▽	9006398	(000000-	) Idler Assy, Brush, Replmt [M20/T20, M30]	1	
▲	19	1038258	(000000-	) Door Wldt, Brush, Idler	1
▲	20	13534	(000000-	) Bearing, Ball, 0.98b 2.05d 0.59w	2
▲	21	09005	(000000-	) Ring, Retaining, Ext, 1.00d, Basic	2
▲	22	56078	(000000-	) Shaft, Brush, Idler	1
▲	23	12295	(000000-	) Nut, Hex, Sltd, M20 X 2.5, 8	1
▲	24	08175	(000000-	) Pin, Cotter, .125 X 1.25	1
25	17185	(000000-001558	) Screw, Pan, M5 X 0.8 X 40, Ss	2	
26	1032743	(000000-001558	) Plate, Handle	1	
27	222496	(000000-001558	) Sleeve, P/M, 0.31b 0.50d 0.9l [430ss]	2	
28	09739	(000000-001558	) Nut, Hex, Lock, M5 X 0.8, NI, Ss	2	

**Fig. 35 - Cylindrical Scrub Brush Head Lift Group**

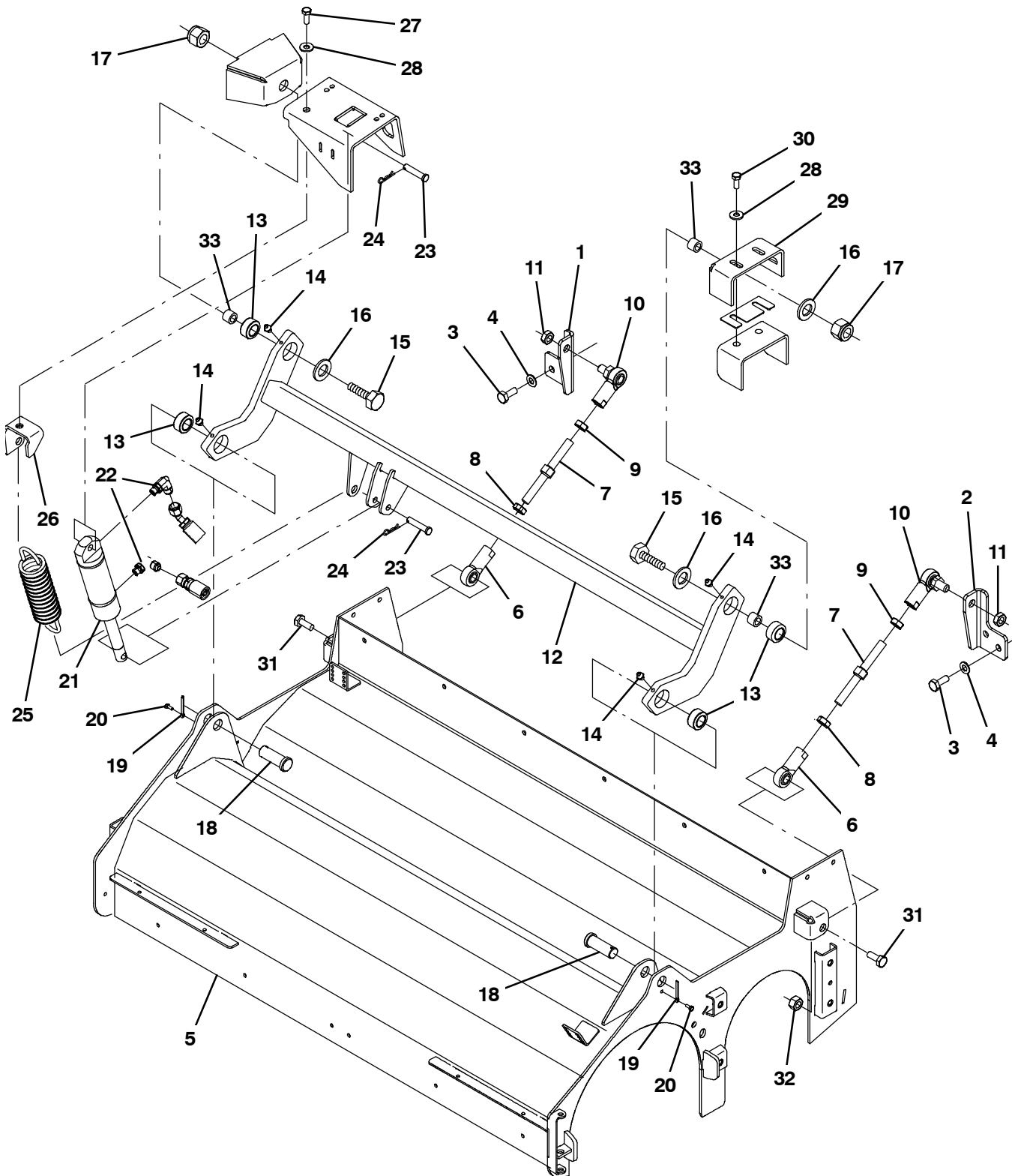


Fig. 35 - Cylindrical Scrub Brush Head Lift Group

Ref.	Part No.	Serial Number	Description	Qty.
1	1030910	(000000-	) Bracket, Mtg, Scb Head, Rh	1
2	1030911	(000000-	) Bracket, Mtg, Scb Head, Lh	1
3	09028	(000000-	) Screw, Hex, M10 X 1.5 X 25, Ss	4
4	32485	(000000-	) Washer, Flat, 0.38 Sae	4
5	1020002	(000000-	) Housing Wldt, Swp, Scb	1
6	67555	(000000-	) Rod-End, .50-20rh Fem 0.50b	2
7	1014705	(000000-	) Rod, Thrd, 2 End, .50-20 04.9l, Rh / Lh	2
8	48985	(000000-	) Nut, Hex, Jam, .50-20	2
9	71369	(000000-	) Nut, Hex, Jam, .50-20, Lh	2
10	382099	(000000-	) Rod-End, .50-20lh Fem 0.50-20stud	2
11	51824	(000000-	) Nut, Hex, Lock, .50-20, NI, Thin	2
12	1020003	(000000-	) Tube Wldt, Torque	1
13	42120	(000000-	) Bearing, Self Align, 0.75b 1.25d	4
14	07259	(000000-	) Fitting, Grease, Str Pm04 .47l	4
15	06969	(000000-	) Screw, Hex, M12 X 1.75 X 40, 8.8	2
16	41619	(000000-	) Washer, Flat, 0.56b 1.38d .11, Ss	2
17	09741	(000000-	) Nut, Hex, Lock, M12 X 1.75, NI, Ss	2
18	04733-12	(000000-	) Pin, Clevis, 0.75d X 2.00l	2
19	08236	(000000-	) Pin, Cotter, .156 X 1.25	2
20	223198	(000000-	) Screw, Hex, M5 X 0.8 X 10, Fmg	2
21	1038137	(000000-	) Cylinder, Hyd, 1.5b 07.8l 02.80strk 2500	1
22	77098	(000000-	) Fitting, Hyd, E90, Jm06/Om04	2
23	17461	(000000-	) Pin, Clevis, 0.37d X 1.75l	2
24	86866	(000000-	) Pin, Cotter, Hair, 0.38d .072 Wir	2
25	1031413	(000000-	) Spring, Extn, 1.68od X .203wir, 7.5l	1
26	1027810	(000000-	) Bracket, Mtg, Spring	1
27	763090	(000000-	) Screw, Hex, M8 X 1.25 X 60, FI	1
28	32491	(000000-	) Washer, Flat, 0.31, Std	4
29	1019146	(000000-	) Bracket, Mtg, Lift, Scb Head	1
30	09740	(000000-	) Screw, Hex, M8 X 1.25 X 20, Ss	3
31	39811	(000000-	) Screw, Hex, .50-13 X 1.50, 5	2
32	36644	(000000-	) Nut, Hex, Lock, .50-13, NI, Thin	2
33	1025100	(000000-	) Sleeve, P/M, 0.47b 0.75d 0.5l [430ss]	3

Fig. 36 - Cylindrical Brush Head Skirt Group

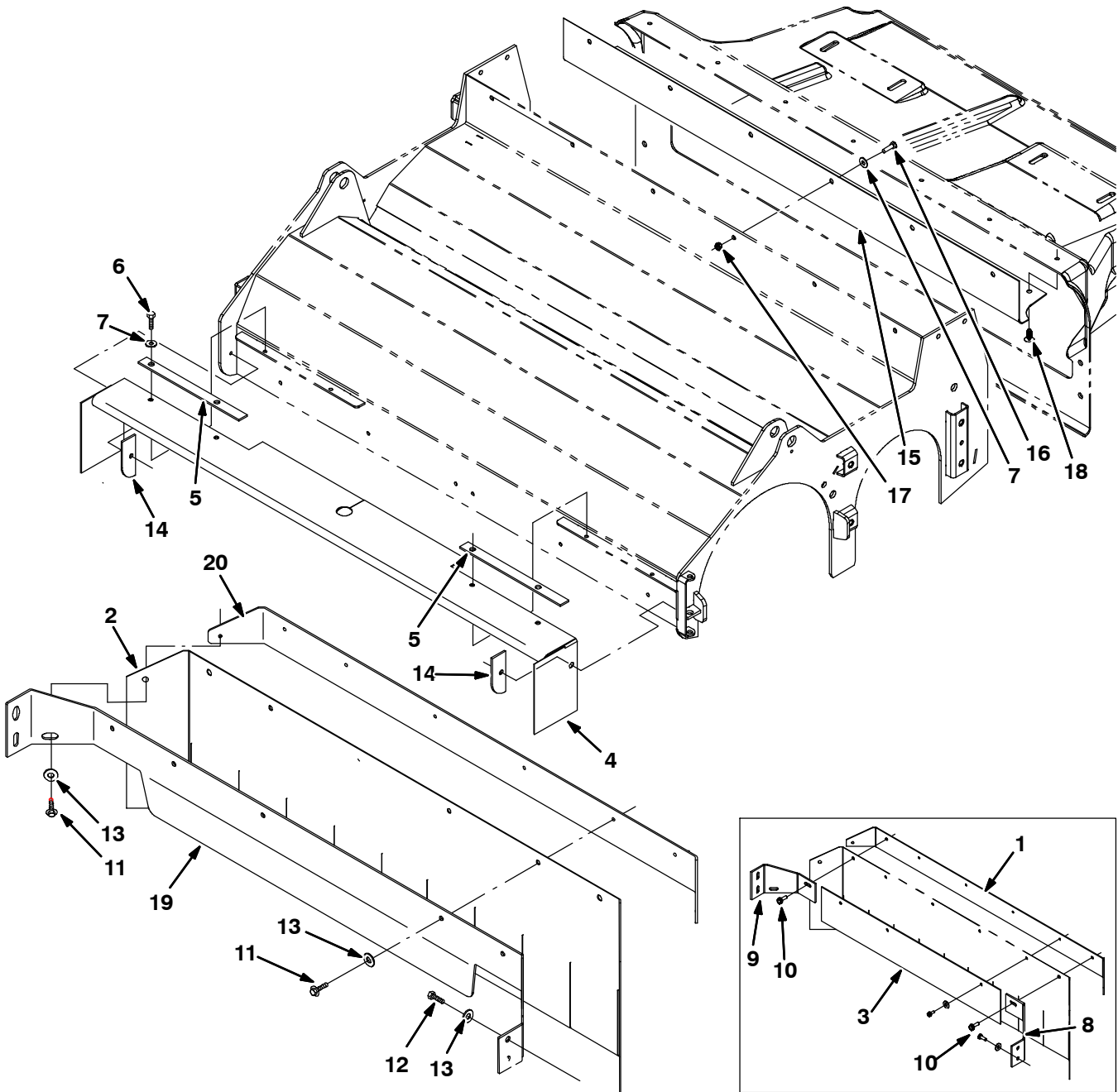


Fig. 36 - Cylindrical Brush Head Skirt Group

Ref.	Part No.	Serial Number	Description	Qty.
1	1020208	(000000-001603 )	Plate, Skirt, Front	1
2	1020166	(000000-	Skirt, Neo, .06, 12.00w 45.88l, 07 Hole	1
3	1020207	(000000-001603 )	Retainer, Skirt, Front	1
4	1022363	(000000-	Skirt, Neo, .06, 07.63w 51.52l, 11 Hole	1
5	1022003	(000000-	Retainer, Skirt	2
6	361339	(000000-	Screw, Hex, M6 X 1.0 X 16, Fmg	6
7	01684	(000000-	Washer, Flat, 0.25, Ss	16
8	1024570	(000000-001603 )	Bracket, Mtg, Skirt	1
9	1020163	(000000-001603 )	Bracket, Mtg, Skirt	1
10	76099	(000000-001603 )	Screw, Hex, M8 X 1.25 X 25, Fmg	4
11	361339	(000000-	Screw, Hex, M6 X 1.0 X 16, Fmg	8
12	09740	(000000-	Screw, Hex, M8 X 1.25 X 20, Ss	4
13	01685	(000000-	Washer, Flat, 0.31, Ss	9
14	1022359	(000000-	Plate, Mtg, Skirt, Scb Head	2
15	1025826	(000000-	Angle, Deflector	1
16	08716	(000000-	Screw, Hex, M6 X 1.0 X 20, Ss	4
17	08712	(000000-	Nut, Hex, Lock, M6 X 1.00, Ss, NI	4
18	21168	(000000-	Clip, .250h, Plstc [Pine-tree]	7
19	1039396	(001604-	Bracket, Mtg, Skirt	1
20	1040018	(001604-	Plate, Skirt, Front	1

**Fig. 37 - Disk Scrub Head Drive Motor Group**

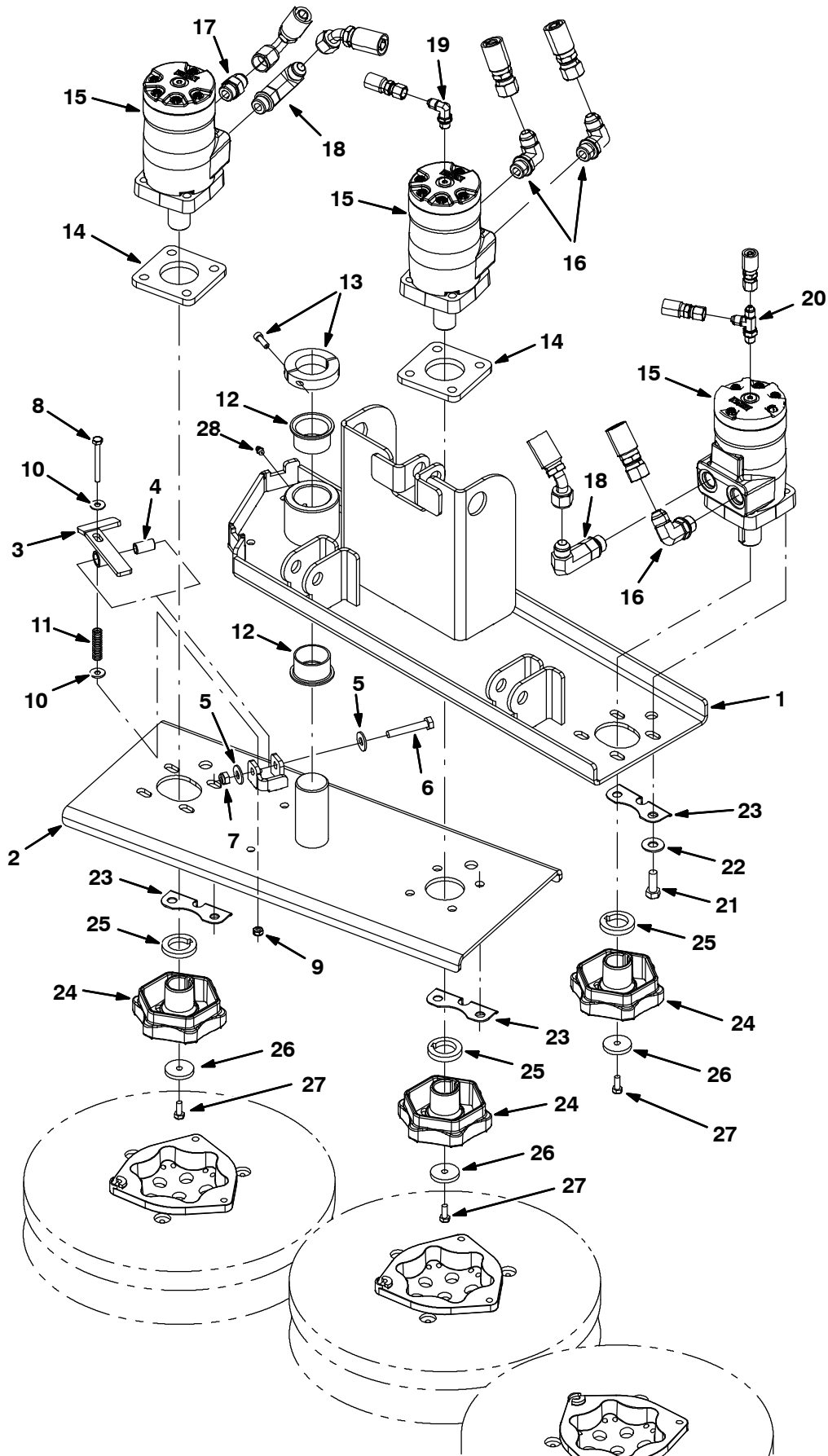




Fig. 37 - Disk Scrub Head Drive Motor Group

Ref.	Part No.	Serial Number	Description	Qty.
	1	9003247	(000000- ) Head Wldt, Disk, Std, Replmt	1
	1	9003249	(000000- ) Head Wldt, Disk, Replmt, Jp (Japn Only)	1
1026101	2	<del>9003247</del>	(000000- ) Head Wldt, Disk, Std, Replmt	1
▽		9003061	(000000- ) Latch Kit, Disk, Replmt [T20]	1
▲	3	1031286	(000000- ) Latch Wldt, Head, Disk	1
▲	4	222496	(000000- ) Sleeve, P/M, 0.31b 0.50d 0.9l [430ss]	1
▲	5	01685	(000000- ) Washer, Flat, 0.31, Ss	2
▲	6	49694	(000000- ) Screw, Hex, M8 X 1.25 X 50, Ss	1
▲	7	08713	(000000- ) Nut, Hex, Lock, M8 X 1.25, NI, Ss	1
▲	8	58979	(000000- ) Screw, Hex, M6 X 1.0 X 55, Ss	1
▲	9	08712	(000000- ) Nut, Hex, Lock, M6 X 1.00, Ss, NI	1
▲	10	01684	(000000- ) Washer, Flat, 0.25, Ss	2
▲	11	1031217	(000000- ) Spring, Cmpr, 0.42od .06wir 1.50l	1
	12	54620	(000000- ) Bushing, Flng, 1.50b 1.65d 1.00l	2
	13	70624	(000000- ) Collar, Split, 1.50b .50w 2/Bolt	1
	14	1025968	(000000- ) Spacer	2
	15	1024407	(000000- ) Motor, Hyd, Gear, Int 09.7 Bi-Dir 2500	3
	16	44868	(000000- ) Fitting, Hyd, E90, Jm08/Om08	3
	17	44869	(000000- ) Fitting, Hyd, Str, Jm08/Om08	1
	18	69173	(000000- ) Fitting, Hyd, E90, Jm08/Om08, L	2
	19	77097	(000000- ) Fitting, Hyd, E90, Jm04/Om04	1
	20	34390	(000000- ) Fitting, Hyd, Tee, Jm04/Jm04/Om04, Run	1
	21	21197	(000000- ) Screw, Hex, .38-16 X 1.00, G5	12
	22	32492	(000000- ) Washer, Flat, 0.38, Std	12
	23	1028495	(000000- ) Brkt, Ftg	3
	24	1042963	(000000- ) Hub, Drive, Brush, Disk, 1.00B [6T]	3
	25	25611	(000000- ) Spacer, Hub, Keyed	3
	26	19191	(000000- ) Spacer	3
	27	25046	(000000- ) Screw, Hex, .25-20 X 1.00, G5	3
	28	07259	(000000- ) Fitting, Grease. Str Pm04 .47L	1

**Fig. 38 - Disk Scrub Head Lift Group**

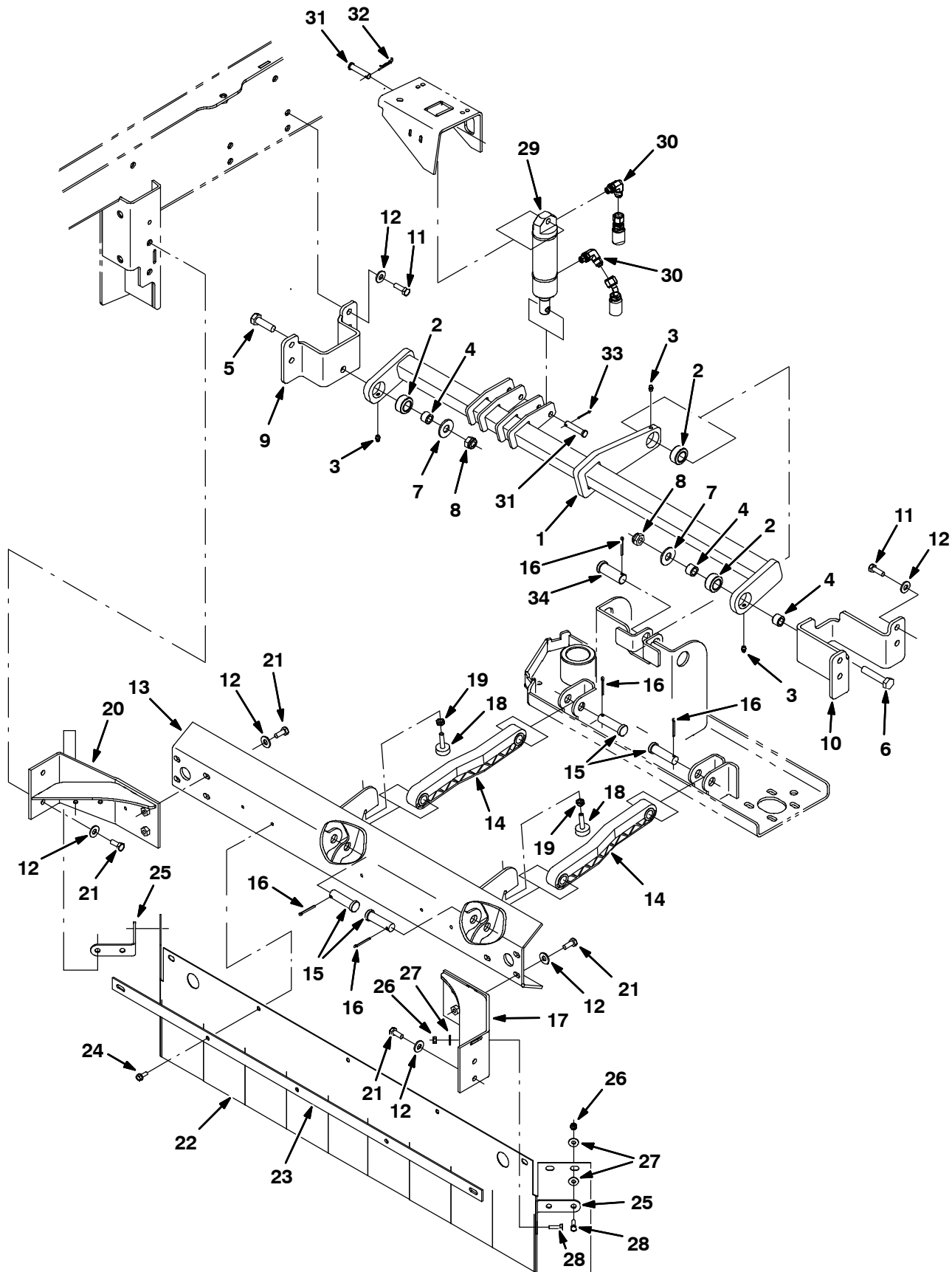


Fig. 38 - Disk Scrub Head Lift Group

Ref.	Part No.	Serial Number	Description	Qty.
1	1026130	(000000-	) Tube Wldt, Torque	1
2	42120	(000000-	) Bearing, Self Align, 0.75b 1.25d	3
3	07259	(000000-	) Fitting, Grease, Str Pm04 .47l	3
4	1025100	(000000-	) Sleeve, P/M, 0.47b 0.75d 0.5l [430ss]	3
5	06969	(000000-	) Screw, Hex, M12 X 1.75 X 40, 8.8	1
6	06972	(000000-	) Screw, Hex, M12 X 1.75 X 60, 8.8	1
7	41619	(000000-	) Washer, Flat, 0.56b 1.38d .11, Ss	2
8	09741	(000000-	) Nut, Hex, Lock, M12 X 1.75, NI, Ss	2
9	1025041	(000000-	) Bracket, Mtg, Torque Tube	1
10	1030558	(000000-	) Bracket, Mtg, Torque Tube	1
11	09010	(000000-	) Screw, Hex, M8 X 1.25 X 25, Ss	8
12	32491	(000000-	) Washer, Flat, 0.31, Std	16
13	1039469	(000000-	) Bracket Wldt, Arm, Lower Cntrl	1
14	222027	(000000-	) Arm, Lift, Head [5700]	2
15	222210	(000000-	) Pin, Clevis, 0.62d X 2.12l	44
16	08175	(000000-	) Pin, Cotter, .125 X 1.25	5
17	1025198	(000000-	) Bracket Wldt, Head, Lower, Lh	1
18	1039468	(000000-	) Bumper, Rbr, 1.00d 0.38th M8x1.25	2
19	07786	(000000-	) Nut, Hex, Std, M8 X 1.25, Ss	2
20	1025320	(000000-	) Bracket Wldt, Head, Lower, Rh	1
21	09740	(000000-	) Screw, Hex, M8 X 1.25 X 20, Ss	8
22	1028433	(000000-	) Skirt, Front, Disk Head	1
23	1028446	(000000-	) Retainer, Skirt, Disk Head	1
24	361339	(000000-	) Screw, Hex, M6 X 1.0 X 16, Fmg	5
25	1028440	(000000-	) Bracket, Angle, Sppt, Shield	2
26	08712	(000000-	) Nut, Hex, Lock, M6 X 1.00, Ss, NI	8
27	01684	(000000-	) Washer, Flat, 0.25, Ss	12
28	08716	(000000-	) Screw, Hex, M6 X 1.0 X 20, Ss	8
29	379030	(000000-	) Cylinder, Hyd, 1.5b,07.8l,02.80strk,2500	1
30	77098	(000000-	) Fitting, Hyd, E90, Jm06/Om04	2
31	17461	(000000-	) Pin, Clevis, 0.37d X 1.75l	2
32	86866	(000000-	) Pin, Cotter, Hair, 0.38d .072 Wir	1
33	08179	(000000-	) Pin, Cotter, .094 X 1.00	1
34	04733-12	(000000-	) Pin, Clevis, 0.75d X 2.00l	1

**Fig. 39 - Rear Squeegee Lift Group**

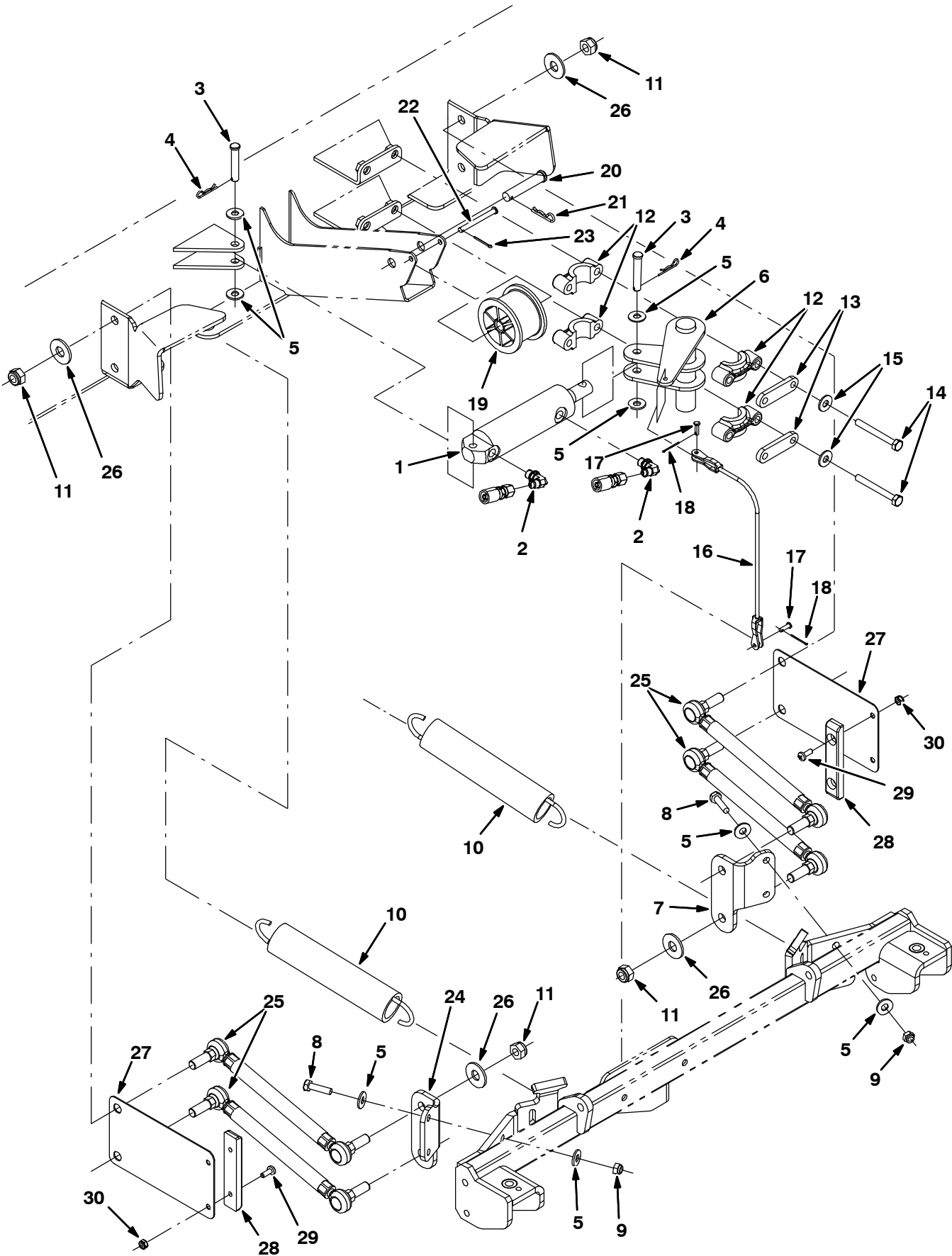


Fig. 39 - Rear Squeegee Lift Group

Ref.	Part No.	Serial Number	Description	Qty.	
1	379030	(000000-	) Cylinder, Hyd, 1.5b,07.8l,02.80strk,2500	1	
2	77097	(000000-	) Fitting, Hyd, E90, Jm04/Om04	2	
3	29584	(000000-	) Pin, Clevis, 0.37d X 2.00l	2	
4	86866	(000000-	) Pin, Cotter, Hair, 0.38d .072 Wir	2	
5	01685	(000000-	) Washer, Flat, 0.31, Ss	12	
6	1022903	(000000-	) Shaft Wldt, Arm, Lift	1	
7	1026804	(000000-	) Angle, Protector, Lh	1	
8	09011	(000000-	) Screw, Hex, M8 X 1.25 X 30, Ss	4	
9	08713	(000000-	) Nut, Hex, Lock, M8 X 1.25, NI, Ss	4	
10	71100	(000000-	) Spring, Extn, 1.69od X 0.20wir, 9.5l	2	
11	09741	(000000-	) Nut, Hex, Lock, M12 X 1.75, NI, Ss	8	
12	381502	(000000-	) Bearing, Split, 1.00b	4	
13	382224	(000000-	) Plate, Sppt	2	
14	09767	(000000-	) Screw, Hex, M8 X 1.25 X 70, Ss	4	
15	32491	(000000-	) Washer, Flat, 0.31, Std	4	
16	71101	(000000-	) Cable, Ss .12d 013.3l .2clevis /.2clevis	1	
17	77488	(000000-	) Pin, Clevis, 0.19d X 0.63l	2	
18	39005	(000000-	) Pin, Cotter, .094X0.75	2	
19	223054	(000000-	) Drum, Cable, Lift	1	
20	06279	(000000-	) Pin, Clevis, 0.50d X 2.50l	1	
21	08179	(000000-	) Pin, Cotter, .094 X 1.00	1	
22	04733-10	(000000-	) Pin, Clevis, 0.25d X 2.44l	1	
23	08178	(000000-	) Pin, Cotter, .062 X 0.75	1	
24	1026806	(000000-	) Angle, Protector, Rh	1	
25	1026007	(000000-	) Link Assy, Rod-End, M12	4	
26	41619	(000000-	) Washer, Flat, 0.56b 1.38d .11, Ss	8	
▽	9003060	(000000-	) Spring Kit, Flat, Replmt [T20]	1	
▲	27	1028049	(000000-	) Spring, Flat, .06 X 4.13 X 6.5l 4 Hole	2
▲	28	1024648	(000000-	) Block, Centering	4
▲	29	367770	(000000-	) Screw, Pan, M6 X 1.0 X 16, Ss	4
▲	30	08712	(000000-	) Nut, Hex, Lock, M6 X 1.00, Ss, NI	4

Fig. 40 - Cylindrical Scrub Head Debris Tray Mount Group

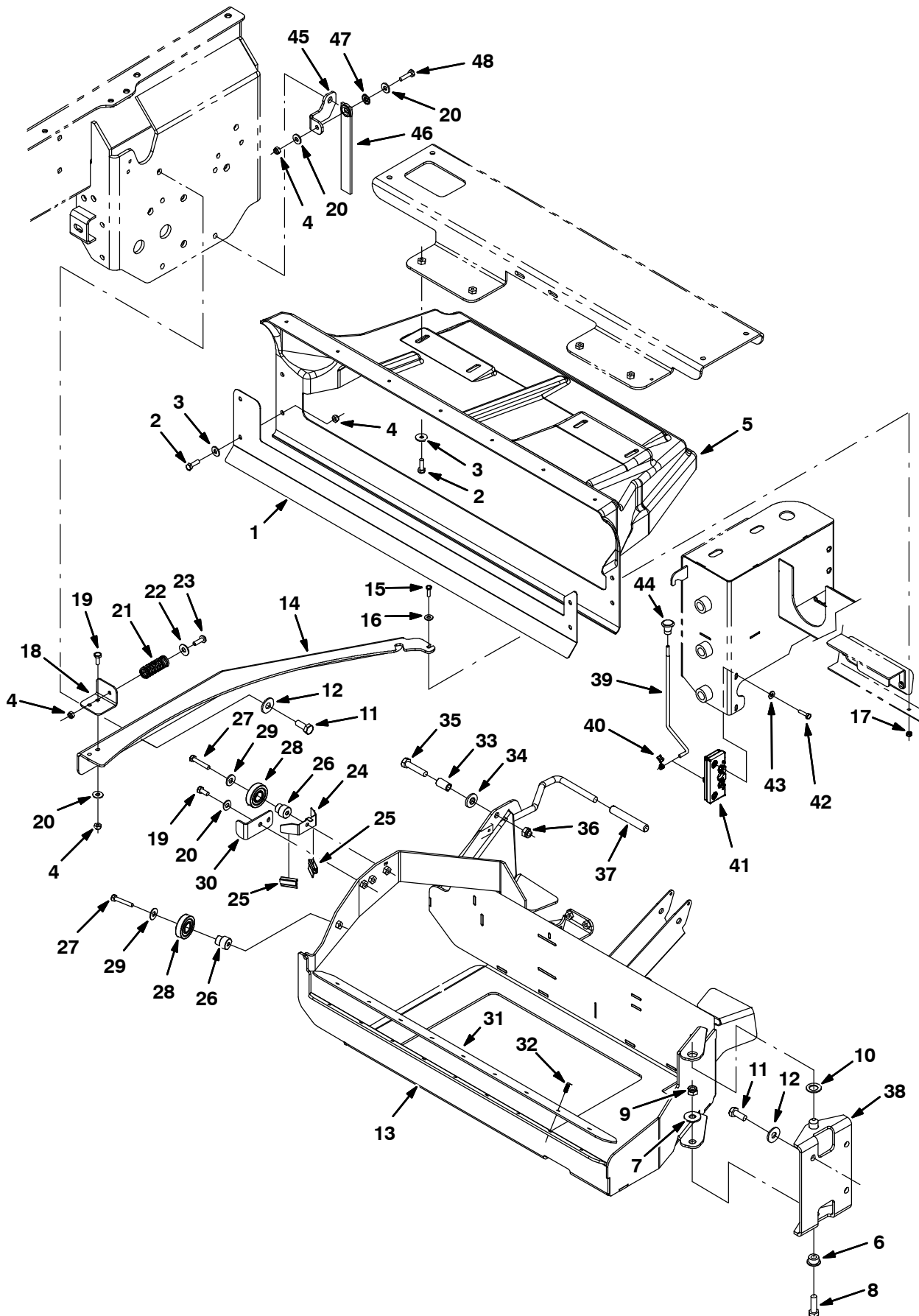


Fig. 40 - Cylindrical Scrub Head Debris Tray Mount Group

	Ref.	Part No.	Serial Number	Description	Qty.
▽		9003059	(000000-	) Shield Kit, Debris, Replmt [T20]	1
▲	1	1028334	(000000-	) Bracket, Sppt, Shield	1
▲	2	09010	(000000-	) Screw, Hex, M8 X 1.25 X 25, Ss	8
▲	3	1017218	(000000-	) Washer, Flat, 0.32b 1.00d .12, Ss	8
▲	4	08713	(000000-	) Nut, Hex, Lock, M8 X 1.25, NI, Ss	8
▲	5	1024658	(000000-	) Shield, Tray, Debris [Trimmed]	1
	6	391804	(000000-	) Sleeve, Flng, 0.48b 1.25/0.88d 0.6l, Stl	1
	7	32493	(000000-	) Washer, Flat, 0.50, Std	1
	8	09029	(000000-	) Screw, Hex, M12 X 1.75 X 40, Ss	1
	9	09741	(000000-	) Nut, Hex, Lock, M12 X 1.75, NI, Ss	1
	10	53782	(000000-	) Bearing, Thrust, 0.75b 1.25d 0.06w	1
	11	12309	(000000-	) Screw, Hex, M12 X 1.75 X 30, Ss	6
	12	32493	(000000-	) Washer, Flat, 0.50, Std	6
	13	1023334	(000000-	) Frame Wldt, Hppr	1
	14	1022683	(000000-	) Guide, Rlr	1
	15	08716	(000000-	) Screw, Hex, M6 X 1.0 X 20, Ss	1
	16	01684	(000000-	) Washer, Flat, 0.25, Ss	1
	17	08712	(000000-	) Nut, Hex, Lock, M6 X 1.00, Ss, NI	1
	18	1027108	(000000-	) Bracket, Spring	1
	19	09740	(000000-	) Screw, Hex, M8 X 1.25 X 20, Ss	4
	20	01685	(000000-	) Washer, Flat, 0.31, Ss	6
	21	45261	(000000-	) Spring, Cmpr, 0.97od .11wir 2.5l	1
	22	01686	(000000-	) Washer, Flat, 0.44b 1.00d .08, Ss	1
	23	367771	(000000-	) Screw, Pan, M8 X 1.25 X 25, Ss	1
	24	1027147	(000000-	) Clip, Wiper	1
	25	1031351	(000000-	) Seal, Wiper	2
	26	1023685	(000000-	) Spacer, Rlr	2
	27	222505	(000000-	) Screw, Hex, M8 X 1.25 X 45, Ss	2
	28	760740	(000000-	) Bearing, Rlr, Cam 52 X 14 X 20	2
	29	1017218	(000000-	) Washer, Flat, 0.32b 1.00d .12, Ss	2
	30	1027143	(000000-	) Bracket, Angle, Stop	1
▽	31	9003058	(000000-	) Lip Kit, Debris, Replmt [T20]	1
▲	32	21168	(000000-	) Clip, .250h, Plstc [Pine-Tree]	9
	33	1039348	(000000-	) Sleeve, 0.49b 0.68d 1.2l [304ss]	1
	34	36328	(000000-	) Washer, Flat, Belleville, .50	1
	35	379870	(000000-	) Screw, Hex, M12 X 1.75 X 55, Ss	1
	36	09741	(000000-	) Nut, Hex, Lock, M12 X 1.75, NI, Ss	1
	37	1028249	(000000-	) Grip, Handle, .50d 4.0l Yel	1
	38	1022668	(000000-	) Bracket Wldt, Pivot	1
	39	1023917	(000000-	) Rod, Latch	1
	40	1031305	(000000-	) Clip, Retainer, .25d	1
	41	21623	(000000-	) Latch	1
	42	09007	(000000-	) Screw, Hex, M6 X 1.0 X 25, Ss	2
	43	41185	(000000-	) Washer, Flat, Belleville, .25	2
	44	1032546	(000000-	) Knob, Rnd, 1.04d 1.18l .25-20 Yel Plstc	1
	45	1031152	(000000-	) Bracket, Mtg, Static Strap	1
	46	71579	(000000-	) Strap, Static, .19 1.1w 25.0l W/ Grommet	1
	47	41141	(000000-	) Washer, Lock, Int-Ext, 0.31	1
	48	09011	(000000-	) Screw, Hex, M8 X 1.25 X 30, Ss	1

Fig. 41 - Cylindrical Scrub Head Debris Tray Group

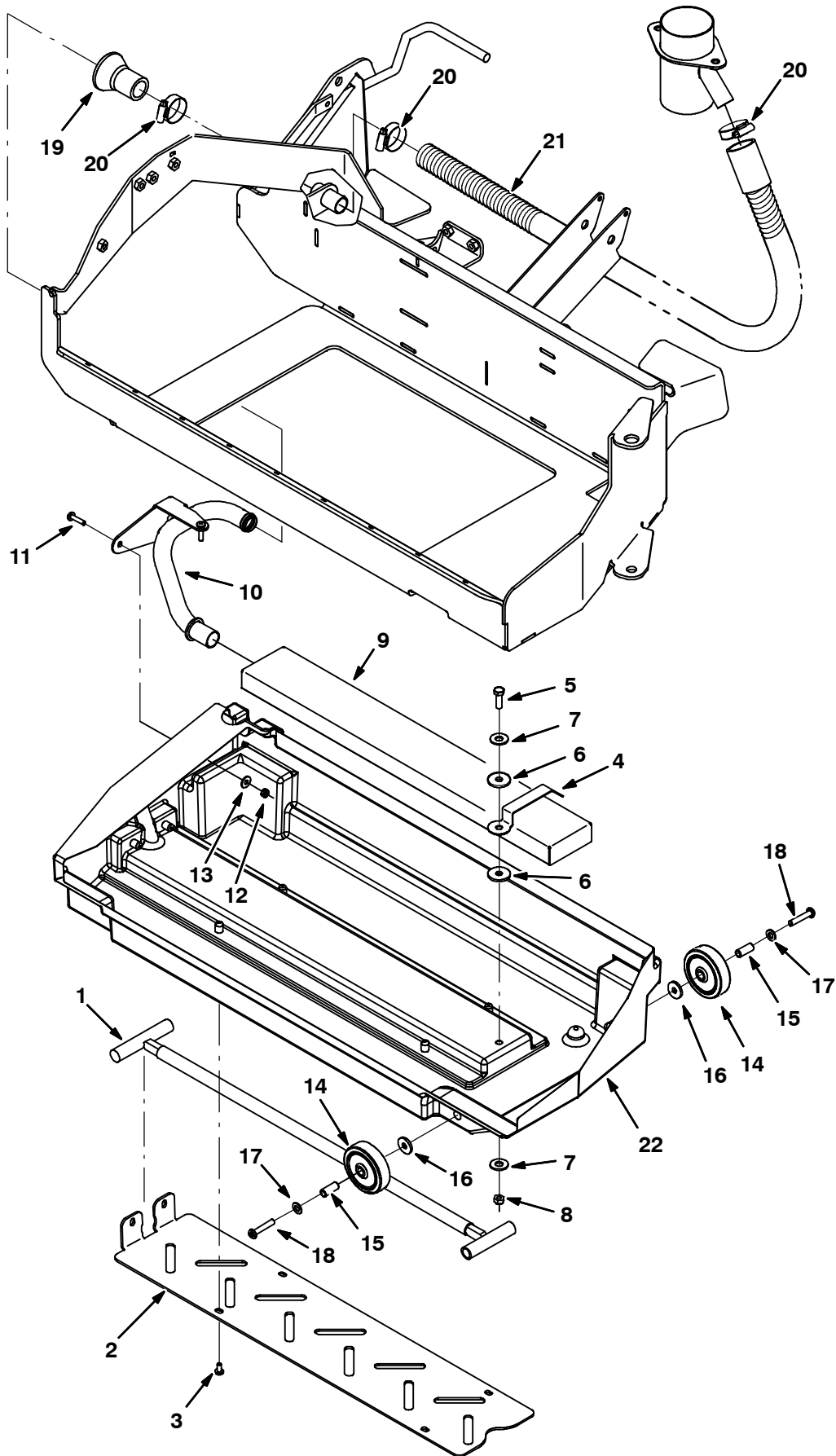




Fig. 41 - Cylindrical Scrub Head Debris Tray Group

Ref.	Part No.	Serial Number	Description	Qty.
▽	9003055	(000000-	) Tray Kit, Debris, Replmt [T20]	1
▲	1 1026417	(000000-	) Handle Wldt, T, Hpr	1
▲	2 1026195	(000000-	) Panel, Access, Debris Tray	1
▲	3 74027	(000000-	) Screw, Pan, M6 X 1.0 X 12, Ss, NI	6
▲	4 1026900	(000000-	) Spring, Flat, Retainer, Screen	1
▲	5 09010	(000000-	) Screw, Hex, M8 X 1.25 X 25, Ss	1
▲	6 222268	(000000-	) Washer, Flat, 0.38b 1.25d .12, Neo	2
▲	7 01686	(000000-	) Washer, Flat, 0.44b 1.00d .08, Ss	2
▲	8 08713	(000000-	) Nut, Hex, Lock, M8 X 1.25, NI, Ss	1
▲	9 1024309	(000000-	) Strainer Wldt, Trough, Debris 4.3w 15.L	1
▲	10 1026831	(000000-	) Tube Wldt, Vacuum	1
▲	11 1019526	(000000-	) Screw, Pan, M6 X 1.0 X 25, Ss	3
▲	12 08712	(000000-	) Nut, Hex, Lock, M6 X 1.00, Ss, NI	3
▲	13 01684	(000000-	) Washer, Flat, 0.25, Ss	3
▲	14 81582	(000000-	) Wheel, 3.0d 0.87w 0.44b, Rbr, Pp Core	2
▲	15 393129	(000000-	) Sleeve, P/M, 0.31B 0.44D 1.2L [430Ss]	2
▲	16 1017218	(000000-	) Washer, Flat, 0.32b 1.00d .12, Ss	2
▲	17 39349	(000000-	) Washer, Flat, 0.31, Sae	2
▲	18 397826	(000000-	) Screw, Btn, M8 X 1.25 X 40, Ss	2
▲	19 1023063	(000000-	) Coupling, Tube, Vacuum	1
	20 11399	(000000-	) Clamp, Hose, Wormdrive, 0.81-1.50d, .50w	3
	21 1040098	(000000-	) Hose Assy, W/1cuff, 1.0d, 030l 1.25/	1
	22 1024450	(000000-	) Tray, Debris, Trimmed	1

Fig. 42 - Squeegee Group, Rear

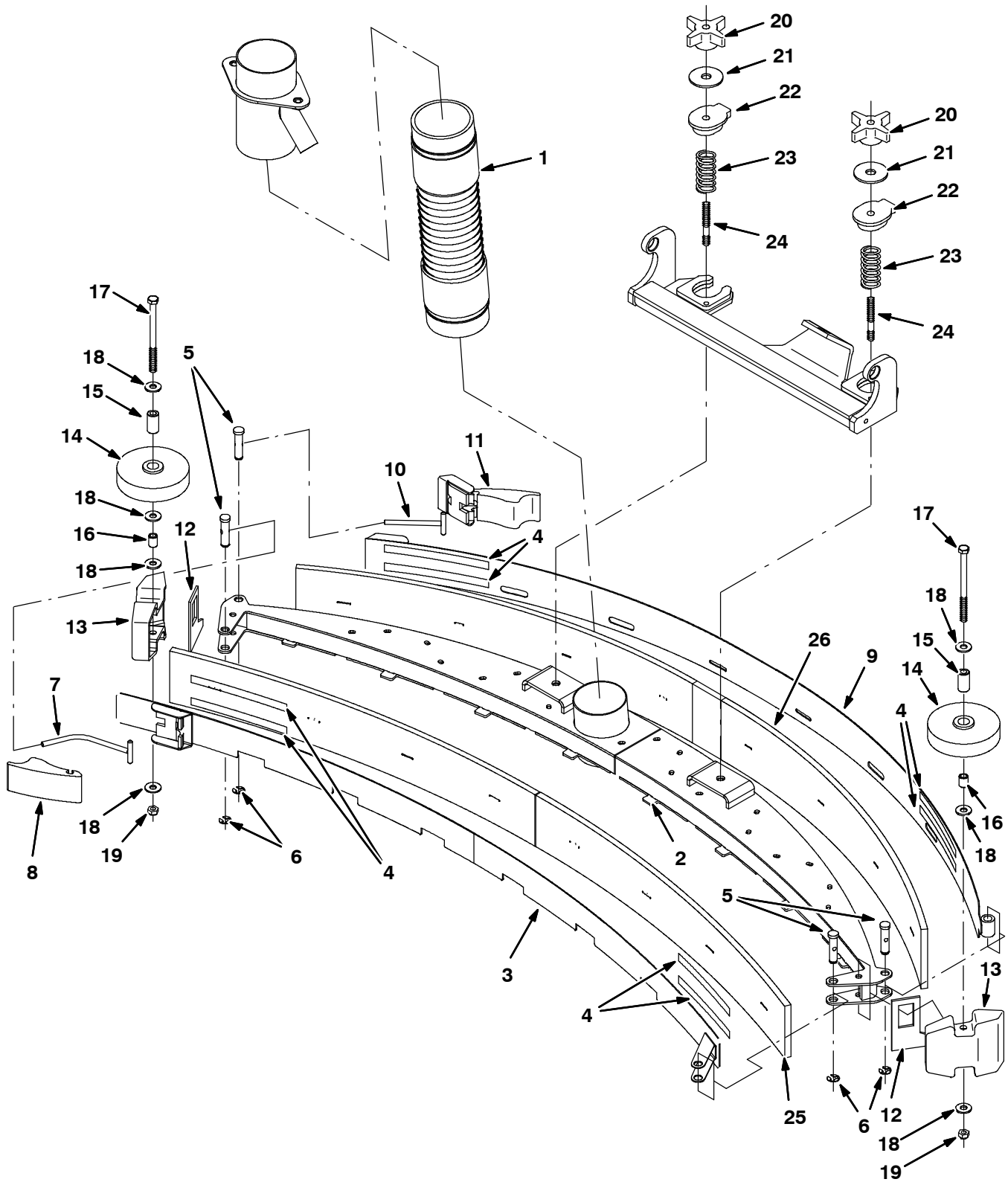


Fig. 42 - Squeegee Group, Rear

Ref.	Part No.	Serial Number	Description	Qty.
	1	1028236	(000000- ) Hose Assy, W/2cuff, 3.0d 14l 3.0/3.0	1
▽	9004493	(000000- )	Squeegee Kit, Rear, Replmt [M20/T20]	1
▲	2	1022831	(000000- ) Squeegee Wldt, Rear	1
▲	3	1023239	(000000- ) Clamp Wldt, Front	1
▲	4	03495	(000000- ) Strip, Non-Slip, 0.50w 06.0l	8
▲	5	21603	(000000- ) Pin, Grvd, 0.43d 01.8l [303ss]	4
▲	6	24555	(000000- ) Ring, Retaining, Ext, 0.38d, [E-Ring]	4
▲	7	386298	(000000- ) Pin Wldt, Front	1
▲	8	21601	(000000- ) Cam	1
▲	9	1028374	(000000- ) Clamp Wldt, Rear	1
▲	10	21606	(000000- ) Bar Wldt, Retainer, Sqge, Rear	1
▲	11	21602	(000000- ) Cam, Rear	1
▲	12	83874	(000000- ) Gasket, Sqge	2
▲	13	386264	(000000- ) Bumper, Sqge	2
▲	14	363162	(000000- ) Wheel, 4.0d 0.89w 0.64b	2
▲	15	363301	(000000- ) Sleeve, P/M, 0.34b 0.63d 1.2l, Bnz	2
▲	16	80395	(000000- ) Sleeve, P/M, 0.31b 0.50d 0.7l [430ss]	2
▲	17	364441	(000000- ) Screw, Hex, M8 X 1.25 X 110, Ss	2
▲	18	01685	(000000- ) Washer, Flat, 0.31, Ss	10
▲	19	08713	(000000- ) Nut, Hex, Lock, M8 X 1.25, NI, Ss	2
	20	370100	(000000- ) Knob, Star, 2.80d 4ear 1.1l .31-18 Pyp	2
	21	04414	(000000- ) Washer, Flat, 0.53b 1.88d .12, Stl, Pl	2
	22	387433	(000000- ) Ring, Mtg, Sqge, .50l	2
	23	387500	(000000- ) Spring, Cmpr, 0.9od .042wir 02.0l	2
	24	387237	(000000- ) Stud, .31-18 2.75l M8 X 1.25, Ss	2
	25	1027719	(000000- ) Blade, Sqge, Front, 49.58l Ure (Option)	1
	25	1017868	(000000- ) Blade, Sqge, Front, 49.58l Linatex	1
	26	1031945	(000000- ) Blade, Sqge, Rear, 53.78l Ure (Option)	1
	26	1031331	(000000- ) Blade, Sqge, Rear, Linatex	1

**Fig. 43 - Squeegee Linkage Group, Rear**

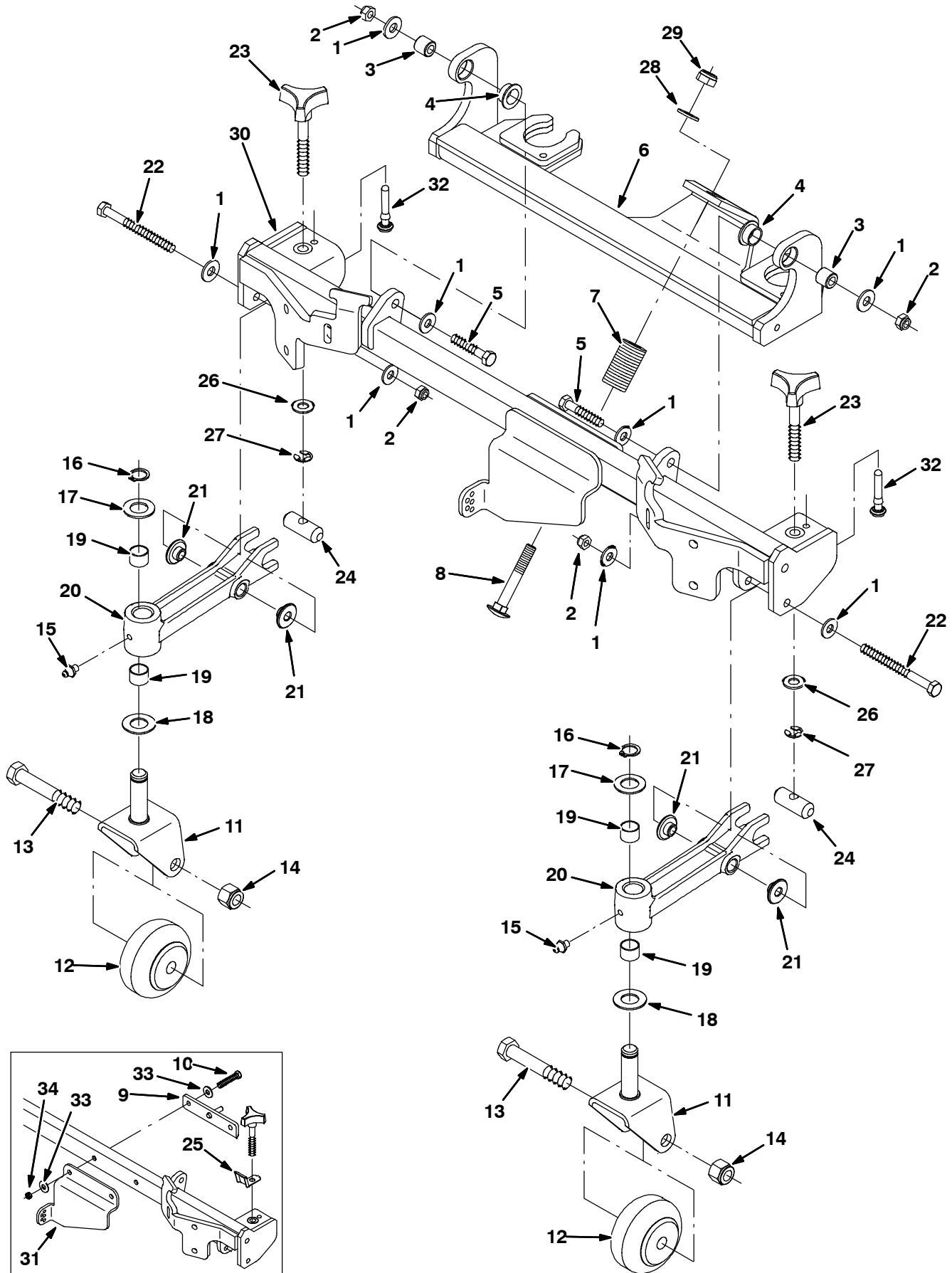


Fig. 43 - Squeegee Linkage Group, Rear

Ref.	Part No.	Serial Number	Description	Qty.
1	01685	(000000-	) Washer, Flat, 0.31, Ss	6
2	08713	(000000-	) Nut, Hex, Lock, M8 X 1.25, NI, Ss	4
3	80409	(000000-	) Sleeve, P/M, 0.34b 0.63d 0.6l, Bnz	2
4	25735	(000000-	) Bushing, Fling, 0.63b 0.75d 0.38l	2
5	222505	(000000-	) Screw, Hex, M8 X 1.25 X 45, Ss	2
6	1023476	(000000-	) Bracket Wldt, Mtg, Sqge	1
7	65180	(000000-	) Spring, Dsl, 1.00od 0.50id 1.7l	1
8	1025601	(000000-	) Bolt, Carriage, M10 X 1.5 X 70	1
9	1034147	(000000-001524	) Pin Wldt, Lift (Replaced By 9003478)	1
10	222505	(000000-001524	) Screw, Hex, M8 X 1.25 X 45, Ss	2
11	1021404	(000000-	) Bracket Wldt, Mtg, Caster	2
12	20833	(000000-	) Wheel, 3.0d 1.38w 0.50b	2
13	81952	(000000-	) Screw, Hex, .50-13 X 3.00, Ss18-8	2
14	02931	(000000-	) Nut, Hex, Lock, .50-13, NI, Ss	2
15	07259	(000000-	) Fitting, Grease, Str Pm04 .47l	2
16	33373	(000000-	) Ring, Retaining, Ext, 0.62d, Hd	2
17	63468	(000000-	) Washer, Flat, 0.69b 1.19d .06, Stl, Pl	2
18	64425	(000000-	) Washer, Thrust, 0.61b 1.25d .06, Fgl	2
19	07449	(000000-	) Bushing, Sleeve, 0.62b 0.72d 0.50l, Fgl	4
20	1025460	(000000-	) Caster, Pivot	2
21	80950	(000000-	) Bushing, Fling, 0.32b 0.50d 0.24l, Bnz	4
22	39281	(000000-	) Screw, Hex, M8 X 1.25 X 90, 8.8	2
23	1021546	(000000-	) Knob Assy, Star, 1.12d 3ear M10	2
24	1021497	(000000-	) Pin, 0.63d 01.8l, 1/M10h, 2cham	2
25	1022545	(000000-001508	) Spring, Keeper	2
26	32485	(000000-	) Washer, Flat, 0.38 Sae	2
27	24555	(000000-	) Ring, Retaining, Ext, 0.38d, [E-Ring]	2
28	32492	(000000-	) Washer, Flat, 0.38 Std	1
29	08714	(000000-	) Nut, Hex, Lock, M10 X 1.5, NI, Ss	1
30	1034282	(000000-	) Crossmember Wldt, Lift	1
31	1025178	(000000-001524	) Bracket, Lift, Sqge	1
32	1035727	(001509-	) Stop, Rotation	1
33	01685	(000000-001524	) Washer, Flat, 0.38b 0.88d .08, Ss	4
34	08713	(000000-001524	) Nut, Hex, Lock, M8 X 1.25, NI, Ss	2

Fig. 44 - Cylindrical Scrub Head Squeegee Group, Right Side

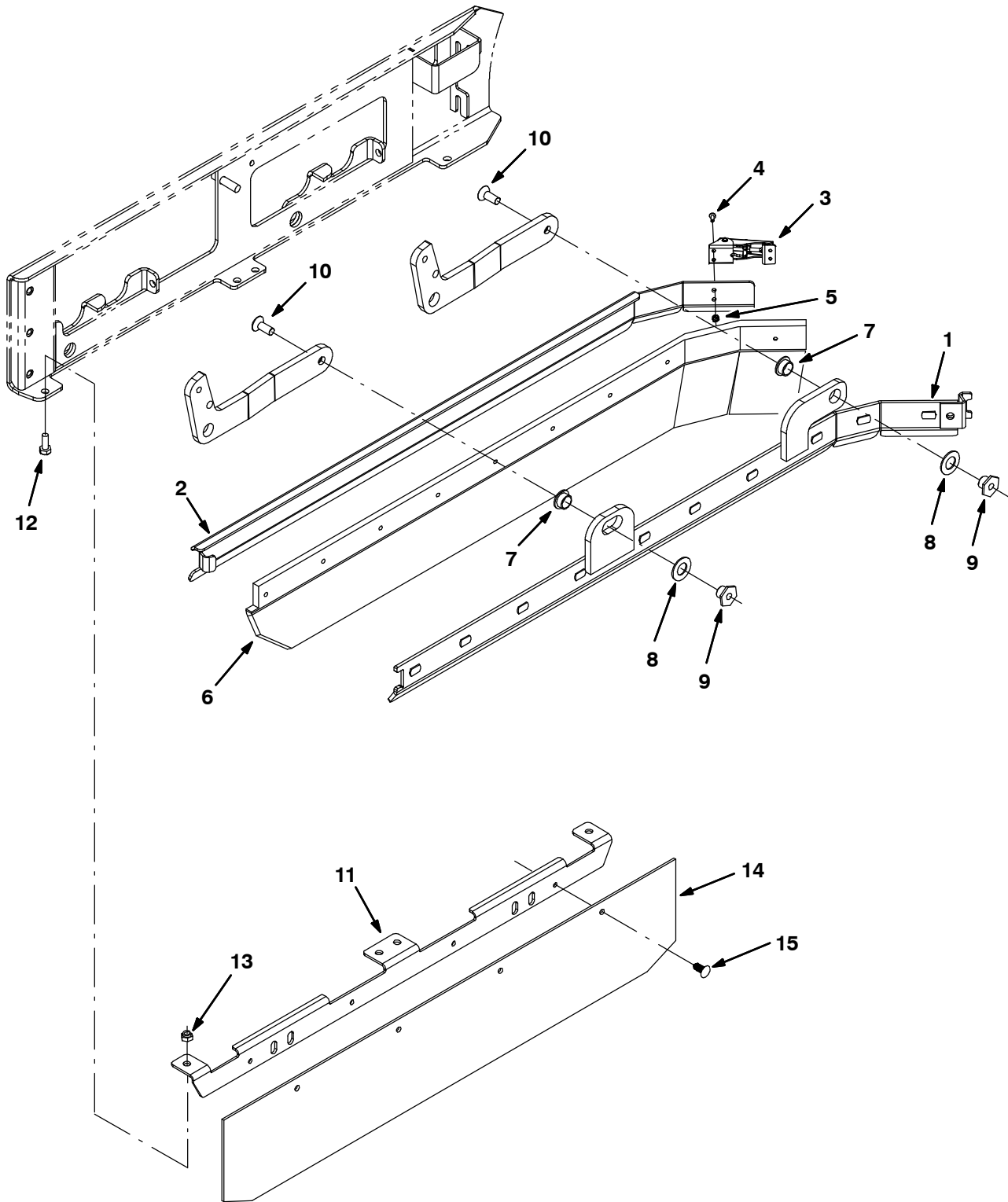


Fig. 44 - Cylindrical Scrub Head Squeegee Group, Right Side

Ref.	Part No.	Serial Number	Description	Qty.
1	1029132	(000000-	) Frame Wldt, Sqge, Rh	1
2	1029128	(000000-	) Retainer, Sqge, Side, Rh	1
3	384418	(000000-	) Latch, Door [Southco 91-562-07]	1
4	49697	(000000-	) Screw, Pan, M4 X 0.7 X 10, Ss	2
5	33932	(000000-	) Nut, Hex, Lock, M4 X 0.7, NI, Ss	2
6	1031011	(000000-	) Blade, Sqge, .38 3.55w 038.3l, Linatex	1
6	1031823	(000000-	) Blade, Sqge, .38 3.55w 038.3l, Ure (Option)	1
7	25735	(000000-	) Bushing, Flng, 0.63b 0.75d 0.38l	2
8	64425	(000000-	) Washer, Thrust, 0.61b 1.25d .06, Fgl	2
9	1022846	(000000-	) Nut, T, M10 X 1.50 X 15.8od X 13.0l	2
10	09081	(000000-	) Screw, Flt, M10 X 1.5 X 25, 10.9	2
11	1025151	(000000-	) Bracket, Mtg, Skirt, Door, Brush	1
12	393135	(000000-	) Screw, Btn, M8 X 1.25 X 20, Blk	4
13	08713	(000000-	) Nut, Hex, Lock, M8 X 1.25, NI, Ss	4
▽	14	9003057	(000000-) Shield Kit, Side, Replmt [T20]	1
▲	15	21168	(000000-) Clip, .250h, Plstc [Pine-Tree]	4

**Fig. 45 - Squeegee Lift Group, Right Side**

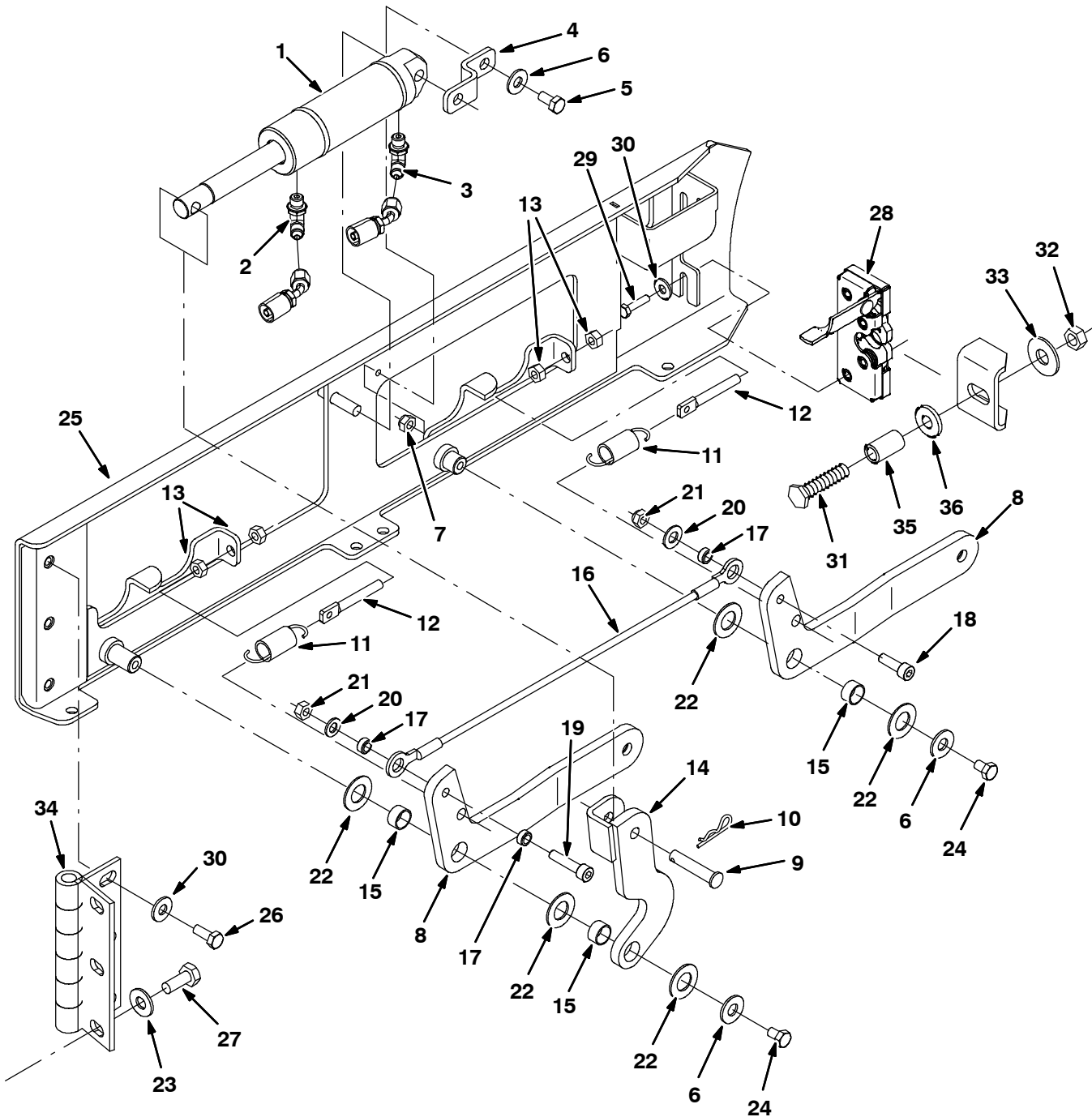




Fig. 45 - Squeegee Lift Group, Right Side

Ref.	Part No.	Serial Number	Description	Qty.
1	1038137	(000000-	) Cylinder, Hyd, 1.5b 07.8l 02.80strk 2500	1
2	77097	(000000-	) Fitting, Hyd, E90, Jm04/Om04	1
3	1028635	(000000-	) Fitting, Hyd, Rst, Spcl	1
4	1022825	(000000-	) Bracket, Mtg, Cyl	1
5	09740	(000000-	) Screw, Hex, M8 X 1.25 X 20, Ss	1
6	01685	(000000-	) Washer, Flat, 0.31, Ss	3
7	08713	(000000-	) Nut, Hex, Lock, M8 X 1.25, NI, Ss	1
8	1020548	(000000-	) Arm, Sqge, Side, Rh	2
9	17461	(000000-	) Pin, Clevis, 0.37D X 1.75L	1
10	08182	(000000-	) Pin, Cotter, .125 X 1.00	1
11	87816	(000000-	) Spring, Extn, 0.75od X 0.09wir, 2.5l	2
12	386088	(000000-	) Bolt, Eye, M08 X 1.25 X 070mm, 05.50 Eye	2
13	07786	(000000-	) Nut, Hex, Std, M8 X 1.25, Ss	4
14	1023306	(000000-	) Arm Wldt, Sqge, Lift, Rh	1
15	71607	(000000-	) Bushing, Sleeve, 0.63b 0.72d 0.38l	3
16	81784	(000000-	) Cable, Glv .13d 015.8l .50eye /.50eye	1
17	360801	(000000-	) Sleeve, 0.31b 0.50d 0.3l, Ss	3
18	39308	(000000-	) Screw, Soc, M8 X 1.25 X 25, 12.9	1
19	41445	(000000-	) Screw, Soc, M8 X 1.25 X 35, 12.9	1
20	39349	(000000-	) Washer, Flat, 0.31 Sae	2
21	08709	(000000-	) Nut, Hex, Lock, M8 X 1.25, NI	2
22	64425	(000000-	) Washer, Thrust, 0.61b 1.25d .06, Fgl	5
23	41187	(000000-	) Washer, Flat, Belleville, .38	3
24	09740	(000000-	) Screw, Hex, M8 X 1.25 X 20, Ss	2
25	1019031	(000000-	) Door Wldt, Brush, Rh	1
26	09028	(000000-	) Screw, Hex, M10 X 1.5 X 25, Ss	3
27	09740	(000000-	) Screw, Hex, M8 X 1.25 X 20, Ss	3
28	59194	(000000-	) Latch, Hook	1
29	09007	(000000-	) Screw, Hex, M6 X 1.0 X 25, Ss	2
30	41185	(000000-	) Washer, Flat, Belleville, .25	5
31	379870	(000000-	) Screw, Hex, M12 X 1.75 X 55, Ss	1
32	07788	(000000-	) Nut, Hex, Std, M12 X 1.75, Ss	1
33	41619	(000000-	) Washer, Flat, 0.56b 1.38d .11, Ss	1
34	1024576	(000000-	) Hinge, .50pin .19 4.0w 06.0l 3/0.44sl	1
35	36328	(000000-	) Washer, Flat, Belleville, .50	1
36	1039348	(000000-	) Sleeve, 0.49b 0.68d 1.2l [304ss]	1

**Fig. 46 - Cylindrical Scrub Head Squeegee Group, Left Side**

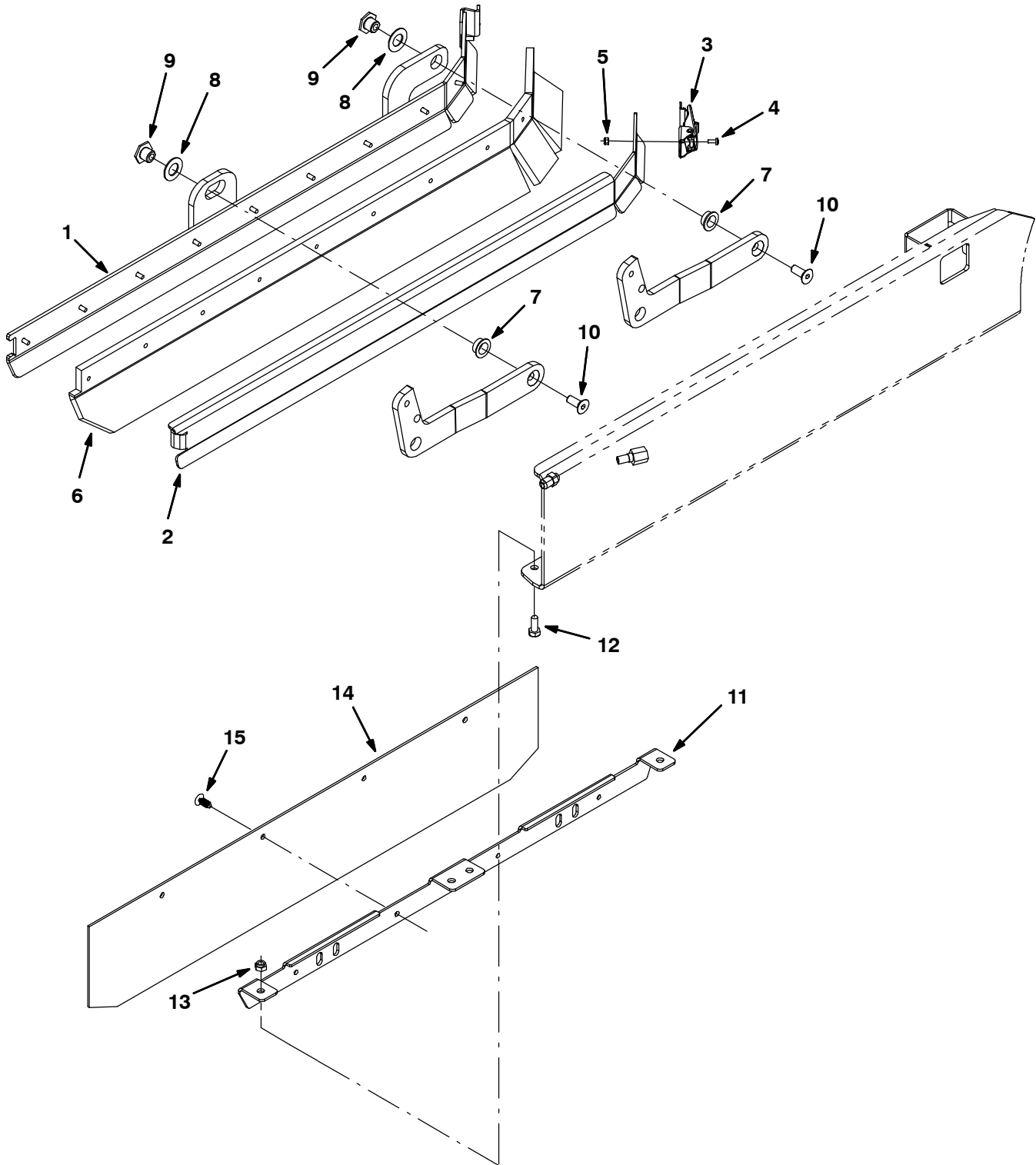


Fig. 46 - Cylindrical Scrub Head Squeegee Group, Left Side

Ref.	Part No.	Serial Number	Description	Qty.
1	1028972	(000000-	) Frame Wldt, Sqge, Lh	1
2	1028979	(000000-	) Retainer, Sqge, Side, Lh	1
3	384418	(000000-	) Latch, Door [Southco 91-562-07]	1
4	49697	(000000-	) Screw, Pan, M4 X 0.7 X 10, Ss	2
5	33932	(000000-	) Nut, Hex, Lock, M4 X 0.7, NI, Ss	2
6	1031011	(000000-	) Blade, Sqge, 37.08l Linatex	1
6	1031823	(000000-	) Blade, Sqge, .38 3.55w 038.3l, Ure (Option)	1
7	25735	(000000-	) Bushing, Flng, 0.63b 0.75d 0.38l	2
8	64425	(000000-	) Washer, Thrust, 0.61b 1.25d .06, Fgl	2
9	1022846	(000000-	) Nut, T, M10 X 1.50 X 15.8od X 13.0l	1
10	09081	(000000-	) Screw, Flt, M10 X 1.5 X 25, 10.9	2
11	1025151	(000000-	) Bracket, Mtg, Skirt, Door, Brush	1
12	393135	(000000-	) Screw, Btn, M8 X 1.25 X 20, Blk	4
13	08713	(000000-	) Nut, Hex, Lock, M8 X 1.25, NI, Ss	4
▽	14	9003057	(000000-) Shield Kit, Side, Replmt [T20]	1
▲	15	21168	(000000-) Clip, .250h, Plstc [Pine-Tree]	4

**Fig. 47 - Squeegee Lift Group, Left Side**

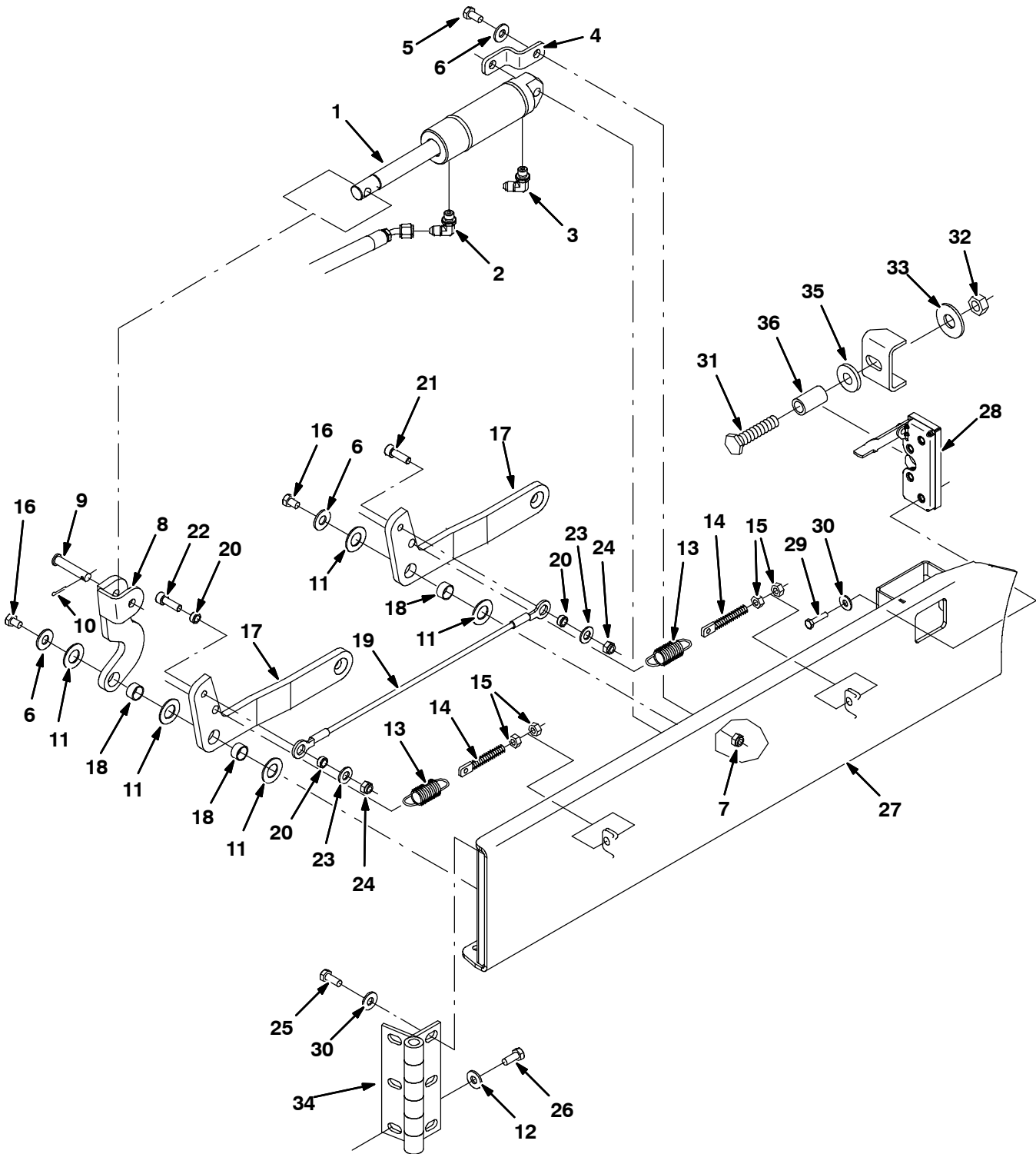


Fig. 47 - Squeegee Lift Group, Left Side

Ref.	Part No.	Serial Number	Description	Qty.
1	1038137	(000000-	) Cylinder, Hyd, 1.5b 07.8l 02.80strk 2500	1
2	77097	(000000-	) Fitting, Hyd, E90, Jm04/Om04	1
3	1028635	(000000-	) Fitting, Hyd, Rst, Spcl	1
4	1022825	(000000-	) Bracket, Mtg, Cyl	1
5	09740	(000000-	) Screw, Hex, M8 X 1.25 X 20, Ss	1
6	01685	(000000-	) Washer, Flat, 0.31, Ss	3
7	08713	(000000-	) Nut, Hex, Lock, M8 X 1.25, NI, Ss	1
8	1022978	(000000-	) Arm Wldt, Lift, Sqge, Lh	1
9	17461	(000000-	) Pin, Clevis, 0.37D X 1.75L	1
10	08182	(000000-	) Pin, Cotter, .125 X 1.00	1
11	64425	(000000-	) Washer, Thrust, 0.61b 1.25d .06, Fgl	5
12	41187	(000000-	) Washer, Flat, Belleville, .38	3
13	87816	(000000-	) Spring, Extn, 0.75od X 0.09wir, 2.5l	2
14	386088	(000000-	) Bolt, Eye, M08 X 1.25 X 070mm, 05.50 Eye	2
15	07786	(000000-	) Nut, Hex, Std, M8 X 1.25, Ss	4
16	09740	(000000-	) Screw, Hex, M8 X 1.25 X 20, Ss	2
17	1023307	(000000-	) Arm, Sqge, Side, Lh	2
18	71607	(000000-	) Bushing, Sleeve, 0.63b 0.72d 0.38l	3
19	81784	(000000-	) Cable, Glv .13d 015.8l .50eye /.50eye	1
20	360801	(000000-	) Sleeve, 0.31b 0.50d 0.3l, Ss	3
21	39308	(000000-	) Screw, Soc, M8 X 1.25 X 25, 12.9	1
22	41445	(000000-	) Screw, Soc, M8 X 1.25 X 35, 12.9	1
23	39349	(000000-	) Washer, Flat, 0.31 Sae	2
24	08709	(000000-	) Nut, Hex, Lock, M8 X 1.25, NI	2
25	09028	(000000-	) Screw, Hex, M10 X 1.5 X 25, Ss	3
26	09740	(000000-	) Screw, Hex, M8 X 1.25 X 20, Ss	6
27	1023314	(000000-	) Door Wldt, Brush, Lh	1
28	59195	(000000-	) Latch, Hook	1
29	09007	(000000-	) Screw, Hex, M6 X 1.0 X 25, Ss	2
30	41185	(000000-	) Washer, Flat, Belleville, .25	5
31	379870	(000000-	) Screw, Hex, M12 X 1.75 X 55, Ss	1
32	07788	(000000-	) Nut, Hex, Std, M12 X 1.75, Ss	1
33	41619	(000000-	) Washer, Flat, 0.56b 1.38d .11, Ss	1
34	1024576	(000000-	) Hinge, .50pin .19 4.0w 06.0l 3/0.44sl	1
35	36328	(000000-	) Washer, Flat, Belleville, .50	1
36	1039348	(000000-	) Sleeve, 0.49b 0.68d 1.2l [304ss]	1

Fig. 48 - Solution Tank Group

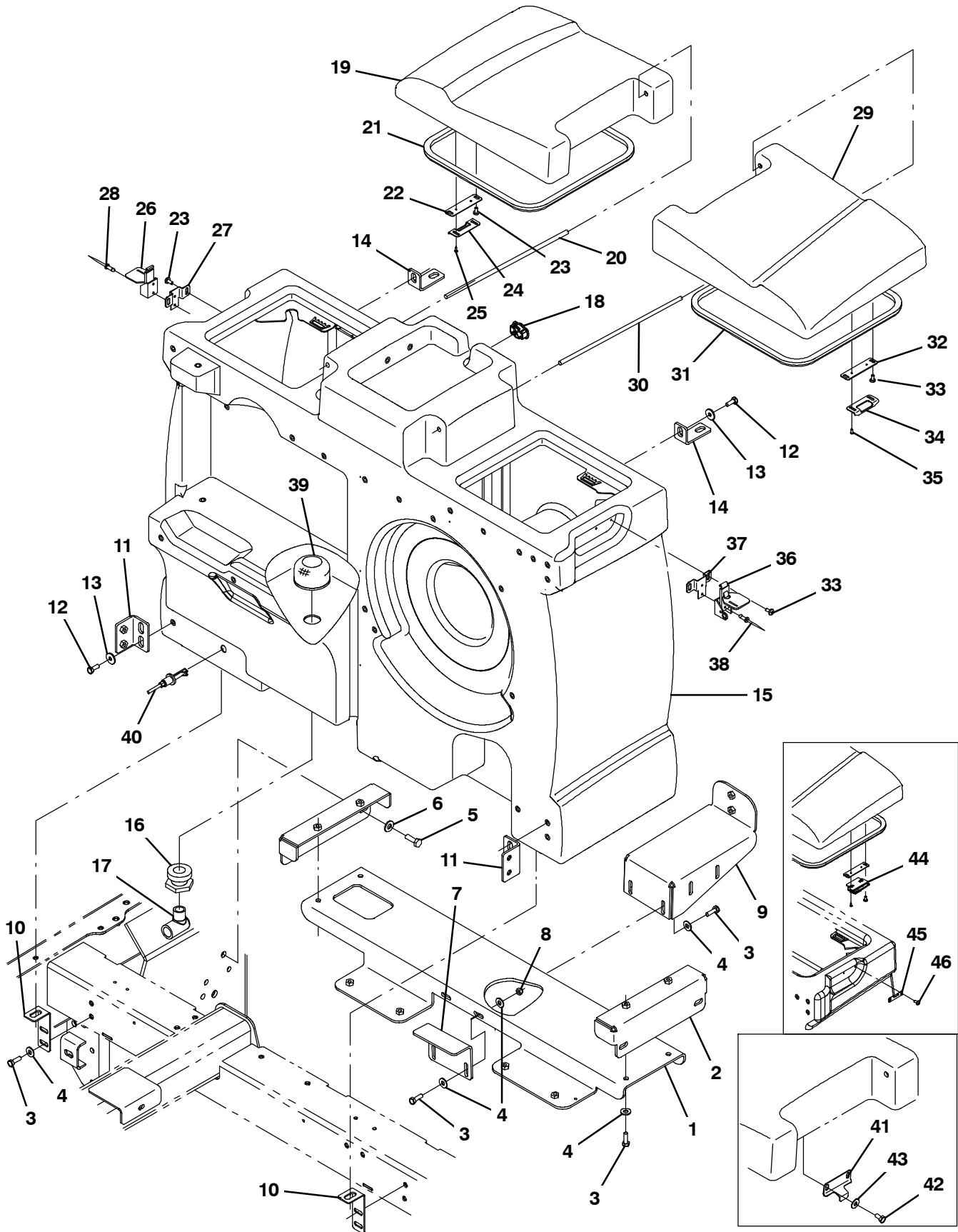


Fig. 48 - Solution Tank Group

Ref.	Part No.	Serial Number	Description	Qty.	
1	1023497	(000000-	) Channel, Sppt, Tank	1	
2	1023493	(000000-	) Bracket, Mtg, Tank	2	
3	09010	(000000-	) Screw, Hex, M8 X 1.25 X 25, Ss	12	
4	32491	(000000-	) Washer, Flat, 0.31, Std	14	
5	12317	(000000-	) Screw, Hex, M10 X 1.5 X 30, Ss	4	
6	32492	(000000-	) Washer, Flat, 0.38, Std	4	
7	1023508	(000000-	) Bracket, Mtg, Tank	1	
8	08713	(000000-	) Nut, Hex, Lock, M8 X 1.25, NI, Ss	2	
9	1023510	(000000-	) Bracket, Mtg, Tank	1	
10	1024131	(000000-	) Angle, Mtg, Stl, .12 4.2 2.0 01.4l	2	
11	1024175	(000000-	) Angle, Mtg, Stl, .18 2.2 1.9 03.0l	2	
12	09740	(000000-	) Screw, Hex, M8 X 1.25 X 20, Ss	6	
13	1017218	(000000-	) Washer, Flat, 0.32b 1.00d .12, Ss	6	
14	1024217	(000000-	) Angle, Mtg, Stl, .19 3.1 1.8 01.4l	2	
15	9004118	(000000-001683	) Tank Kit, Soltn, W/ Bracket, Replmt	1	
15	1027426	(001684-	) Tank, Soltn, W/ Label	1	
15	9002670	(001684-	) Tank, Soltn, W/ Es [T20]	1	
16	377349	(000000-	) Fitting, Plstc, Pf12/Pf12, Bh	1	
17	69785	(000000-	) Fitting, Plstc, E90, Pf12/Pm12	1	
18	390994	(000000-	) Plug, Hole, Soltn Tank, Blk Pyu	1	
▽	9003069	(000000-	) Cover Kit, Soltn Tank, Rh [M20 & T20]	1	
▲	19	1022176	(000000-	) Cover, Tank, Soltn, Rh, Trimmed	1
▲	20	1047098	(000000-	) Bar, Rnd, Plstc, 0.31d 12.5l	1
▲	21	1038805	(000000-	) Seal, Bulb, Str, .50Hi .50W 047.2L, Adh	1
▲	22	1039757	(001688-	) Plate, Mtg, Latch	1
▲	23	382320	(000000-	) Screw, Pan, Phl, 12-16 X 0.50, F/ Plstc	4
▲	24	1048474	(001928-	) Catch, Latch, Tank Cover	1
▲	25	222267	(001928-	) Screw, Pan, Phl, 06-20 X 0.50, Fmg/Ab	2
▲	26	367949	(001928-	) Latch	1
▲	27	1048512	(001928-	) Bracket, Mtg, Latch, Tank Cover	1
▲	28	08875	(001928-	) Rivet, Blind, .125d X 0.54 X .25d, Alm	2
▽	9003071	(000000-	) Cover Kit, Tank, Soltn, Rh, Replmt, Ce (Japan and CE Only)	1	
▲	19	1031233	(000000-	) Cover, Tank, Soltn, Rh, Trimmed, Ce (Japan and CE Only)	1
▲	20	1047098	(000000-	) Bar, Rnd, Plstc, 0.31d 12.5l	1
▲	21	1038805	(000000-	) Seal, Bulb, Str, .50Hi .50W 047.2L, Adh	1
▲	22	1039757	(002426-	) Plate, Mtg, Latch	1
▲	23	382320	(000000-	) Screw, Pan, Phl, 12-16 X 0.50, F/ Plstc	4
▲	24	1048474	(001928-	) Catch, Latch, Tank Cover	1
▲	25	222267	(001928-	) Screw, Pan, Phl, 06-20 X 0.50, Fmg/Ab	2
▲	26	367949	(001928-	) Latch	1
▲	27	1048512	(001928-	) Bracket, Mtg, Latch, Tank Cover	1
▲	28	08875	(001928-	) Rivet, Blind, .125d X 0.54 X .25d, Alm	2

# STANDARD PARTS

Fig. 48 - Solution Tank Group

Ref.	Part No.	Serial Number	Description	Qty.
▽	9003068	(000000-	) Cover Kit, Tank, Soltn, Lh, Replmt	1
▲	29 1022182	(000000-	) Cover, Tank, Soltn, Lh, Trimmed	1
▲	30 1047098	(000000-	) Bar, Rnd, Plstc, 0.31d 12.5l	1
▲	31 1038805	(000000-	) Seal, Bulb, Str, .50Hi .50W 047.2L, Adh	1
▲	32 1039757	(001688-	) Plate, Mtg, Latch	1
▲	33 382320	(000000-	) Screw, Pan, Phl, 12-16 X 0.50, F/ Plstc	4
▲	34 1048474	(001928-	) Catch, Latch, Tank Cover	1
▲	35 222267	(001928-	) Screw, Pan, Phl, 06-20 X 0.50, Fmg/Ab	2
▲	36 367949	(001928-	) Latch	1
▲	37 1048512	(001928-	) Bracket, Mtg, Latch, Tank Cover	1
▲	38 08875	(001928-	) Rivet, Blind, .125d X 0.54 X .25d, Alm	2
▽	9003070	(000000-	) Cover Kit, Tank, Soltn, Lh, Replmt, Ce (Japan and CE Only)	1
▲	29 1031235	(000000-	) Cover, Tank, Soltn, Lh, Trimmed, Ce (Japan and CE Only)	1
▲	30 1047098	(000000-	) Bar, Rnd, Plstc, 0.31d 12.5l	1
▲	31 1038805	(000000-	) Seal, Bulb, Str, .50Hi .50W 047.2L, Adh	1
▲	32 1039757	(001688-	) Plate, Mtg, Latch	1
▲	33 382320	(000000-	) Screw, Pan, Phl, 12-16 X 0.50, F/ Plstc	4
▲	34 1048474	(001928-	) Catch, Latch, Tank Cover	1
▲	35 222267	(001928-	) Screw, Pan, Phl, 06-20 X 0.50, Fmg/Ab	2
▲	36 367949	(001928-	) Latch	1
▲	37 1048512	(001928-	) Bracket, Mtg, Latch, Tank Cover	1
▲	38 08875	(001928-	) Rivet, Blind, .125d X 0.54 X .25d, Alm	2
	39 1027290	(000000-	) Filter, Soltn, 20mesh, Pm12 3.1d 02.6l	1
	40 385685	(000000-	) Sensor, Level, Liq, 14vdc 01a .62-11	1
	41 1020428	(000000-001687)	) Bracket, Latch, Cover	2
	42 09744	(000000-001687)	) Screw, Hex, M6 X 1.00 X 12, Ss	4
	43 01684	(000000-001687)	) Washer, Flat, 0.27b 0.69d .05, Ss	4
	44 1030617	(001688-001927)	) Latch, Cover	2
	45 1029748	(001688-001927)	) Bracket, Keeper, Latch	2
	46 382320	(001688-001927)	) Screw, Pan, Phl, 12-16 X 0.50, F/ Plstc	4





Fig. 49 - Solution Tank Drain Group

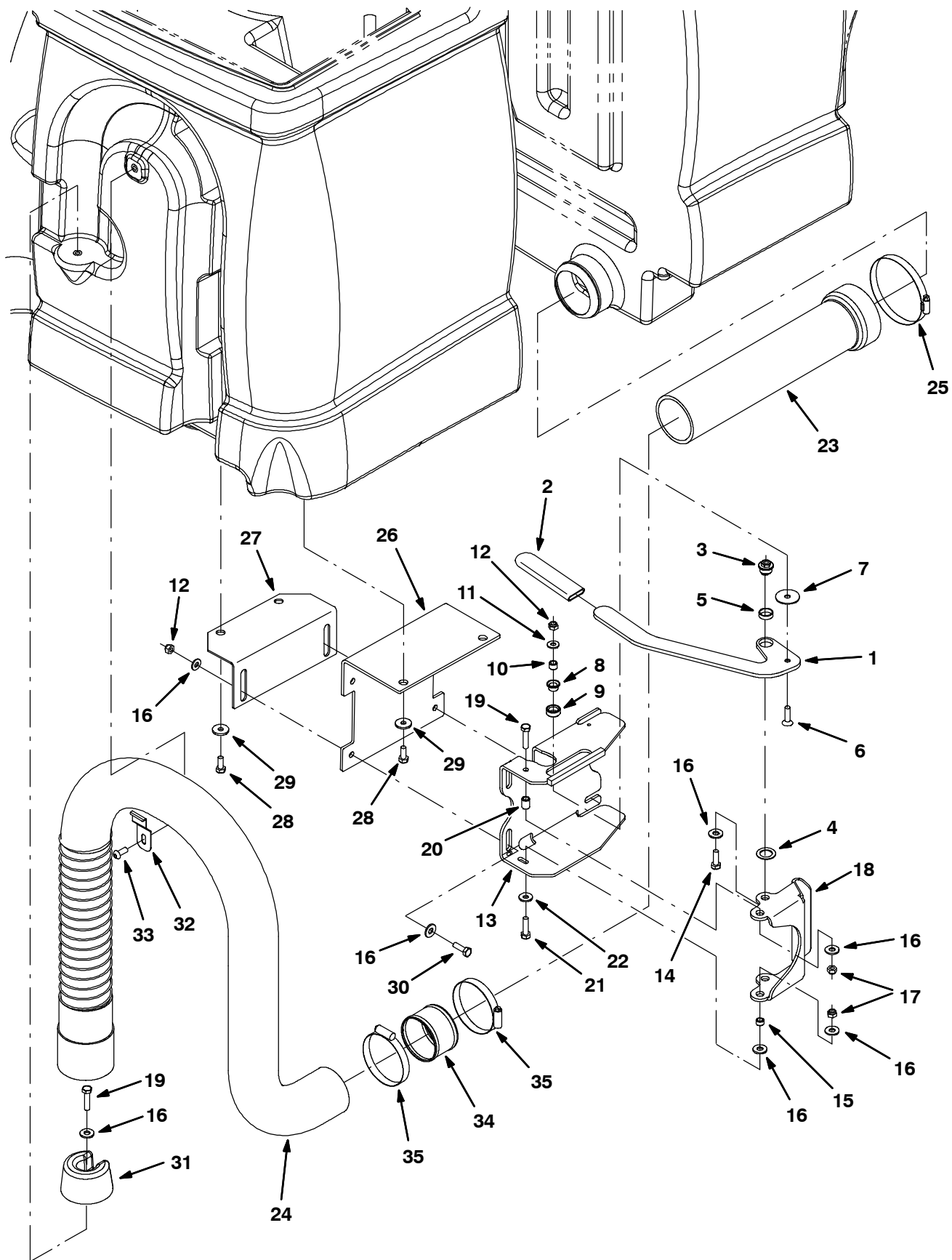


Fig. 49 - Solution Tank Drain Group

Ref.	Part No.	Serial Number	Description	Qty.
1	1025092	(000000-	) Handle, Valve, Pinch, Rh	1
2	1023502	(000000-	) Grip, Handle	1
3	1024599	(000000-	) Bushing, Eccentric, Adj	1
4	1026051	(000000-	) Washer, Flat, 0.79b 1.18d .06, Nyl	1
5	74090	(000000-	) Bushing, Sleeve, 0.75b 0.88d 0.25l	1
6	79506	(000000-	) Screw, Flt, M8 X 1.25 X 30, Ss	1
7	1028701	(000000-	) Washer, Thrust, 0.34b 1.50d .06	1
8	15648	(000000-	) Bushing, Flng, 0.50b 0.59d 0.38l	1
9	1028691	(000000-	) Roller, Brg	1
10	1028690	(000000-	) Tube, 0.50d 0.32b 00.4l, Ss	1
11	39349	(000000-	) Washer, Flat, 0.31, Sae	1
12	08713	(000000-	) Nut, Hex, Lock, M8 X 1.25, NI, Ss	9
13	1042003	(000000-	) Mount Wldt, Valve, Pinch, Rh	1
14	39277	(000000-	) Screw, Hex, M8 X 1.25 X 25, 8.8	1
15	222516	(000000-	) Sleeve, P/M, 0.31b 0.50d 0.3l [430ss]	1
16	32491	(000000-	) Washer, Flat, 0.31, Std	10
17	08713	(000000-	) Nut, Hex, Lock, M8 X 1.25, NI, Ss	3
18	1024535	(000000-	) Arm, Pinch	1
19	06955	(000000-	) Screw, Hex, M8 X 1.25 X 35, 8.8	2
20	80395	(000000-	) Sleeve, P/M, 0.31b 0.50d 0.7l [430ss]	1
21	76570	(000000-	) Screw, Hex, M8 X 1.25 X 30, 8.8	1
22	41186	(000000-	) Washer, Flat, Belleville, .31	1
23	9003793	(000000-	) Tube Kit, Tank, Soltn, Replmt	1
24	1019424	(000000-	) Hose, Drain, 3.00id X 48.0l	1
25	23498	(000000-	) Clamp, Hose, Wormdrive, 3.56-4.50d, .50w	1
26	1025449	(000000-	) Angle, Mtg, Valve	2
27	1025452	(000000-	) Angle, Mtg, Stl, .12 3.7 3.4 09.1l	2
28	09740	(000000-	) Screw, Hex, M8 X 1.25 X 20, Ss	4
29	1017218	(000000-	) Washer, Flat, 0.32b 1.00d .12, Ss	4
30	09010	(000000-	) Screw, Hex, M8 X 1.25 X 25, Ss	4
31	1022137	(000000-	) Plug, Hose, Pyu	1
32	1025480	(000000-	) Bracket, Retaining, Hose	1
33	393135	(000000-	) Screw, Btn, M8 X 1.25 X 20, Blk	1
34	1020744	(000000-	) Tube, Rnd, 3.00d 2.90b 02.0l, Ss	1
35	43555	(000000-	) Clamp, Hose, Wormdrive, 2.50-3.50d, .50w	2

**Fig. 50 - Solution Control Group, Cylindrical Scrub Head**

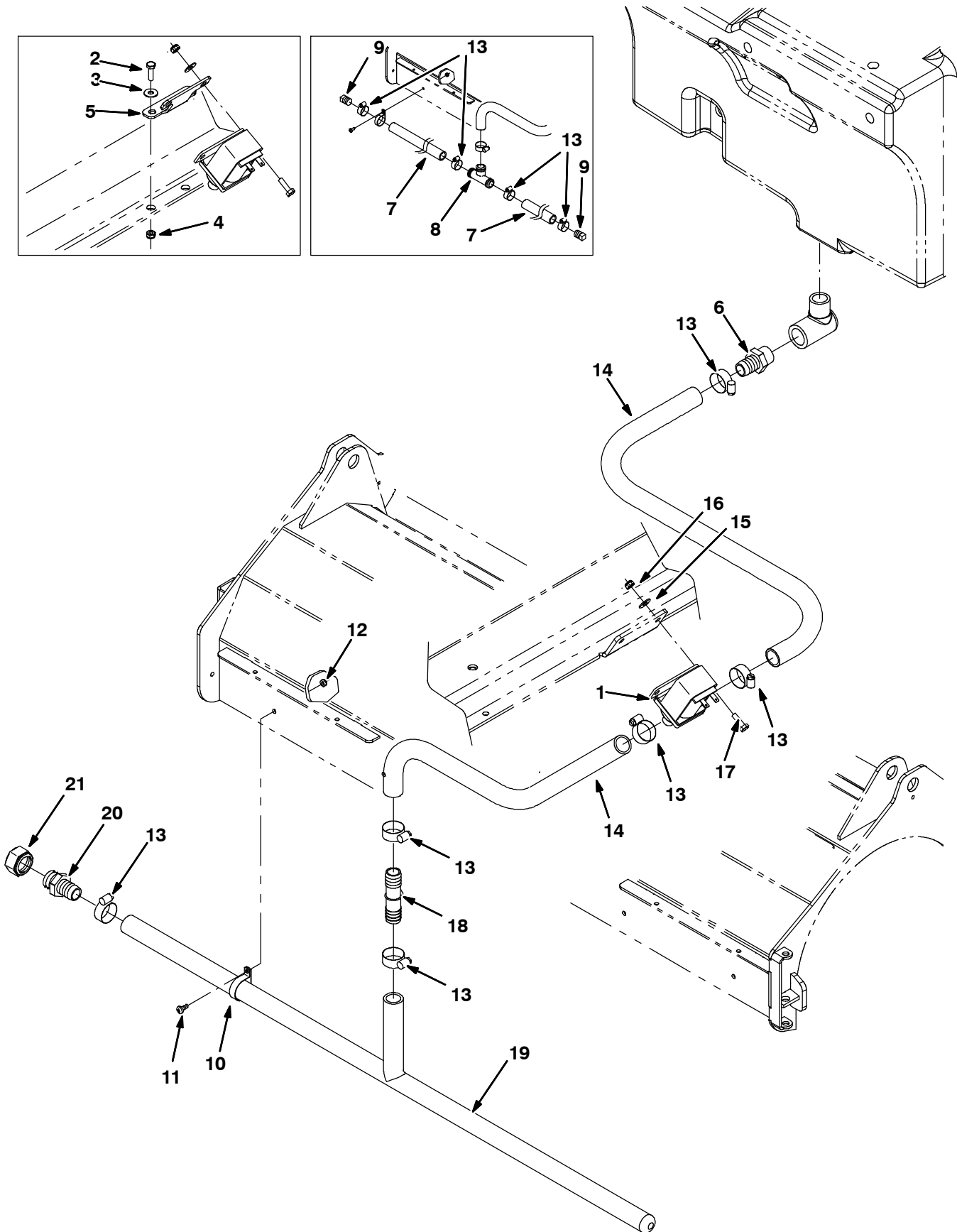


Fig. 50 - Solution Control Group, Cylindrical Scrub Head

Ref.	Part No.	Serial Number	Description	Qty.
1	1022088	(000000-	) Valve Assy, Water, Solenoid , 12vdc	1
2	08716	(000000-001602 )	Screw, Hex, M6 X 1.0 X 20, Ss	2
3	01684	(000000-001602 )	Washer, Flat, 0.25, Ss	2
4	08712	(000000-001602 )	Nut, Hex, Lock, M6 X 1.0, Ss, NI	2
5	1028074	(000000-001602 )	Bracket, Mtg, Valve	1
6	79273-2	(000000-	) Fitting, Plstc, Str, Bm12/Pm12	1
7	1029185	(000000-001581 )	Tube, Distribution, Water	2
8	41315	(000000-001581 )	Fitting, Plstc, Tee, Bm12/Bm12/Bm12	1
9	17521	(000000-001581 )	Fitting, Pipe, Plug, Pm08, Sq Head	2
10	50544	(000000-	) Clamp, Cable, Ss, 1.12d X 0.38w, 1h	6
11	09200	(000000-	) Screw, Pan, M5 X 0.8 X 12, Ss	6
12	09739	(000000-	) Nut, Hex, Lock, M5 X 0.8, NI, Ss	6
13	63810	(000000-	) Clamp, Hose, Wormdrive, 0.56-1.06d, .56w	8
14	1015045	(000000-	) Hose, Afmkt, Pvc, Brd 0.75id 08ft	1
15	01684	(000000-	) Washer, Flat, 0.25, Ss	2
16	08712	(000000-	) Nut, Hex, Lock, M6 X 1.0, Ss, NI	2
17	08716	(000000-	) Screw, Hex, M6 X 1.0 X 20, Ss	2
18	1038074	(001582-	) Fitting, Plstc, Str, Bm12/Bm12	1
19	1036997	(001582-	) Manifold, Bar, Spray, 37.5inch	1
20	79273-2	(001582-	) Fitting, Plstc, Str, Bm12/Pm12	1
21	1039064	(001582-	) Fitting, Plstc, Cap, Pf12 Hex	1

Fig. 51 - Solution Control Group, Disk Scrub Head

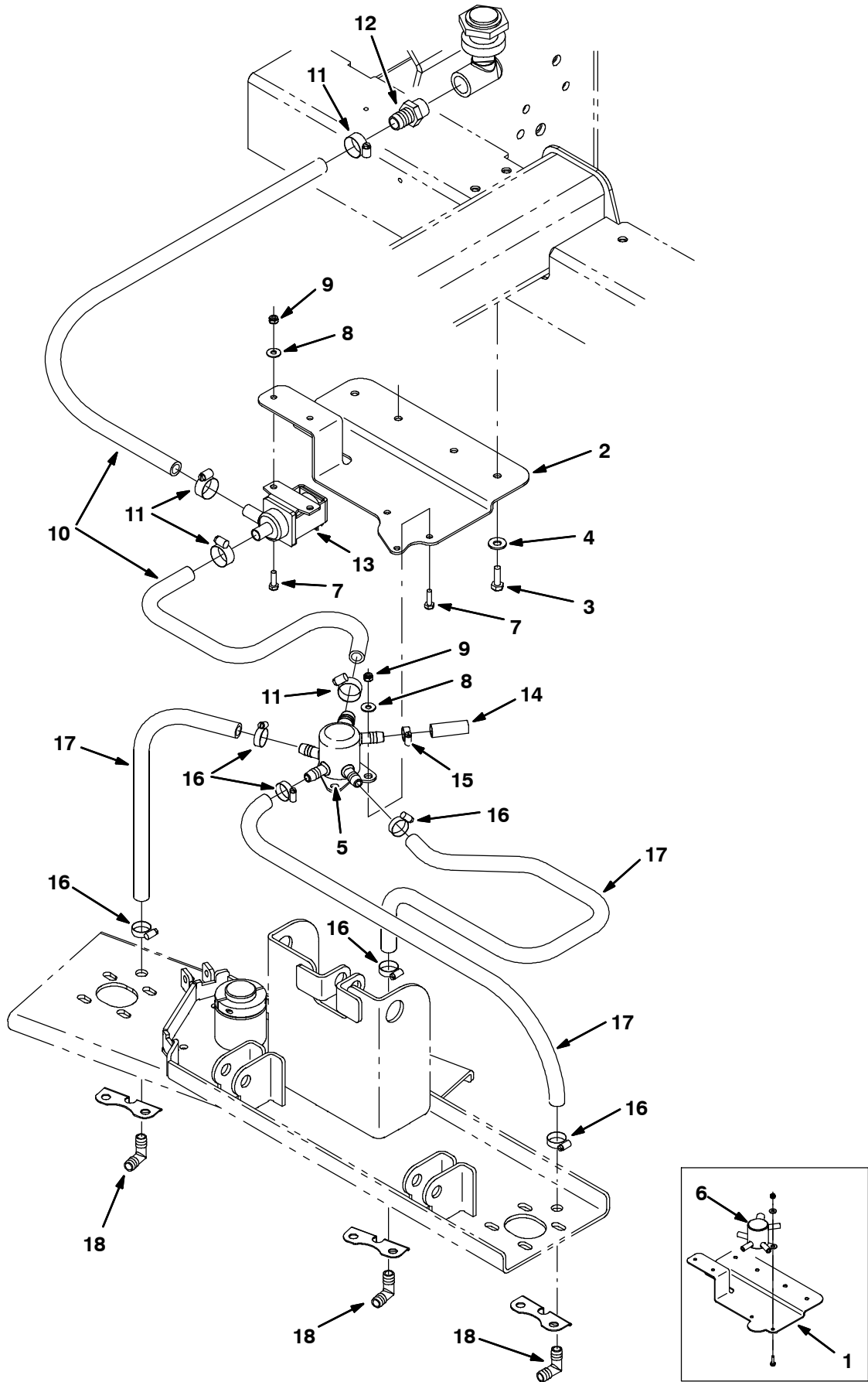


Fig. 51 - Solution Control Group, Disk Scrub Head

Ref.	Part No.	Serial Number	Description	Qty.
1	1028205	(000000-001762 )	Bracket, Valve, Water	1
2	1042046	(001763-	) Bracket, Valve, Water	1
3	09010	(000000-	) Screw, Hex, M8 X 1.25 X 25, Ss	2
4	32491	(000000-	) Washer, Flat, 0.31, Std	2
5	1032701	(001763-	) Manifold Assy, Cntrl, Soltn	1
6	1023491	(000000-001762 )	Manifold Wldt, Cntrl, Soltn	1
7	08716	(000000-	) Screw, Hex, M6 X 1.0 X 20, Ss	5
8	01684	(000000-	) Washer, Flat, 0.25, Ss	5
9	08712	(000000-	) Nut, Hex, Lock, M6 X 1.00, Ss, NI	5
10	1015045	(000000-	) Hose, Afmkt, Pvc, Brd 0.75id 08ft	1
11	63810	(000000-	) Clamp, Hose, Wormdrive, 0.56-1.06d, .56w	4
12	79273-2	(000000-	) Fitting, Plstc, Str, Bm12/Pm12	1
13	1022088	(000000-	) Valve Assy, Water, Solenoid , 12vdc	1
14	20807	(000000-	) Cap, Rbr, 0.50id 1.18l Blk	1
15	43844	(000000-	) Clamp, Hose, Wormdrive, 0.25-0.62d, .31w	1
16	54333	(000000-	) Clamp, Hose, Wormdrive, 0.31-0.88d, .31w	6
17	1006410	(000000-	) Hose, Afmkt, Pvc, Brd 0.75id 03ft	3
18	63987-1	(000000-	) Fitting, Plstc, E90, Bm08/Bm08	3

**Fig. 52 - Recovery Tank Group**

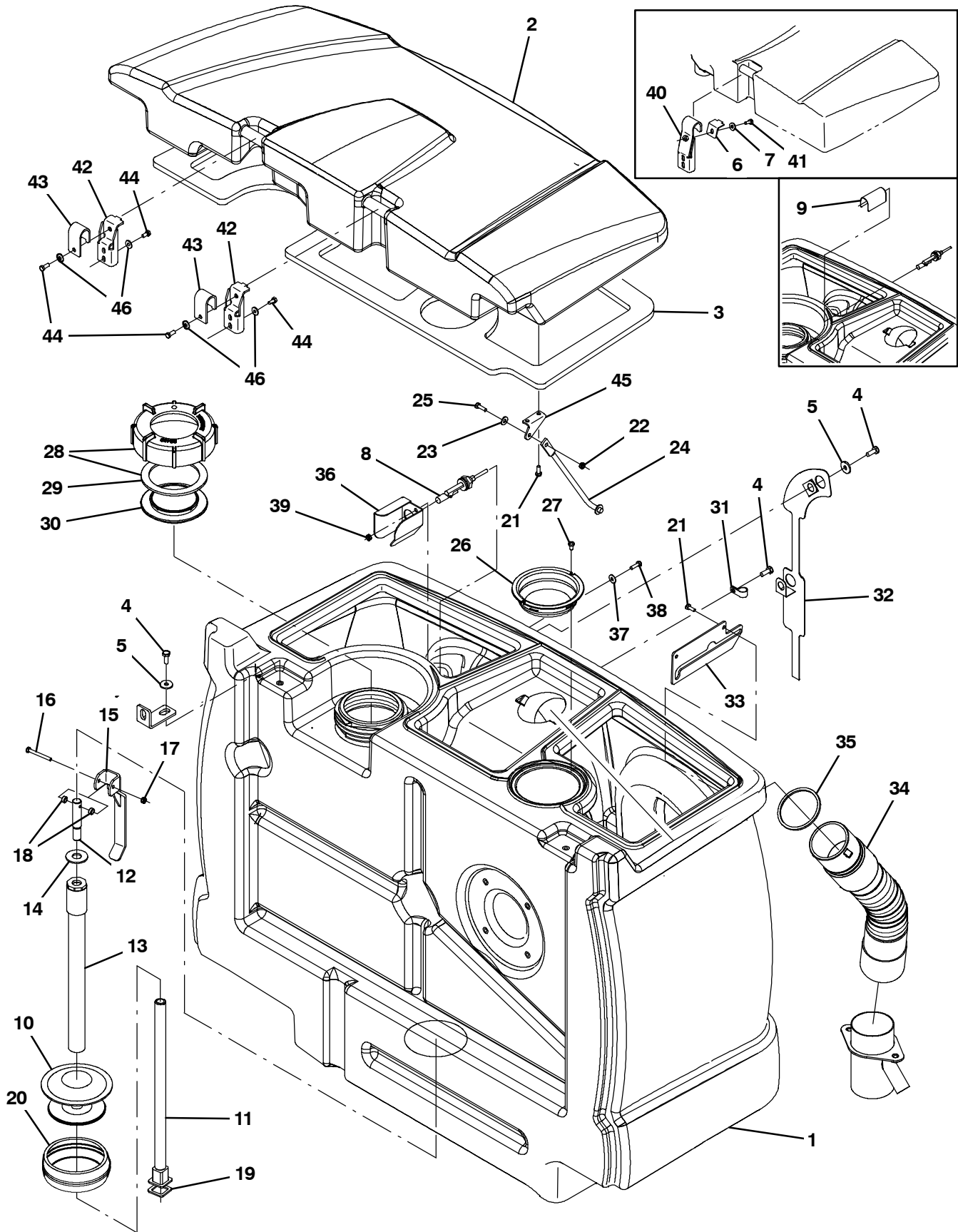




Fig. 52 - Recovery Tank Group

Ref.	Part No.	Serial Number	Description	Qty.
	1	1026316	(000000- ) Tank, Recvy, Trimmed	1
▽	2	9003072	(000000- ) Cover Kit, Tank, Recvy, Replmt [T20]	1
▲	3	1025562	(000000- ) Gasket, Tank, Recvy	1
	4	09740	(000000- ) Screw, Hex, M8 X 1.25 X 20, Ss	5
	5	1017218	(000000- ) Washer, Flat, 0.32b 1.00d .12, Ss	4
	6	1020263	(000000-001684 ) Bracket, Retaining, Cover (Replaced by 9003893)	2
	7	32491	(000000-001684 ) Washer, Flat, 0.31, Std	2
	8	385685	(000000- ) Sensor, Level, Liq, 14vdc 01a .62-11	1
	9	1019285	(000000-001608 ) Bracket, Protector, Float Switch (Replaced by 9003797)	1
▽		9003313	(000000- ) Plug Kit, Drain, Recvy, Ci [M20 & T20]	1
▲	10	1022370	(000000- ) Plug, Drain, Expandable, 4.75-6.00	1
▲	11	1028328	(000000- ) Tube Wldt, Plug, Drain	1
▲	12	1028173	(000000- ) Pin, Lift, Drain	1
▲	13	1028570	(000000- ) Tube Assy, Plug, Drain	1
▲	14	1028522	(000000- ) Washer, Flat, .78b 1.75d .18, Ss	1
▲	15	1028211	(000000- ) Handle Wldt, Drain	1
▲	16	58979	(000000- ) Screw, Hex, M6 X 1.0 X 55, Ss	1
▲	17	08712	(000000- ) Nut, Hex, Lock, M6 X 1.00, Ss, NI	1
▲	18	360801	(000000- ) Sleeve, 0.31b 0.50d 0.3l, Ss	1
▲	19	1035044	(000000- ) Seal, Shaft, Drain Plug	1
▲	20	1039652	(000000- ) Seal, Plug, Drain [Nitrile]	1
	21	1046798	(000000- ) Screw, Hex, .25-10 X 0.75, Fmg/a, Ss	4
	22	08712	(000000- ) Nut, Hex, Lock, M6 X 1.00, Ss, NI	1
	23	01684	(000000- ) Washer, Flat, 0.25, Ss	1
	24	54615	(000000- ) Arm Wldt, Safety, Sppt, Seat, .38d 10.1l	1
	25	08716	(000000- ) Screw, Hex, M6 X 1.0 X 20, Ss	1
	26	1026014	(000000- ) Screen, Vacuum	1
	27	382320	(000000- ) Screw, Pan, #12-16 X 0.50, F/ Plstc	2
▽	28	24358	(000000- ) Cap Assy, Tank, Drain	1
▲	29	1031699	(000000- ) Gasket, Lid	1
	30	86636	(000000- ) Cover, Tank	1
	31	67767	(000000- ) Clamp, Cable, Stl, 0.69d X 0.62w, 1h	1
	32	1030280	(000000- ) Shield Wldt, Switch, Float	1
	33	1025620	(000000- ) Plate, Mtg, Prop Rod	1
	34	1031610	(000000- ) Hose Assy, Sqg	1
	35	1021920	(000000- ) Gasket, 3.23ld 3.63Od .16Th, Ure	1
	36	1039697	(001609- ) Guard Wldt, Switch, Float	1
	37	76426	(001609- ) Washer, Sealing, 0.28b 0.75d Ss, Neo	2
	38	09007	(001609- ) Screw, Hex, M6 X 1.00 X 25, Ss	2
	39	08712	(001609- ) Nut, Hex, Lock, M6 X 1.00, Ss, NI	2
	40	1020065	(000000-001684 ) Bracket, Mtg, Cover (Replaced by 9003893)	2
	41	09740	(000000-001684 ) Screw, Hex, M8 X 1.25 X 20, Ss	2
	42	1039072	(001685- ) Bracket, Sppt, Cover, Tank, Recvy	1
	43	1039049	(001685- ) Bracket, Mtg, Cover, Recvy Tank	1
	44	16735	(001685- ) Screw, Hex, M8 X 1.25 X 16, 8.8	6
	45	1025619	(000000- ) Bracket, Mtg, Prop Rod	1
	46	32491	(001685- ) Washer, Flat, 0.31, Std	6

Fig. 53 - Recovery Tank Drain Group

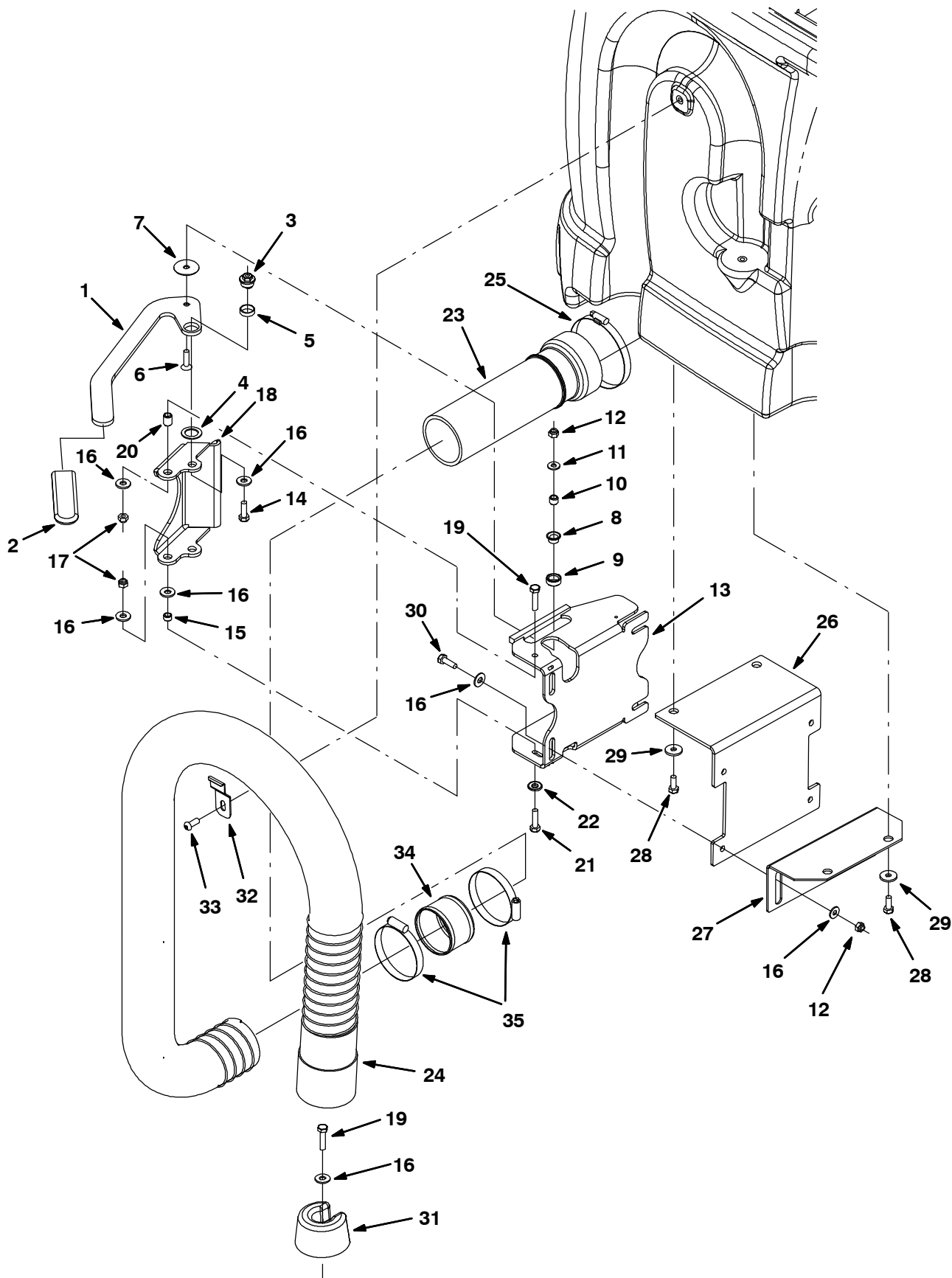


Fig. 53 - Recovery Tank Drain Group

Ref.	Part No.	Serial Number	Description	Qty.
1	1026142	(000000-	) Handle, Valve, Pinch, Lh	1
2	1023502	(000000-	) Grip, Handle	1
3	1024599	(000000-	) Bushing, Eccentric, Adj	1
4	1026051	(000000-	) Washer, Flat, 0.79b 1.18d .06, Nyl	1
5	74090	(000000-	) Bushing, Sleeve, 0.75b 0.88d 0.25l	1
6	79506	(000000-	) Screw, Flt, M8 X 1.25 X 30, Ss	1
7	1028701	(000000-	) Washer, Thrust, 0.34b 1.50d .06	1
8	15648	(000000-	) Bushing, Flng, 0.50b 0.59d 0.38l	1
9	1028691	(000000-	) Roller, Brg	1
10	1028690	(000000-	) Tube, 0.50d 0.32b 00.4l, Ss	1
11	39349	(000000-	) Washer, Flat, 0.31, Sae	1
12	08713	(000000-	) Nut, Hex, Lock, M8 X 1.25, NI, Ss	9
13	1042010	(000000-	) Mount Wldt, Valve, Pinch, Lh	1
14	39277	(000000-	) Screw, Hex, M8 X 1.25 X 25, 8.8	1
15	222516	(000000-	) Sleeve, P/M, 0.31b 0.50d 0.3l [430ss]	1
16	32491	(000000-	) Washer, Flat, 0.31, Std	10
17	08713	(000000-	) Nut, Hex, Lock, M8 X 1.25, NI, Ss	3
18	1024535	(000000-	) Arm, Pinch	1
19	06955	(000000-	) Screw, Hex, M8 X 1.25 X 35, 8.8	2
20	80395	(000000-	) Sleeve, P/M, 0.31b 0.50d 0.7l [430ss]	1
21	76570	(000000-	) Screw, Hex, M8 X 1.25 X 30, 8.8	1
22	41186	(000000-	) Washer, Flat, Belleville, .31	1
23	9003794	(000000-	) Tube Kit, Tank, Recvy, Replmt	1
24	1019424	(000000-	) Hose, Drain, 3.00id X 48.0l	1
25	23498	(000000-	) Clamp, Hose, Wormdrive, 3.56-4.50d, .50w	1
26	1025449	(000000-	) Angle, Mtg, Valve	2
27	1025452	(000000-	) Angle, Mtg, Stl, .12 3.7 3.4 09.1l	2
28	09740	(000000-	) Screw, Hex, M8 X 1.25 X 20, Ss	4
29	1017218	(000000-	) Washer, Flat, 0.32b 1.00d .12, Ss	4
30	09010	(000000-	) Screw, Hex, M8 X 1.25 X 25, Ss	4
31	1022137	(000000-	) Plug, Hose, Pyu	1
32	1025480	(000000-	) Bracket, Retaining, Hose	1
33	393135	(000000-	) Screw, Btn, M8 X 1.25 X 20, Blk	1
34	1020744	(000000-	) Tube, Rnd, 3.00d 2.90b 02.0l, Ss	1
35	43555	(000000-	) Clamp, Hose, Wormdrive, 2.50-3.50d, .50w	2

**Fig. 54 - Vacuum Fan Group, Scrubbing**

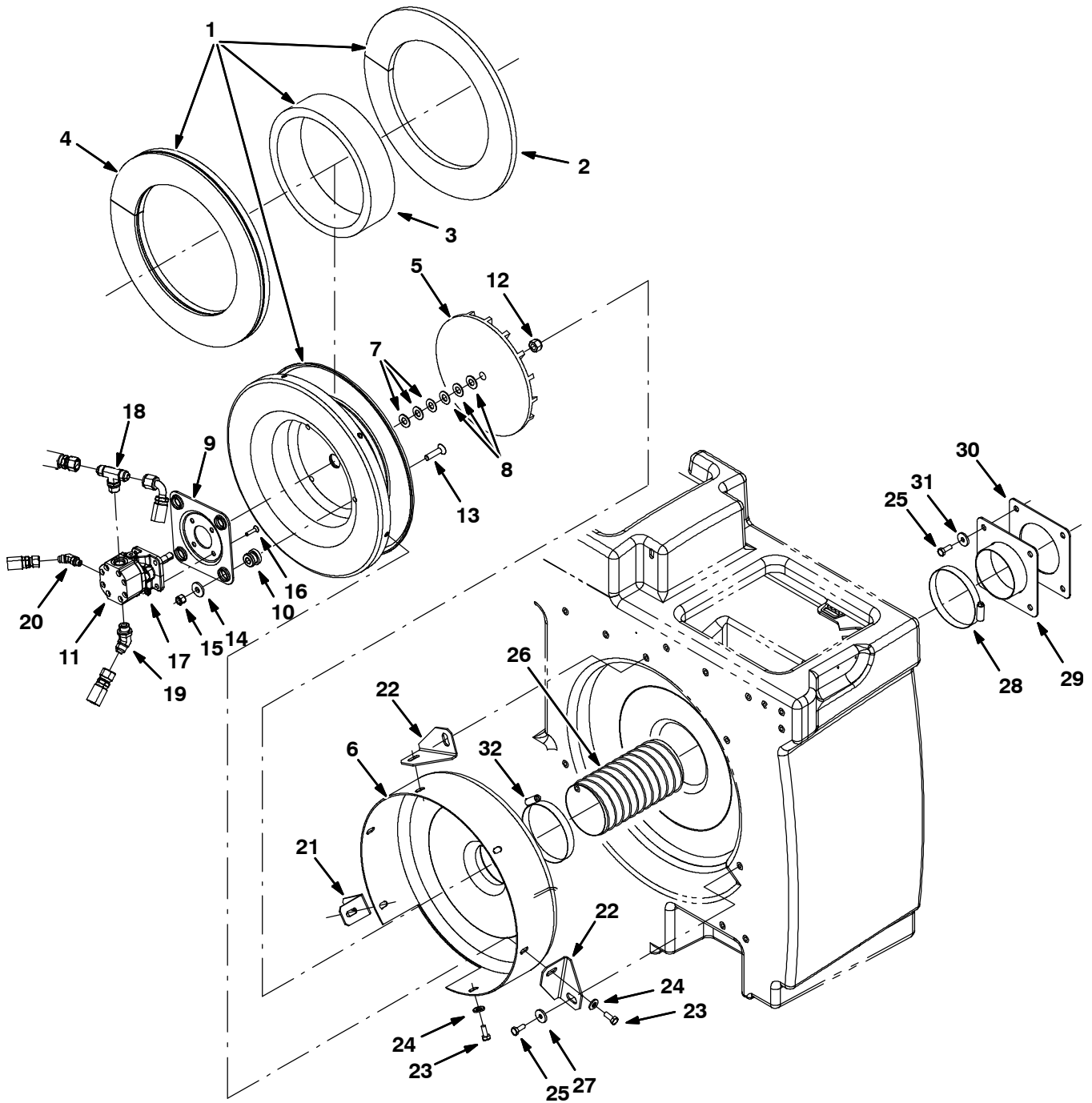
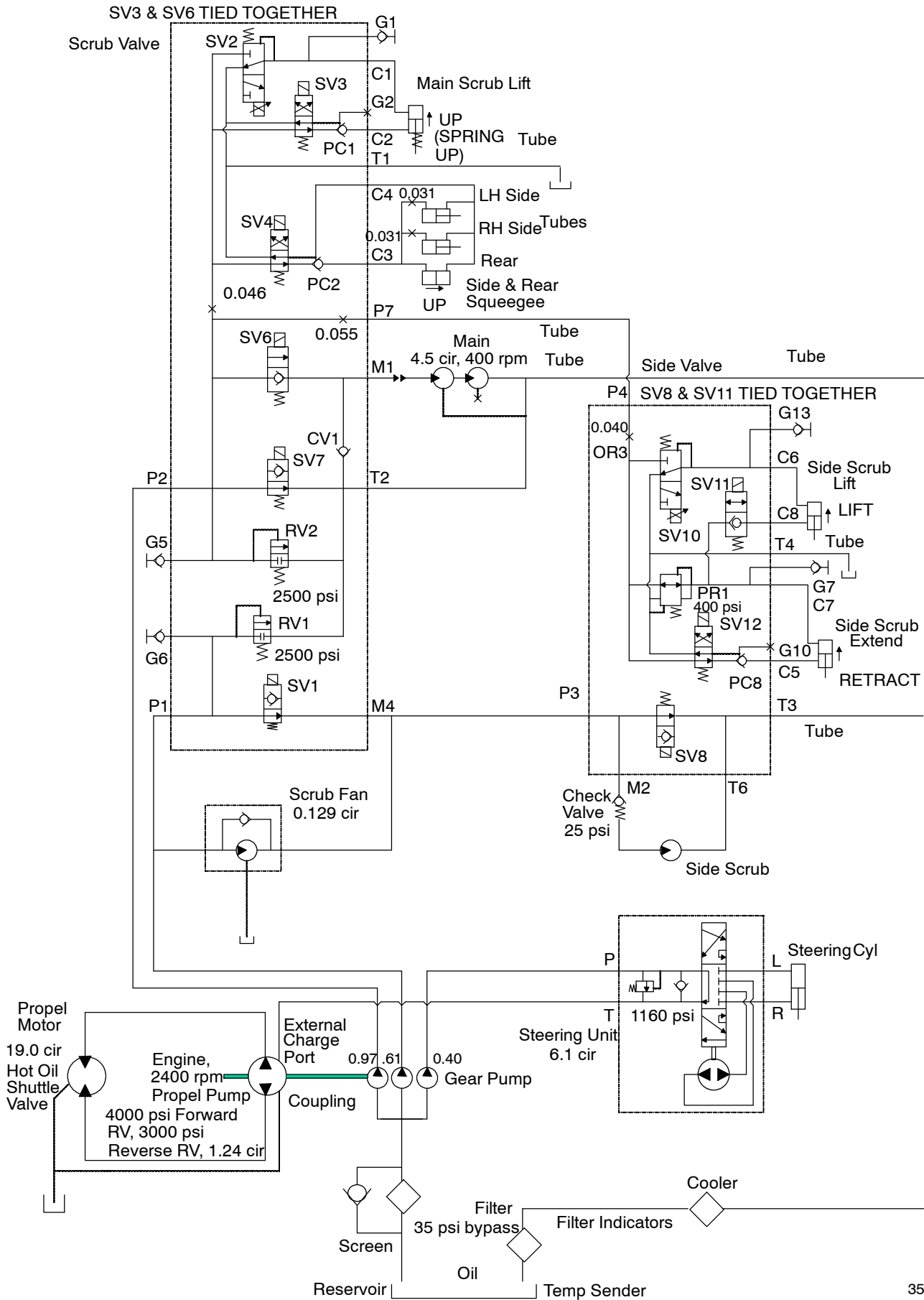


Fig. 54 - Vacuum Fan Group, Scrubbing

Ref.	Part No.	Serial Number	Description	Qty.
▽	9003455	(000000-	) Fan Kit, Scrub, Replmt [M20/T20]	1
▲▽	1 9002684	(000000-	) Housing Assy, Vacfan, Scrbr	1
▲▲	2 1025888	(000000-	) Insulation, Flame-Retardant, 0.50	1
▲▲	3 1025887	(000000-	) Insulation, Flame-Retardant, 0.75-0.88	1
▲▲	4 1025872	(000000-	) Insulation, Flame-Retardant, 0.75-0.88	1
▲	5 03922	(000000-	) Impeller, 9.5d, 18 Blade Mach	1
▲	6 57189	(000000-	) Housing Wldt, Vacfan, Front [528]	1
▲	7 75456-3	(000000-	) Shim, Washer, 0.88d 0.51b .020	3
▲	8 75456-4	(000000-	) Shim, Washer, 0.88d 0.51b .060	3
▲	9 54275A	(000000-	) Bracket, Mtg, Motor	1
▲	10 54274	(000000-	) Isolator, Vib, Bshg, 1.1d 0.6l .4b 0.78h	4
▲▽	11 9003461	(000000-	) Motor Kit, Replmt [M20&T20]	1
▲▲	00954	(000000-	) Key, Sq, 0.12 X 0.12, 1.00l (Included With Motor)	1
▲▲	74233	(000000-	) Kit, Seal, Motor, Hyd, Gear[Barns]	1
▲▲	12 41130	(000000-	) Nut, Low Crown, .50-20	1
▲▲	13 54861	(000000-	) Screw, Flt, .38-16 X 1.50, Al	4
▲▲	14 1014563	(000000-	) Washer, Flat, 0.40b 1.12d .12, Ss	4
▲▲	15 36643	(000000-	) Nut, Hex, Lock, .38-16, NI, Thin	4
▲▲	16 39534	(000000-	) Screw, Flt, .25-20 X 1.00, Al	4
▲▲	17 32981	(000000-	) Nut, Hex, Lock, .25-20, NI	4
▲▲	18 49933	(000000-	) Fitting, Hyd, Tee, Jm08/Jm08/Om08, Br	1
▲▲	19 42226	(000000-	) Fitting, Hyd, E45, Jm08/Om08	1
▲▲	20 392609	(000000-	) Fitting, Hyd, E45, Jm06/Om04	1
▲	21 1020320	(000000-	) Angle, Sppt, Fan	1
▲	22 1024891	(000000-	) Bracket, Mtg, Fan	2
▲	23 16931	(000000-	) Screw, Hex, M8 X 1.25 X 20, 8.8	6
▲	24 41186	(000000-	) Washer, Flat, Belleville, .31	6
	25 09740	(000000-	) Screw, Hex, M8 X 1.25 X 20, Ss	7
	26 1022377	(000000-	) Hose, Air-Intk, Flex 4.00id 18.0l	1
	27 1014563	(000000-	) Washer, Flat, 0.40b 1.12d .12, Ss	3
	28 79380	(000000-	) Clamp, Hose, Wormdrive, 3.75-4.62d, .62w	1
	29 1023754	(000000-	) Plate Wldt, Hose, Vacuum	1
	30 1024853	(000000-	) Gasket, Plt, Hose, Vacuum	1
	31 1017218	(000000-	) Washer, Flat, 0.32b 1.00d .12, Ss	4
	32 23498	(000000-	) Clamp, Hose, Wormdrive, 3.56-4.50D, .50W	1

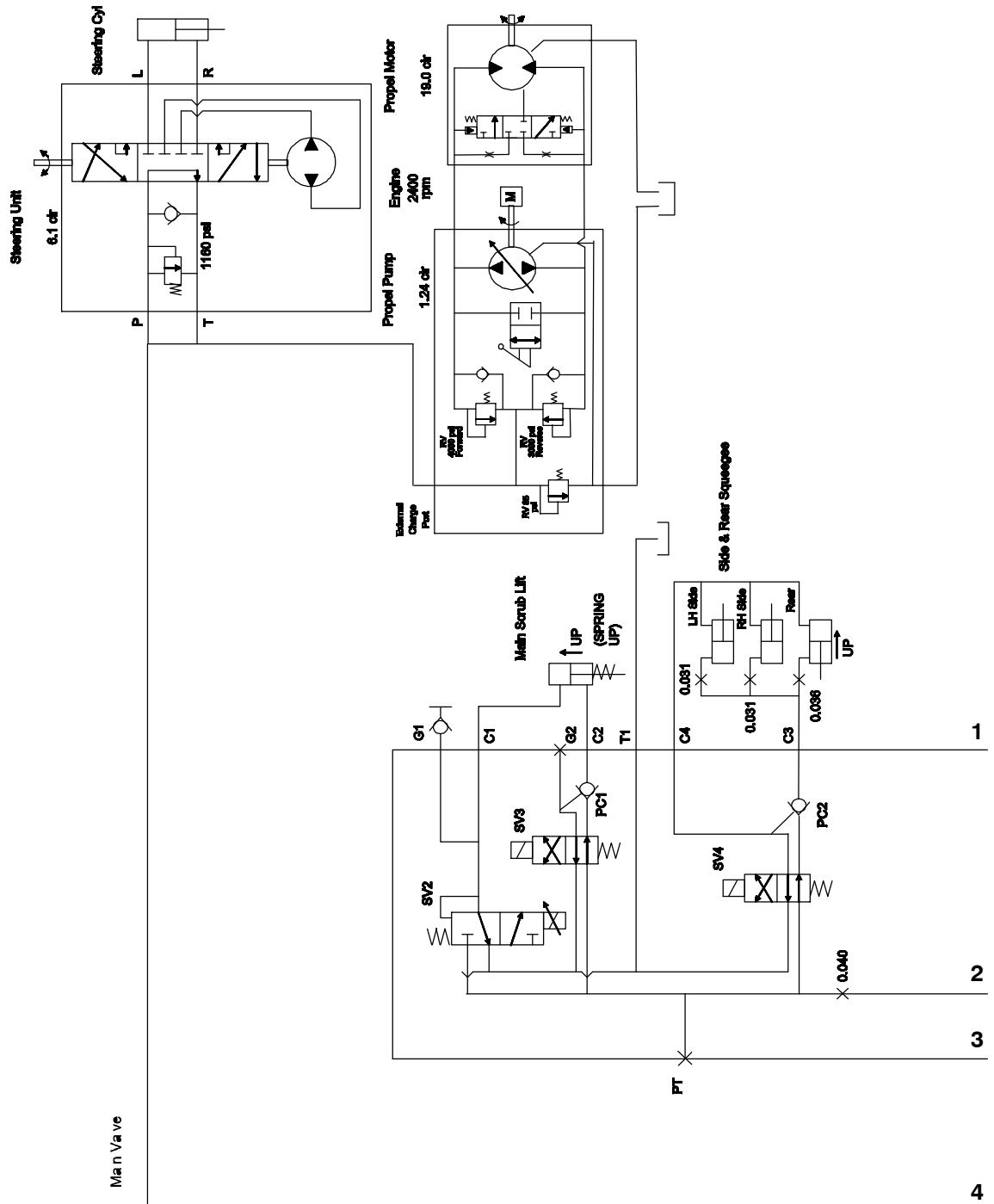
**Fig. 55 - Hydraulic Schematic (000000-001503)**



354520



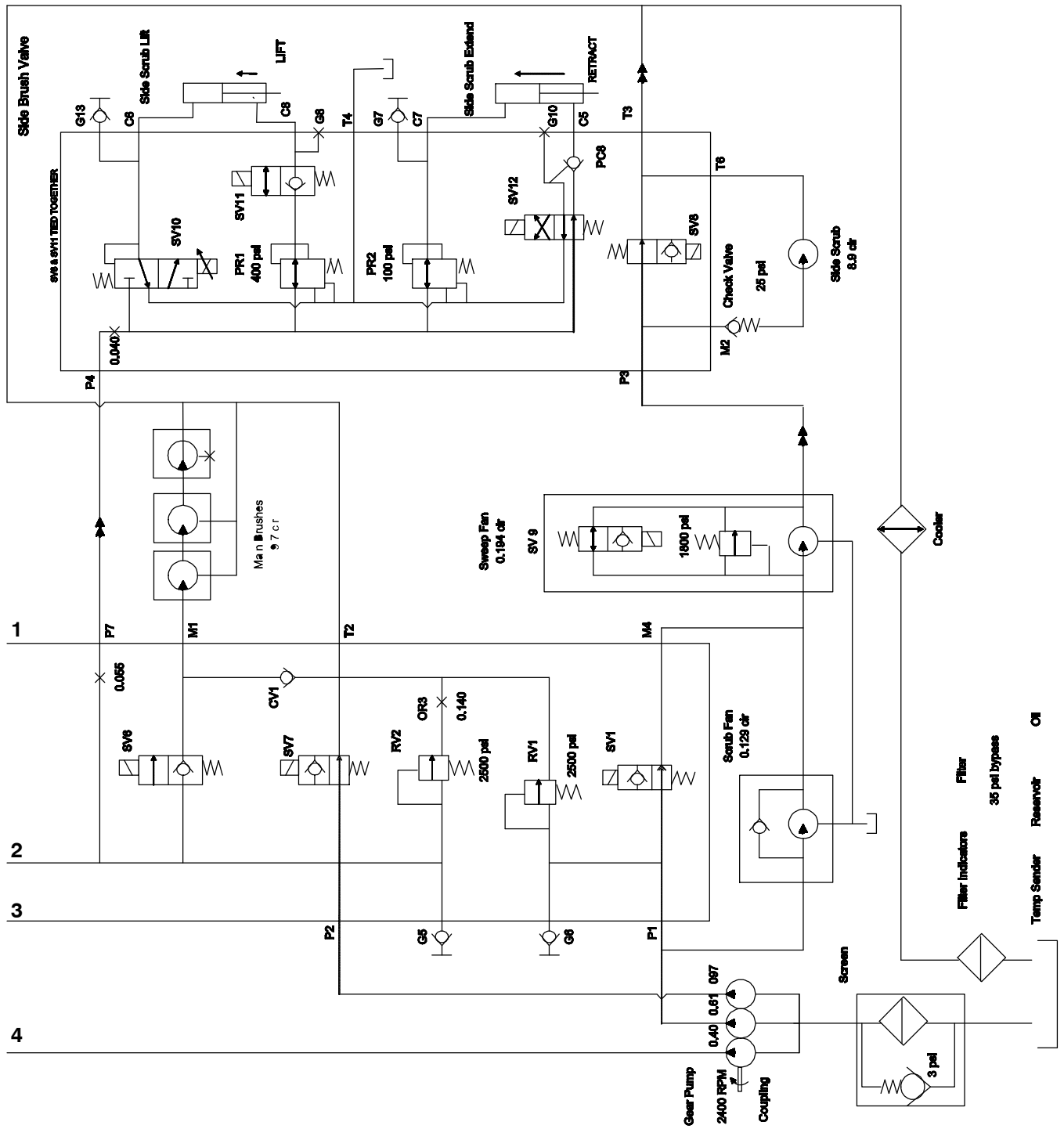
Fig. 56 - Hydraulic Schematic (001504- )



354520



Fig. 56 - Hydraulic Schematic (001504- )



354520

**Fig. 57 - Hydraulic Hose Group, Steering and Propel**

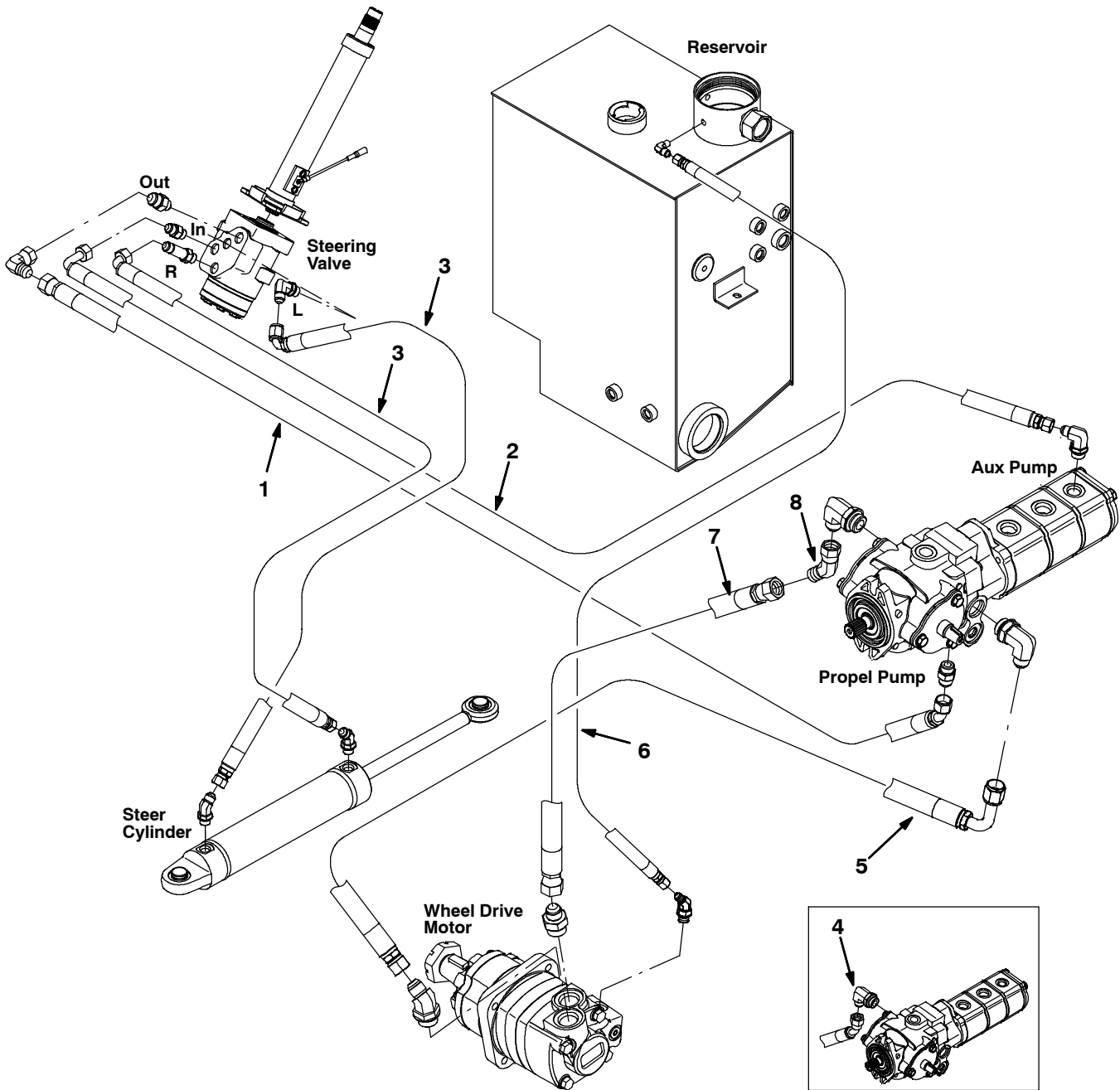


Fig. 57 - Hydraulic Hose Group, Steering and Propel

Ref.	Part No.	Serial Number	Description	Qty.
1	1023609	(000000-	) Hose, Hyd, Tc08, Jf08e45/Jf08str, 96.0	1
2	1023608	(000000-	) Hose, Hyd, Tc06, Jf06e90/Jf06str, 104.0	1
3	396221	(000000-	) Hose, Hyd, Tc06, Jf06e90/Jf06str, 040.0	2
4	1023489	(000000-001574	) Hose, Hyd, Spcl, Jf10e45/Jf10str, 58.0 (Replaced by 1039148)	1
5	1023488	(000000-	) Hose, Hyd, Spcl, Jf10e90/Jf10str, 63.0	1
6	1030404	(000000-	) Hose, Hyd,Med04, Jf04str/Jf04str, 066.0	1
7	1038569	(001575-	) Hose, Hyd, Spcl, Jf10str/Jf10str, 56.5	1
8	54017	(001575-	) Fitting, Hyd, E45, Jf10/Jm10	1

Fig. 58 - Hydraulic Hose Group, Pump and Vacuum Fan

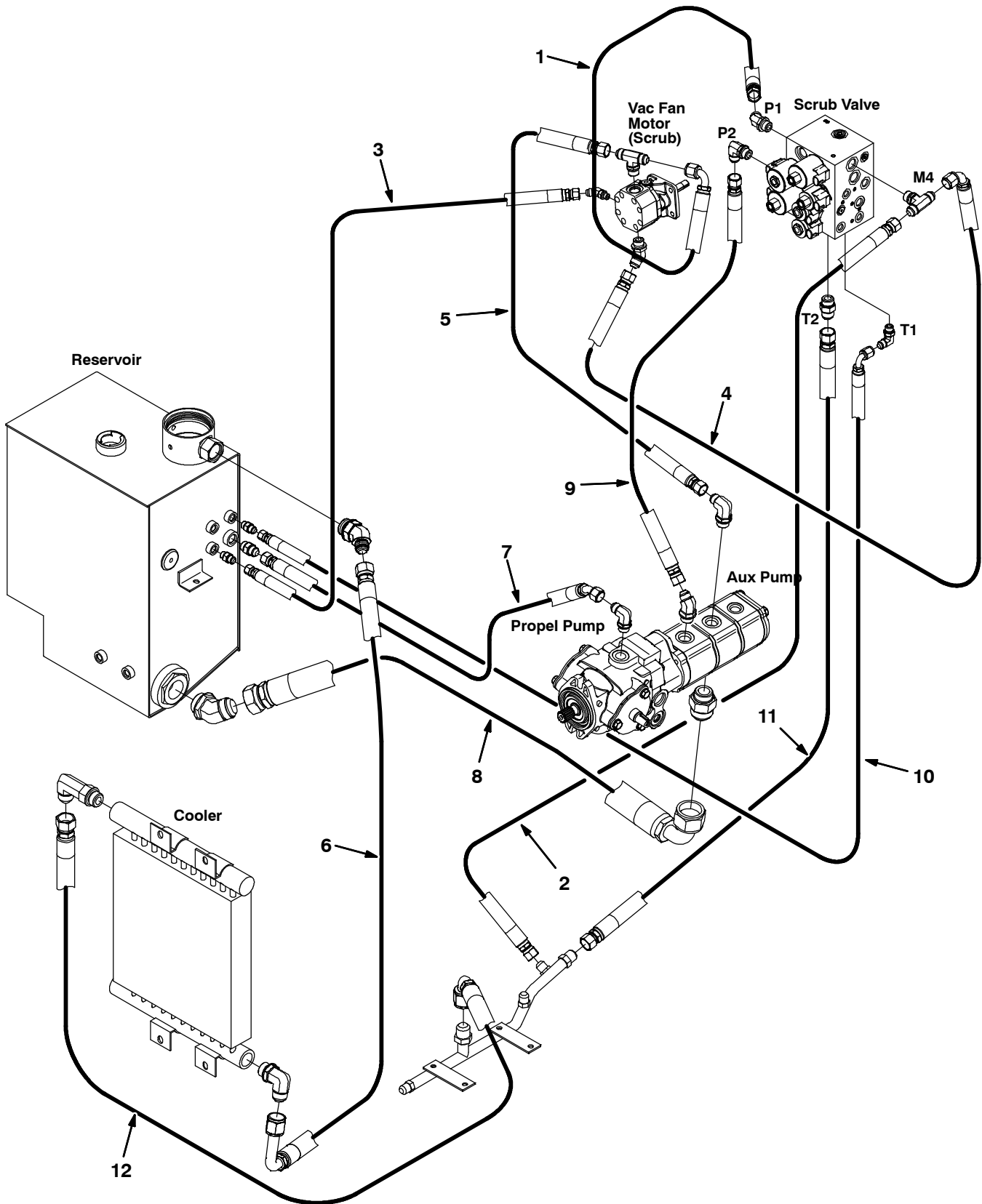


Fig. 58 - Hydraulic Hose Group, Pump and Vacuum Fans

Ref.	Part No.	Serial Number	Description	Qty.
1	71741	(000000-	) Hose, Hyd, Tc08, Jf08e90/Jf08str, 046.0	1
2	65197	(000000-	) Hose, Hyd, Med08, Jf08e90/Jf08str, 062.0	1
3	396273	(000000-	) Hose, Hyd, Med06, Jf06str/Jf06str, 033.0	1
4	396255	(000000-	) Hose, Hyd, Tc08, Jf08str/Jf08e90, 031.0	1
5	1026645	(000000-	) Hose, Hyd, Tc08, Jf08e45/Jf08str, 26.0	1
6	1023487	(000000-	) Hose, Hyd, Med12, Jf12e90/Jf12str, 50.0	1
7	1023607	(000000-	) Hose, Hyd, Med08, Jf08str /Jf08e45, 21.0	1
8	1036710	(000000-	) Hose, Hyd, Suc20, Jf20Str/Jf20E90, 030.0	1
9	1023606	(000000-	) Hose, Hyd, Tc08, Jf08str/Jf08str, 21.0	1
10	71735	(000000-	) Hose, Hyd, Med06, Jf06e90/Jf06str, 042.0	1
11	1025547	(000000-	) Hose, Hyd, Med10, Jf10str/Jf10str, 41.0	1
12	396438	(000000-	) Hose, Hyd, Tc12, Jf12e90/Jf12str, 044.0	1

**Fig. 59 - Hydraulic Hose Group, Cylindrical Brush**

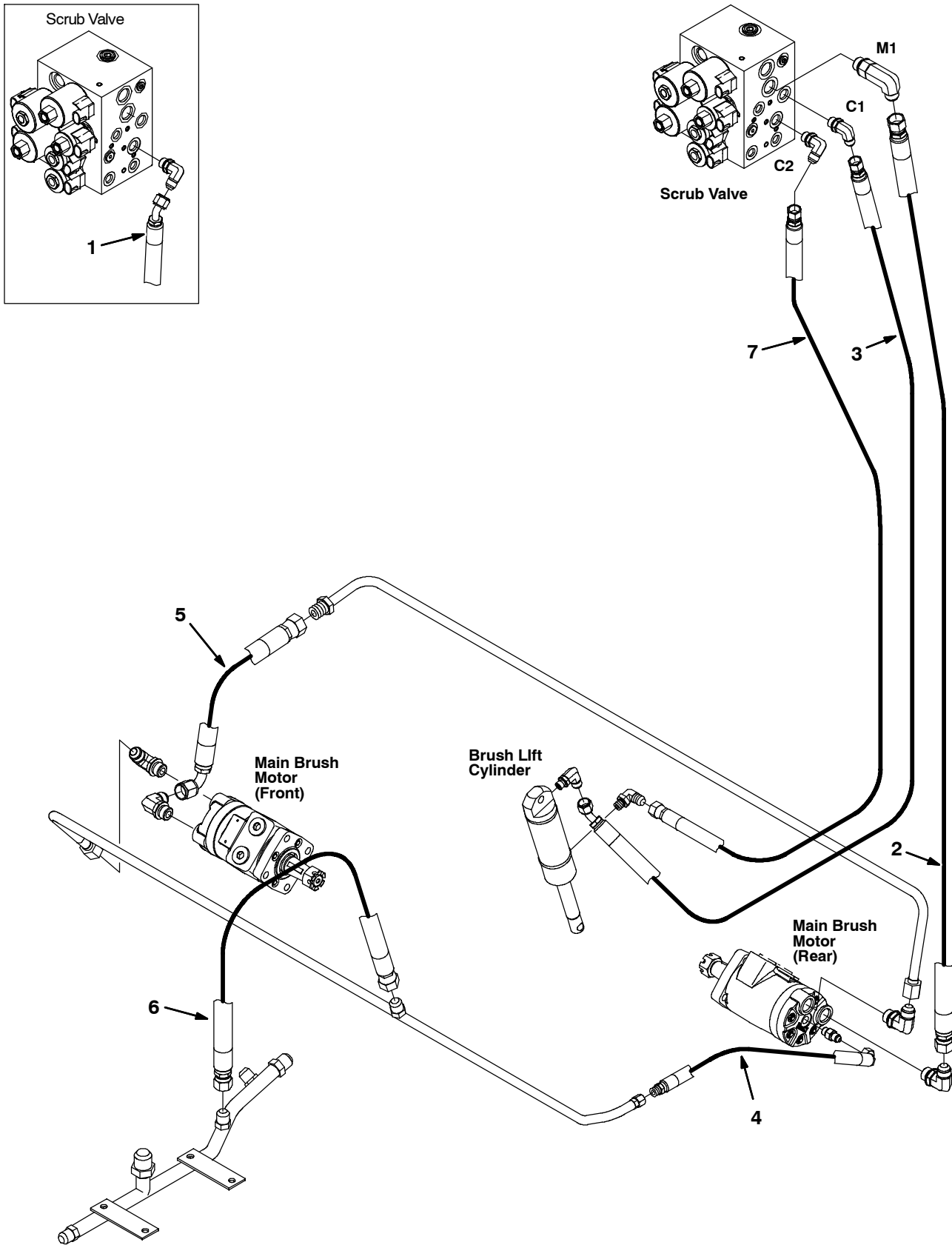


Fig. 59 - Hydraulic Hose Group, Cylindrical Brush

Ref.	Part No.	Serial Number	Description	Qty.
1	1025548	(000000-001037 )	Hose, Hyd, Tc06, Jf06str /Jf06e45, 54.0	1
2	1024764	(000000-	) Hose, Hyd, Tc08, Jf08str/Jf08str, 48.0	1
3	1023769	(000000-	) Hose, Hyd, Tc 06, Jf06str /Jf06e45, 56.0	1
4	57946	(000000-	) Hose, Hyd, Med04, Jf04e90/Jf04str, 016.0	1
5	1025544	(000000-	) Hose, Hyd, Tc08, Jf08e90/Jf08str, 13.0	1
6	51754	(000000-	) Hose, Hyd, Med08, Jf08str/Jf08str, 022.0	1
7	1036939	(001038-	) Hose, Hyd, Tc06, Jf06Str/Jf06Str, 054.0	1

**Fig. 60 - Hydraulic Hose Group, Disk Brush**

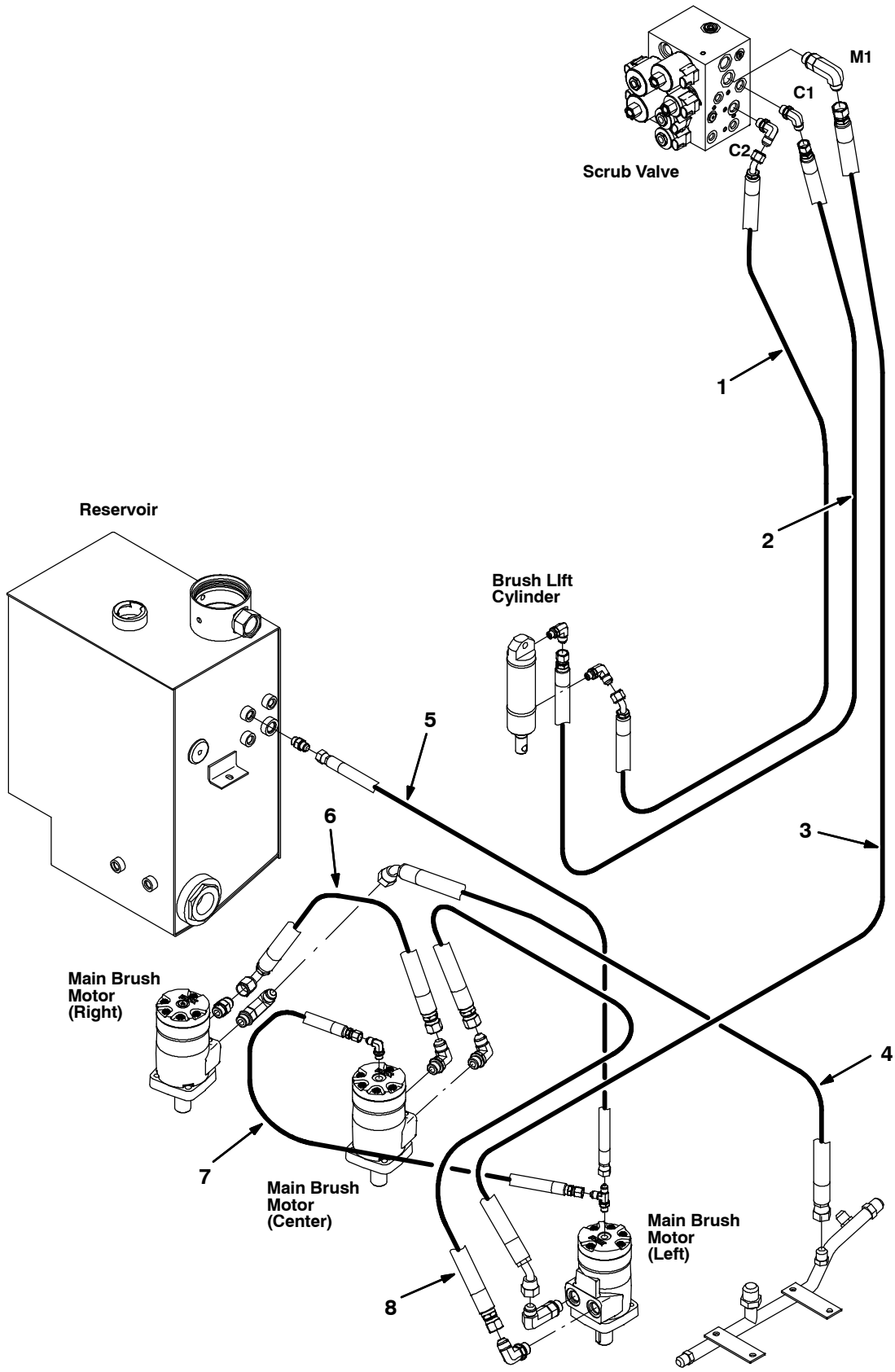




Fig. 60 - Hydraulic Hose Group, Disk Brush

Ref.	Part No.	Serial Number	Description	Qty.
1	1025548	(000000-	) Hose, Hyd, Tc06, Jf06str /Jf06e45, 54.0	1
2	1023769	(000000-	) Hose, Hyd, Tc 06, Jf06str /Jf06e45, 56.0	1
3	381854	(000000-	) Hose, Hyd, Tc08, Jf08e45/Jf08str, 052.0	1
4	16462	(000000-	) Hose, Hyd, Med08, Jf08e45/Jf08str, 046.0	1
5	381866	(000000-	) Hose, Hyd, Tc04, Jf04str/Jf04str, 036.0	1
6	396278	(000000-	) Hose, Hyd, Tc08, Jf08e90/Jf08str, 020.0	1
7	381866	(000000-	) Hose, Hyd, Tc04, Jf04str/Jf04str, 036.0	1
8	365009	(000000-	) Hose, Hyd, Tc08, Jf08str/Jf08str, 040.0	1

Fig. 61 - Hydraulic Hose Group, Squeegee Lift

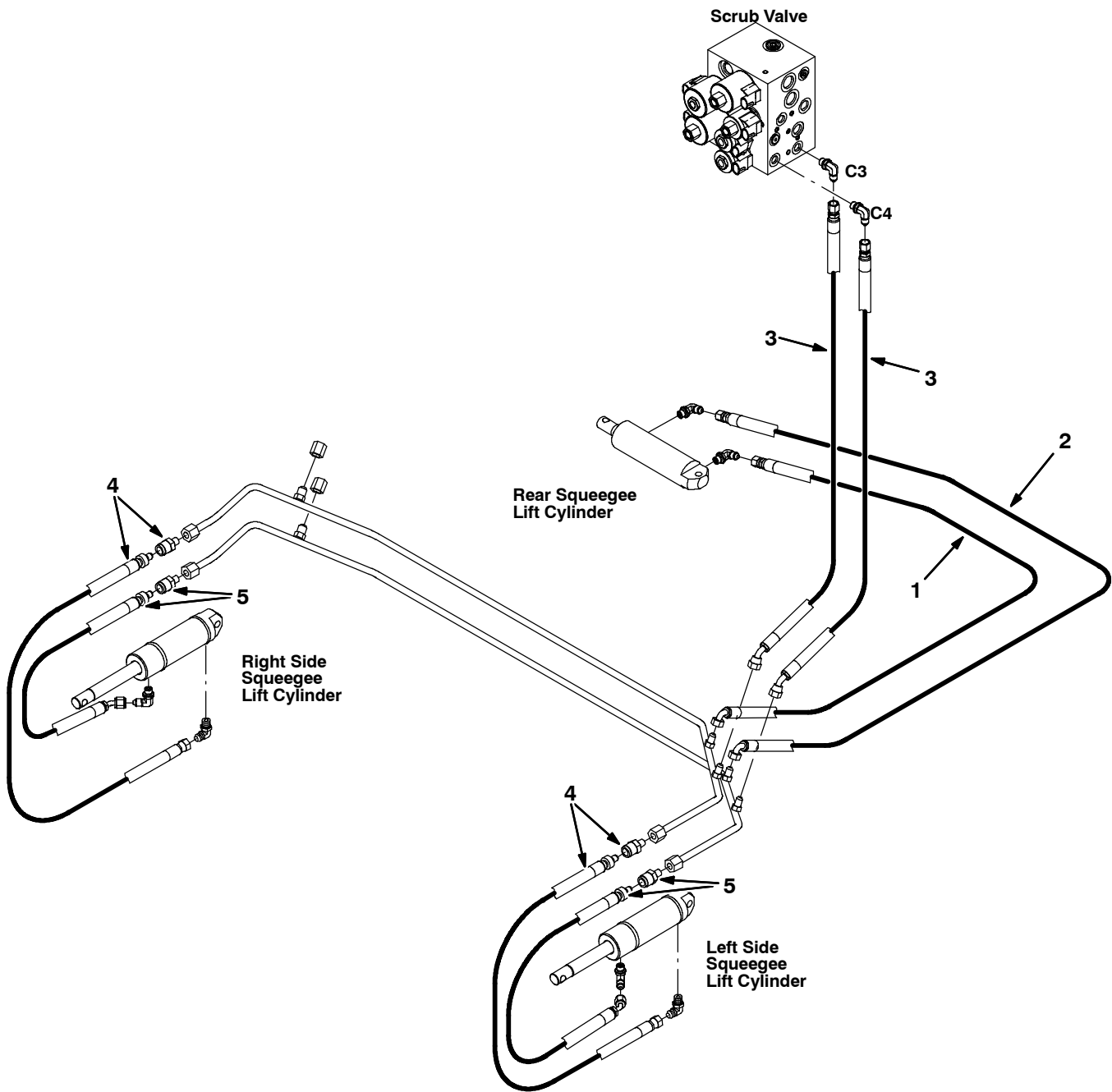


Fig. 61 - Hydraulic Hose Group, Squeegee Lift

Ref.	Part No.	Serial Number	Description	Qty.
1	1029061	(000000-	) Hose, Hyd, Tc04, Jf04e90/Jf04str, 42.0l	1
2	1029062	(000000-	) Hose, Hyd, Tc04, Jf04e90/Jf04str, 46.0l	1
3	1030709	(000000-	) Hose, Hyd, Tc 04, Jf04str /Jf04e45 , 35.0	2
4	1045759	(001755-	) Hose, Hyd, Tc04, Jf04Str/Qm06, 028.0	2
4	1037042	(000000-001754	) Hose, Hyd, Tc04, Jf04E45/Qm06, 028.0	2
5	1036899	(000000-	) Hose, Hyd, Tc04, Jf04E45/Qm06, 024.0	2

Fig. 62 - Hydraulic Pumps Group

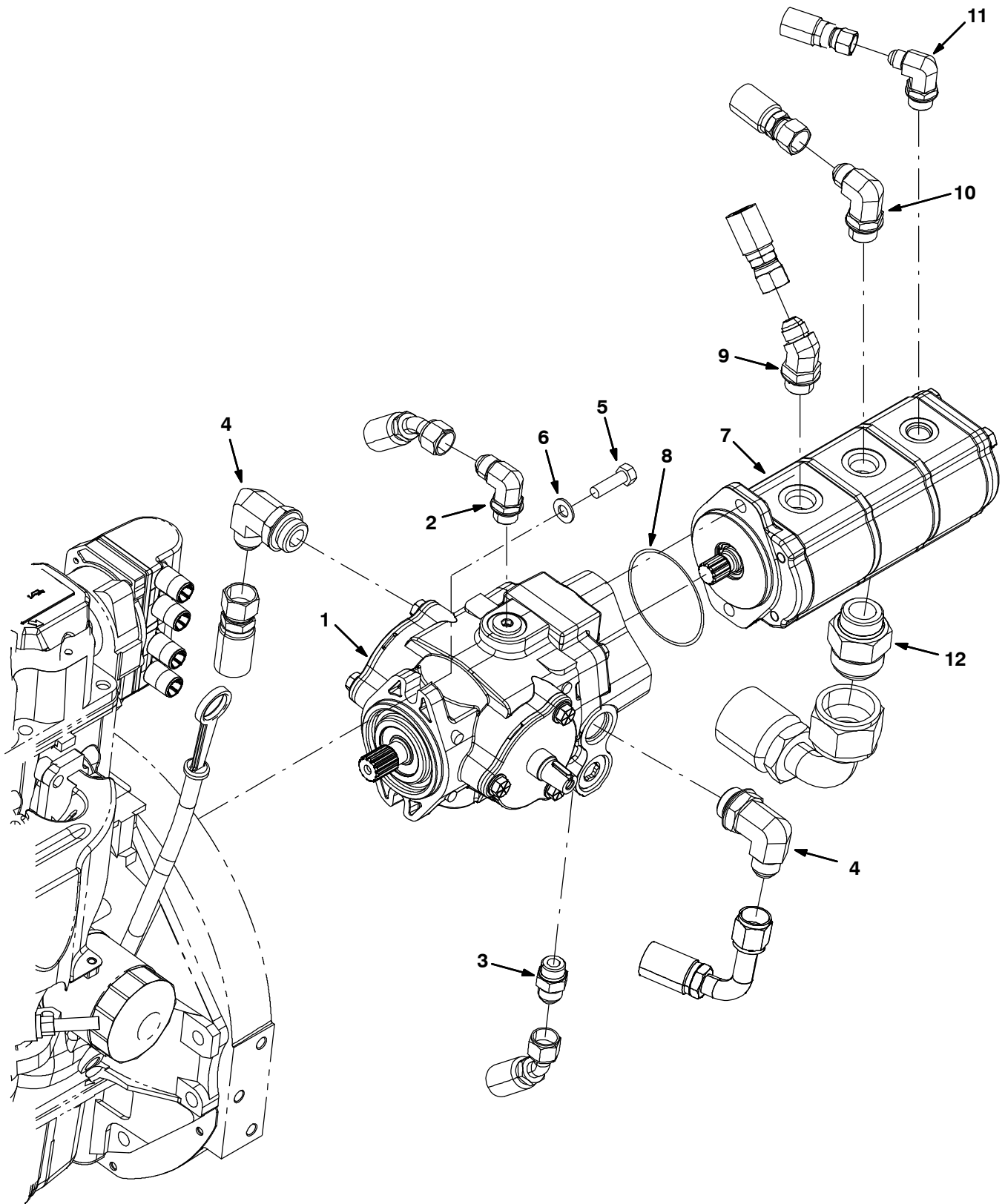


Fig. 62 - Hydraulic Pumps Group

Ref.	Part No.	Serial Number	Description	Qty.
1	1024251	(000000-	) Pump, Hyd, Piston, Var, 1.24 4000, Cw (See Breakdown)	1
2	44868	(000000-	) Fitting, Hyd, E90, Jm08/Om08	1
3	44869	(000000-	) Fitting, Hyd, Str, Jm08/Om08	1
4	53076	(000000-	) Fitting, Hyd, E90, Jm10/Om12	2
5	21198	(000000-	) Screw, Hex, .38-16 X 1.25, 5	22
6	32485	(000000-	) Washer, Flat, 0.38 Sae	2
7	1022666	(000000-	) Pump, Hyd, Gear, Ext, 3, 00.97 2500, Cw	1
8	65145-1	(000000-	) Seal, Org, .069 X 3.06id	11
9	47513	(000000-	) Fitting, Hyd, E45, Jm08/Om10	1
10	56821	(000000-	) Fitting, Hyd, E90, Jm08/Om10	1
11	47512	(000000-	) Fitting, Hyd, E90, Jm06/Om08	1
12	67811	(000000-	) Fitting, Hyd, Str, Jm20/Om16	1

Fig. 63 - Hydraulic Cooler and Tubes Group

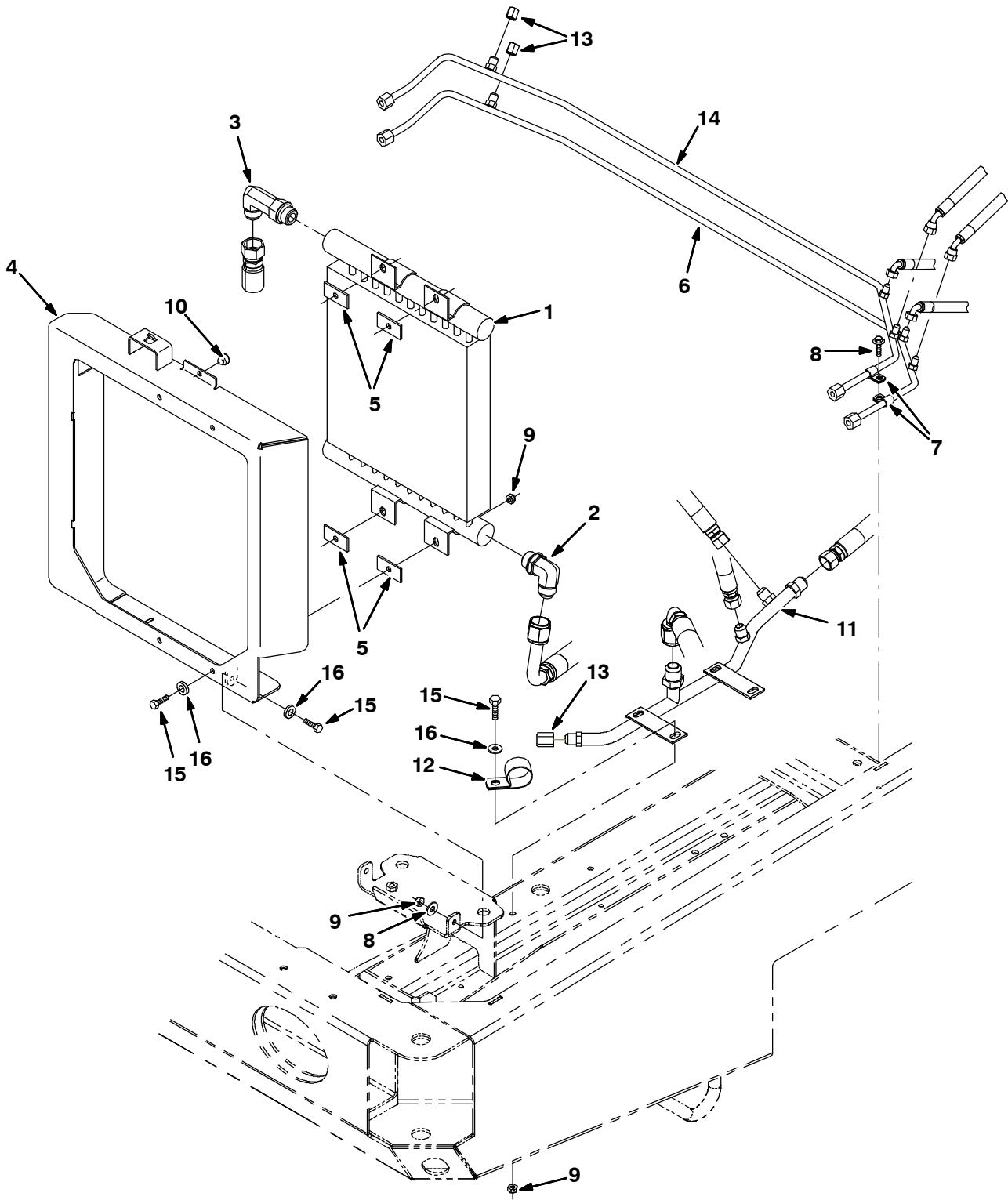


Fig. 63 - Hydraulic Cooler and Tubes Group

Ref.	Part No.	Serial Number	Description	Qty.
1	13698	(000000-	) Cooler, Hyd, 25gpm 325btu Of12 13x12x2	1
2	46481	(000000-	) Fitting, Hyd, E90, Jm12/Om12	1
3	62471	(000000-	) Fitting, Hyd, E90, Jm12/Om12, L	1
4	1026319	(000000-	) Bracket Wldt, Cooler, Hyd Fluid	1
5	1040318	(000000-	) Pad, Tank, Hyd [W/Psa]	4
6	1028822	(000000-	) Tube, Hyd, Sqge	1
7	40678	(000000-	) Clamp, Cable, Stl, 0.44d X 0.62w, 1h	2
8	74455	(000000-	) Screw, Hex, M6 X 1.0 X 12, Fmg	1
9	07791	(000000-	) Nut, Hex, Fing, M8 X 1.25	8
10	51787	(000000-	) Bumper, Rbr, 0.6d 0.34t .3d Tip	1
11	1023081	(000000-	) Tube, Hyd, Main Return [M20]	1
12	53466	(000000-	) Clamp, Cable, Stl, 1.50d X 1.00w, 1h	1
13	40625	(000000-	) Fitting, Hyd, Cap, Jf06	3
14	1028821	(000000-	) Tube, Hyd, Sqge	1
15	39277	(000000-	) Screw, Hex, M8 X 1.25 X 25, 8.8	8
16	32491	(000000-	) Washer, Flat, 0.31, Std	7

Fig. 64 - Hydraulic Reservoir Group

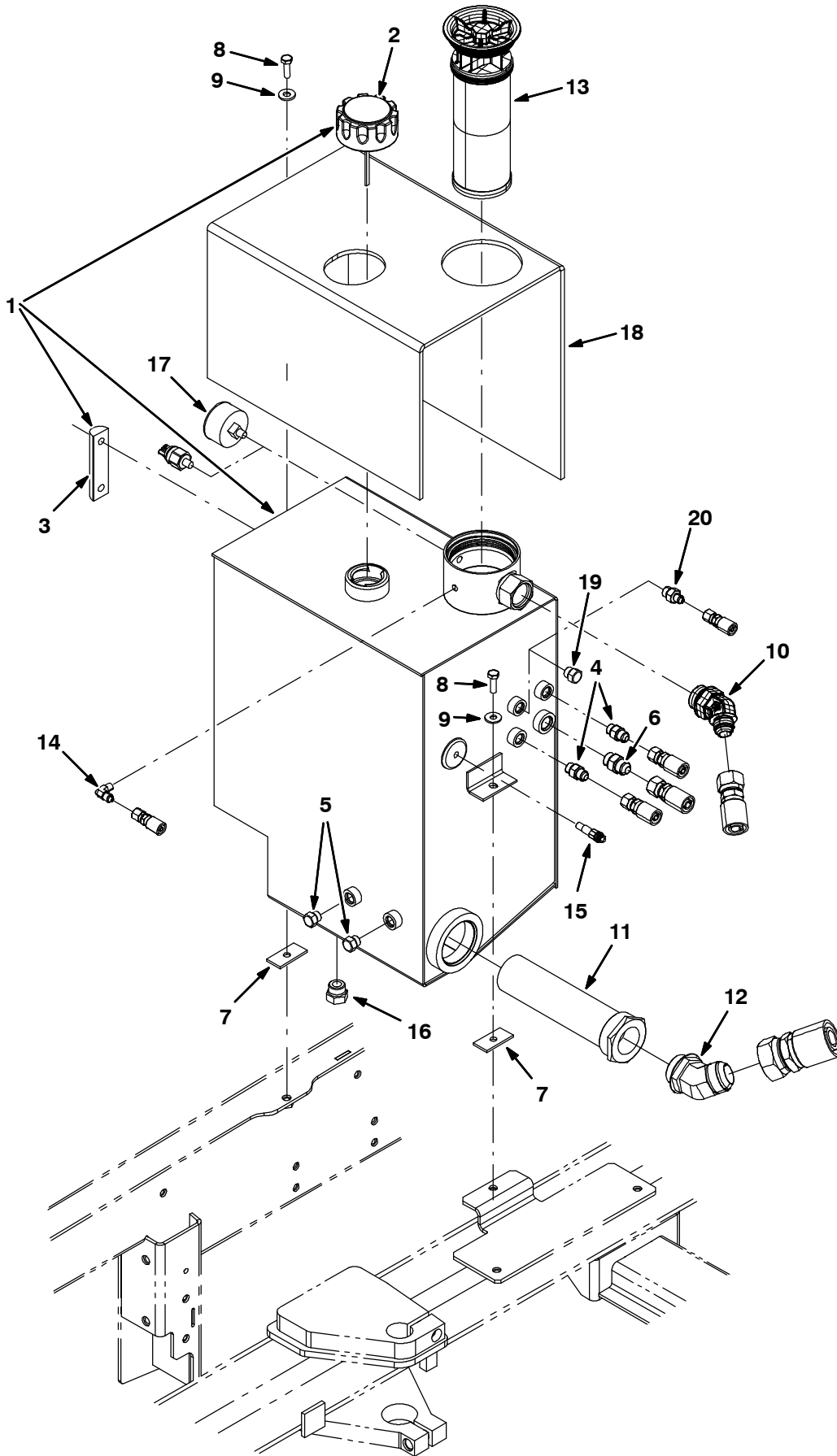




Fig. 64 - Hydraulic Reservoir Group

Ref.	Part No.	Serial Number	Description	Qty.
▽	1	9002398	(000000- ) Reservoir, Hyd, 10.0Gal, Replmt	1
▲	2	25122	(000000- ) Cap, Breather, Hyd, 2.4 Ds	1
▲	3	65215	(000000- ) Gauge, Sensing, Level	1
	4	56690	(000000- ) Fitting, Hyd, Str, Jm06/Om06	2
	5	46482	(000000- ) Fitting, Hyd, Plug, Om06	2
	6	44869	(000000- ) Fitting, Hyd, Str, Jm08/Om08	1
	7	1040318	(000000- ) Pad, Tank, Hyd [W/Psa]	2
	8	39277	(000000- ) Screw, Hex, M8 X 1.25 X 25, 8.8	2
	9	32491	(000000- ) Washer, Flat, 0.31 Std	2
	10	1023545	(000000- ) Fitting, Hyd, E45, Jm12/Om16	1
	11	31613	(000000- ) Strainer, Hyd, 25gpm 100mesh Psi	1
	12	71726	(000000- ) Fitting, Hyd, E45, Jm20/Om20	1
	13	1021579	(000000- ) Filter Assy [Pt4 936498]	1
	14	55455	(000000- ) Fitting, Hyd, E90, Jm04/Pm02	1
	15	58592	(000000- ) Send-Unit, Water, Temp, 04npt 113oh/195d	1
	16	40362	(000000- ) Fitting, Hyd, Plug, Om10	1
	17	1025132	(000000- ) Indicator, Press, 60psi	1
	18	1034878	(000000- ) Insulation, Thermal, Hydraulic Blanket	1
	19	46482	(000000- ) Fitting, Hyd, Plug, Om06 (Cylindrical Scrub Head)	1
	20	55685	(000000- ) Fitting, Hyd, Str, Jm04/Om06 (Disk Scrub Head)	1

**Fig. 65 - Hydraulic Valves Group**

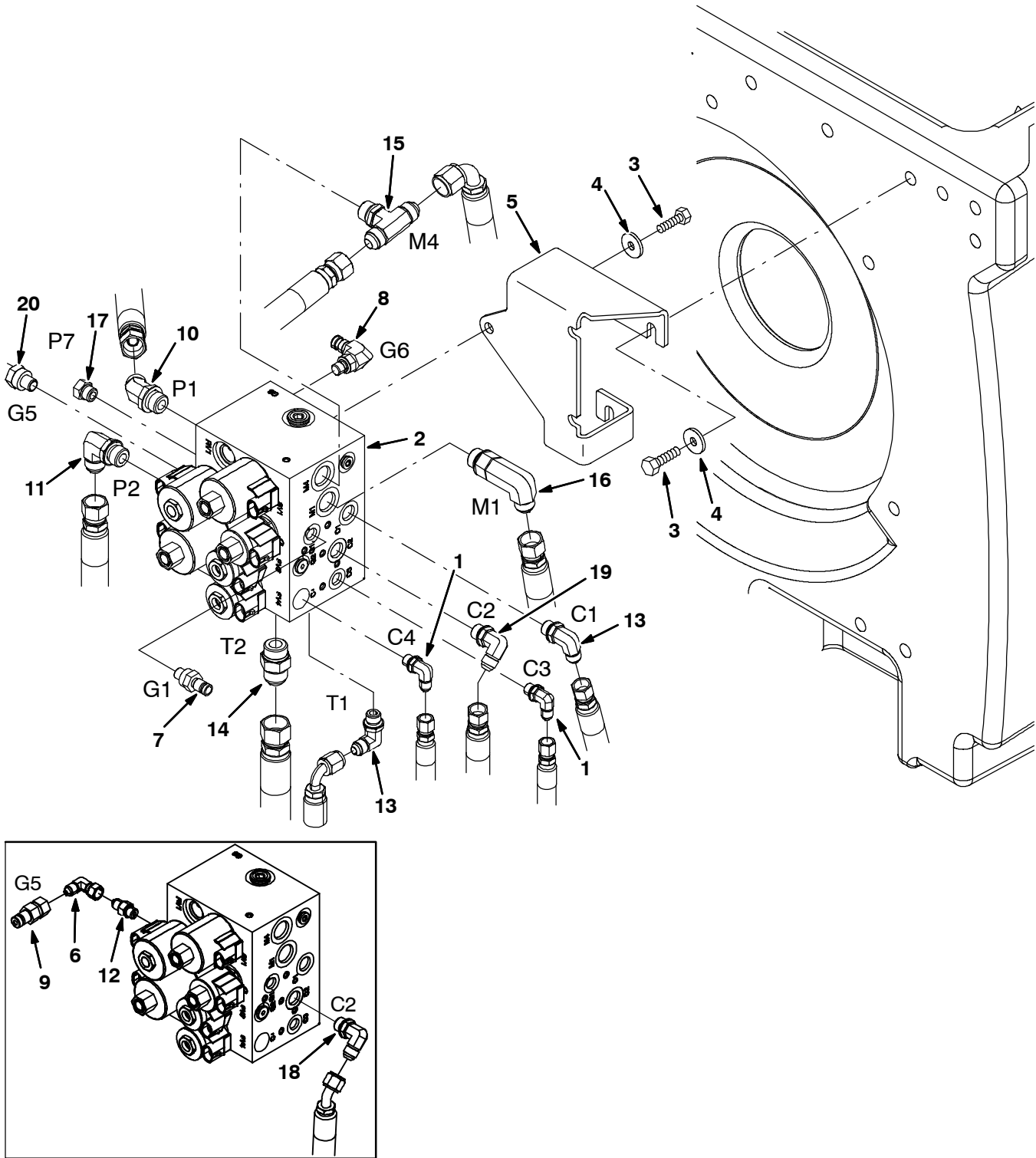
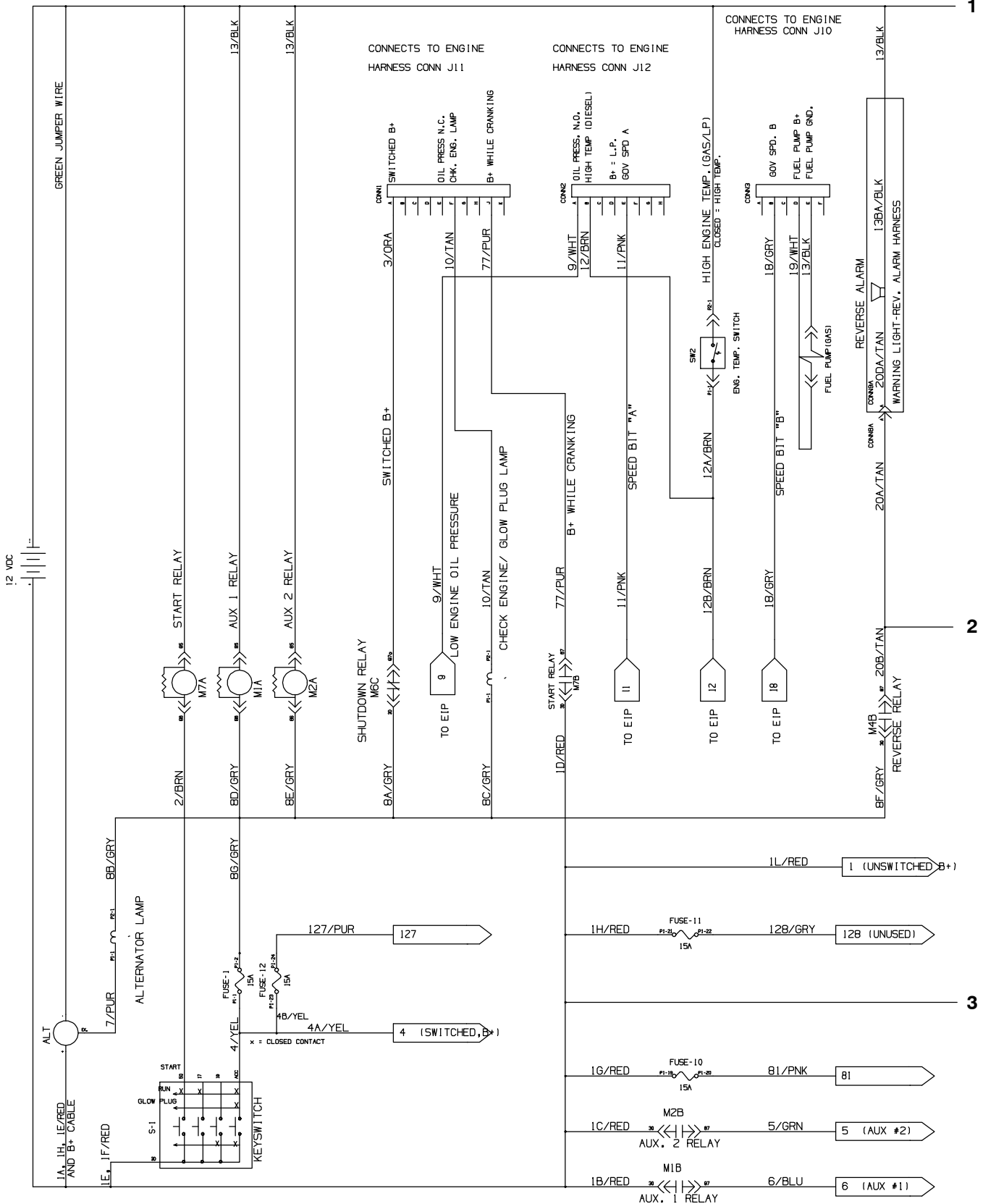


Fig. 65 - Hydraulic Valves Group

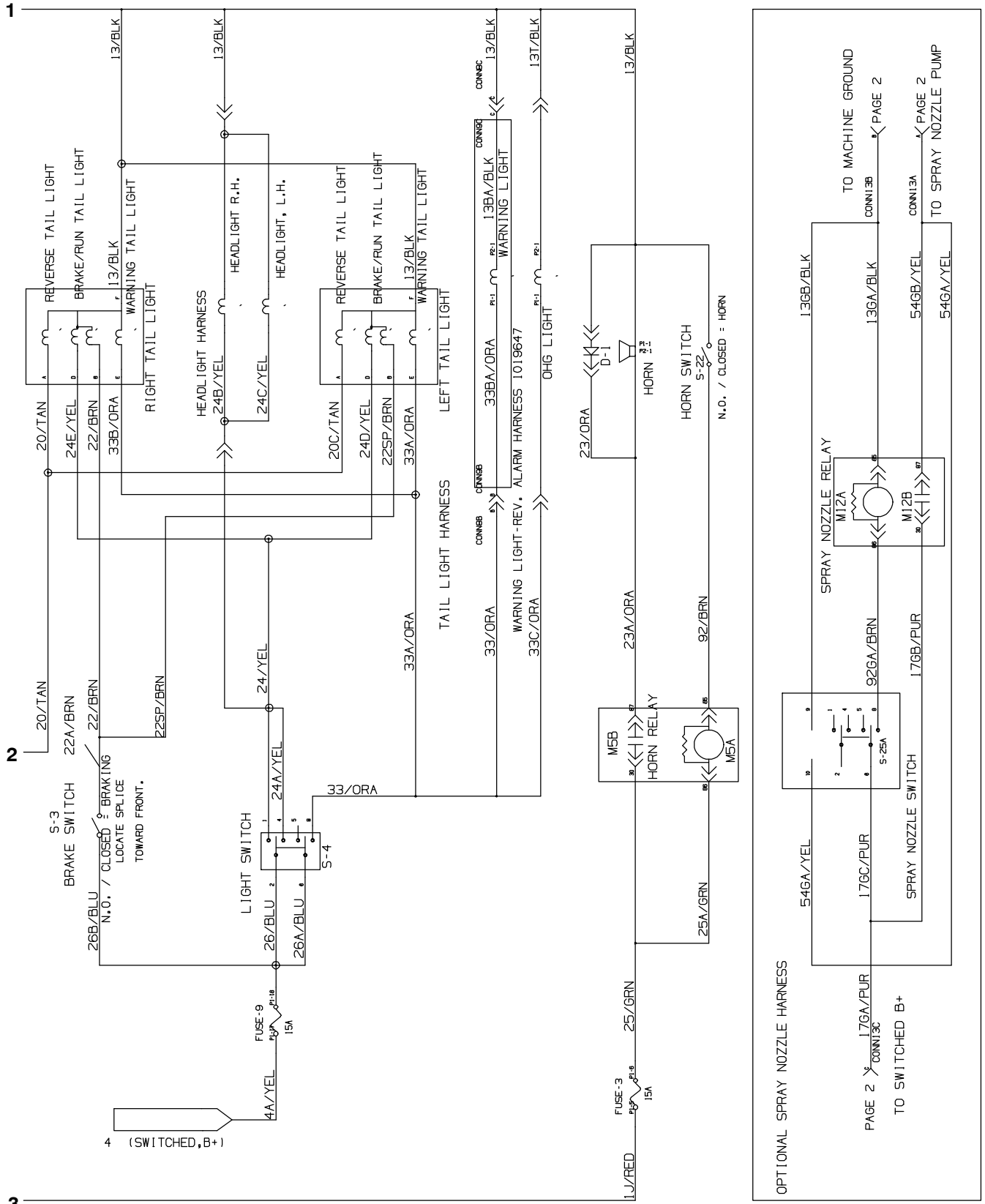
Ref.	Part No.	Serial Number	Description	Qty.
1	77097	(000000-	) Fitting, Hyd, E90, Jm04/Om04	2
2	1020394	(000000-	) Valve, Cntrl, Hyd (See Breakdowns)	1
3	09740	(000000-	) Screw, Hex, M8 X 1.25 X 20, Ss	6
4	1017218	(000000-	) Washer, Flat, 0.32b 1.00d .12, Ss	6
5	1021991	(000000-	) Bracket, Mtg, Valve, Hyd, Scb	1
6	39210	(000000-001018	) Fitting, Hyd, E90, Jf04/Jm04	1
7	395973	(000000-	) Fitting, Hyd, Str, Om04/Qm04	1
8	395974	(000000-	) Fitting, Hyd, E90, Om04/Qm04	1
9	396476	(000000-001018	) Fitting, Hyd, Str, Jf04/Qm04	1
10	42226	(000000-	) Fitting, Hyd, E45, Jm08/Om08	1
11	44868	(000000-	) Fitting, Hyd, E90, Jm08/Om08	1
12	55586	(000000-001018	) Fitting, Hyd, Str, Jm04/Om04	1
13	56820	(000000-	) Fitting, Hyd, E90, Jm06/Om06	2
14	46480	(000000-	) Fitting, Hyd, Str, Jm10/Om10	1
15	49933	(000000-	) Fitting, Hyd, Tee, Jm08/Jm08/Om08, Br	1
16	69173	(000000-	) Fitting, Hyd, E90, Jm08/Om08, L	1
17	46482	(000000-	) Fitting, Hyd, Plug, Om06	1
18	56820	(000000-001037	) Fitting, Hyd, E90, Jm06/Om06	1
19	71727	(001038-	) Fitting, Hyd, E90, Jm06/Om06, L	1
20	395973	(001019-	) Fitting, Hyd, Str, Om04/Qm04	1

Fig. 66 - Electrical Schematic (000000-001499)



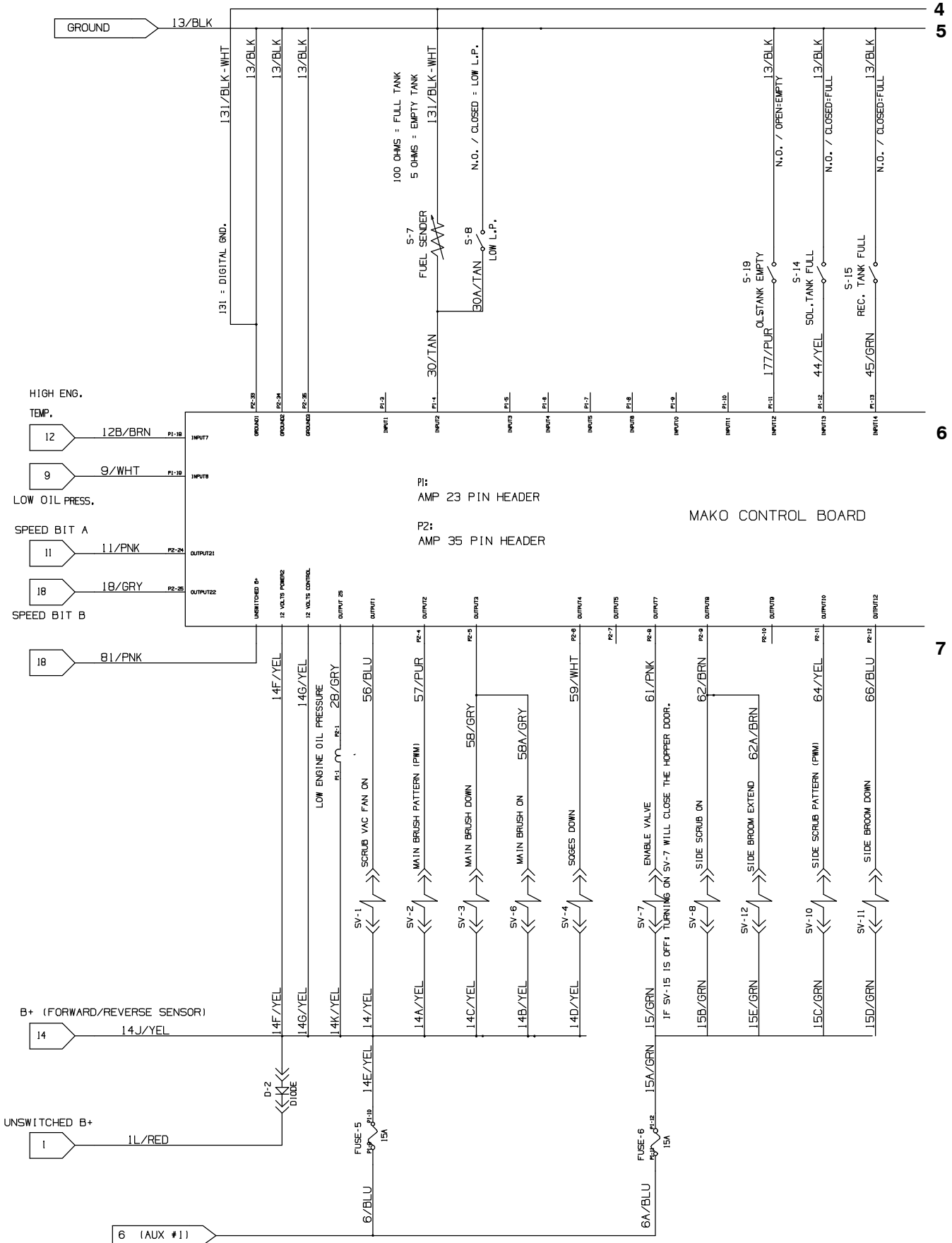
354405 - 1029601

Fig. 66 - Electrical Schematic (000000-001499)



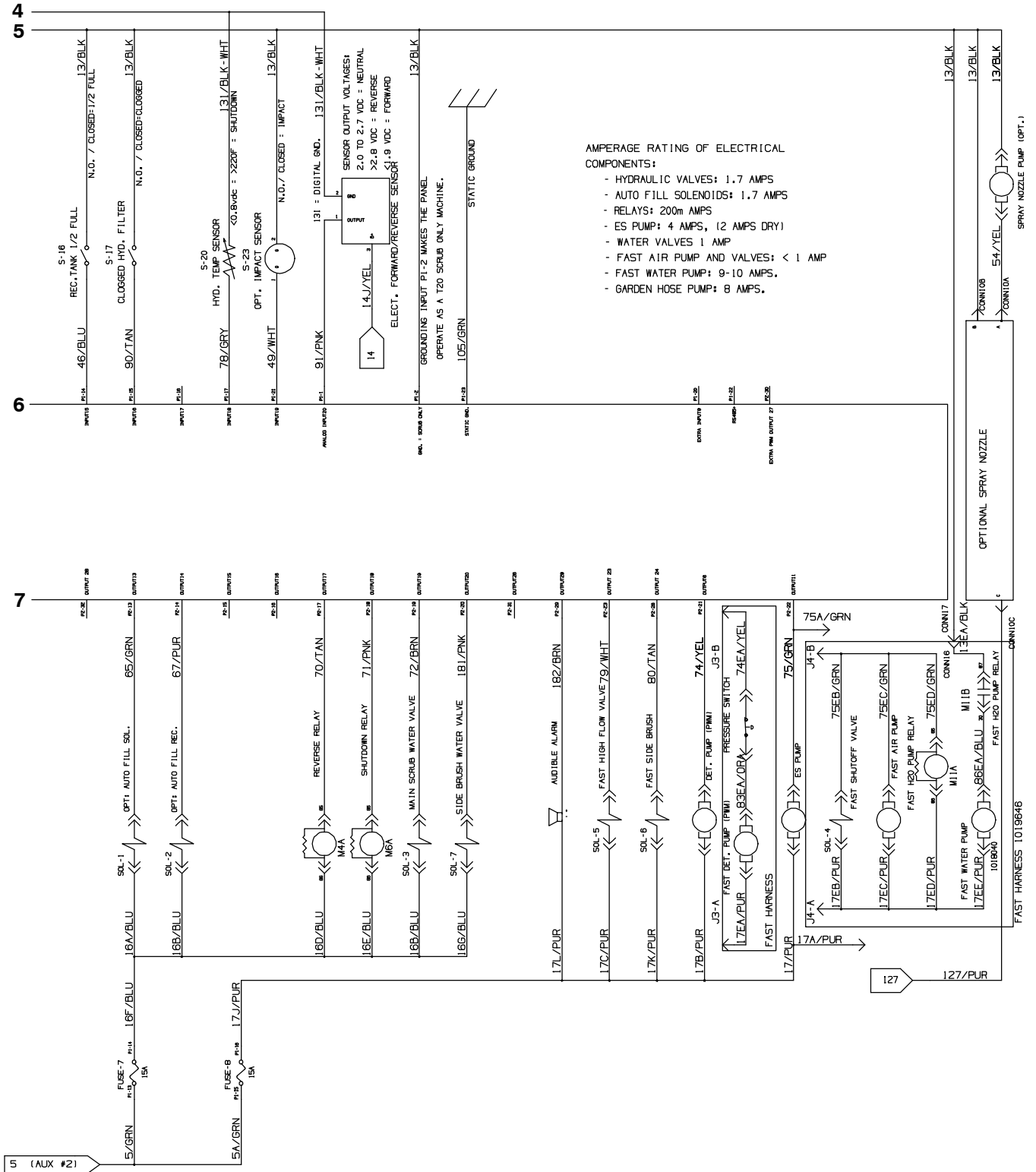
354405 - 1029601

Fig. 66 - Electrical Schematic (000000-001499)



354405 - 1029601

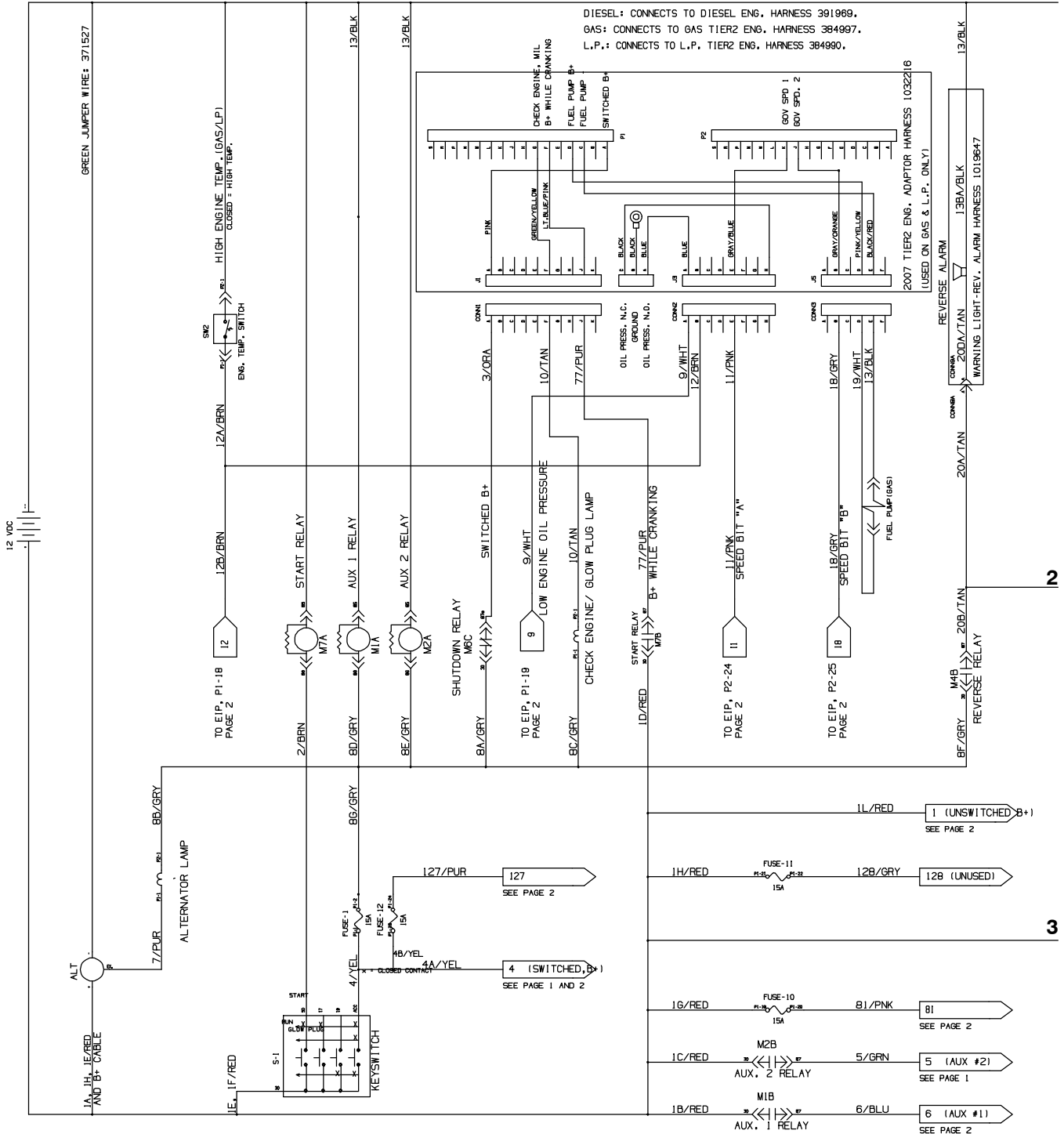
Fig. 66 - Electrical Schematic (000000-001499)



354405 - 1029601

Fig. 67 - Electrical Schematic (001500-001742)

1



2

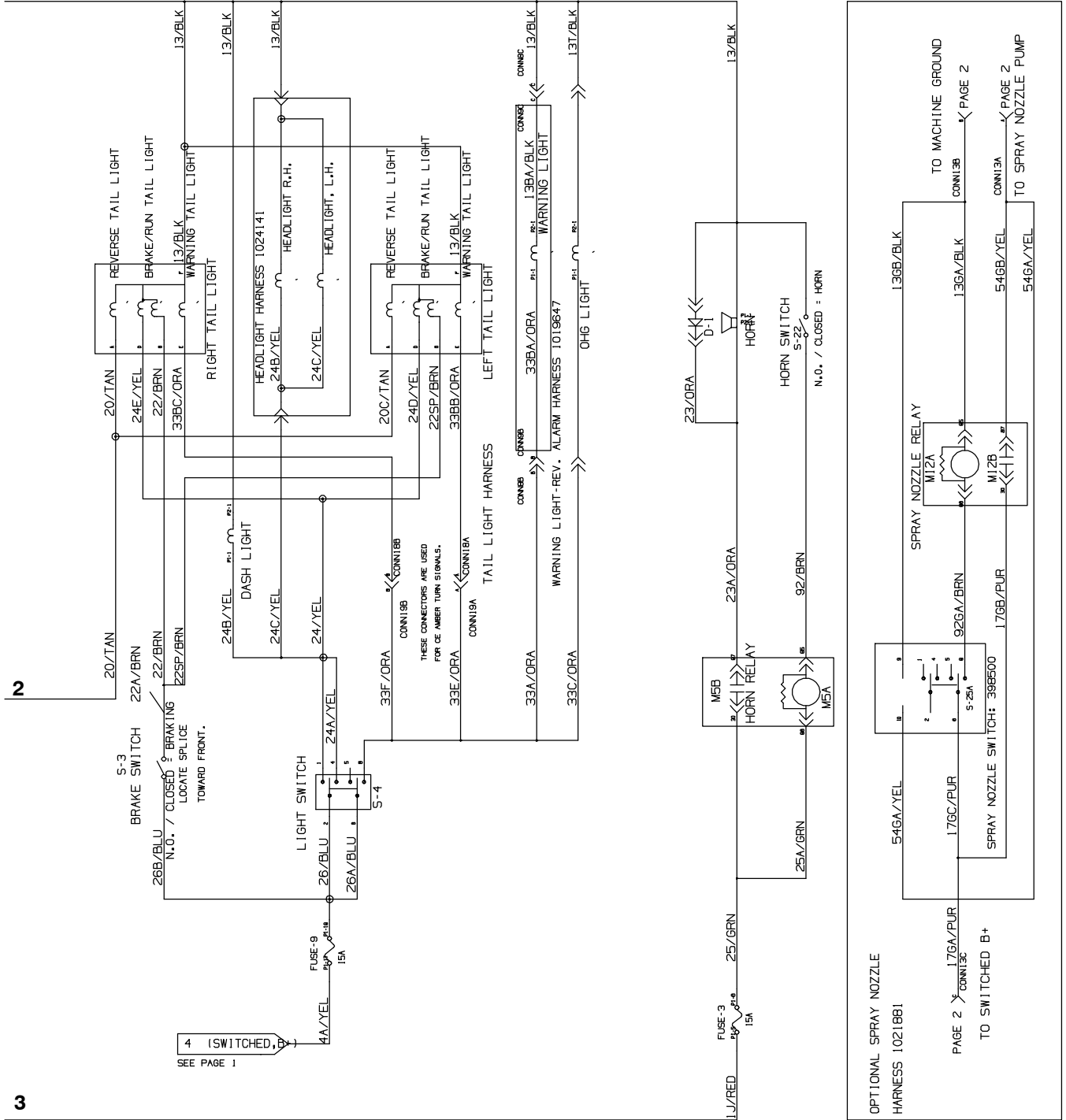
3

354405 - 1029601



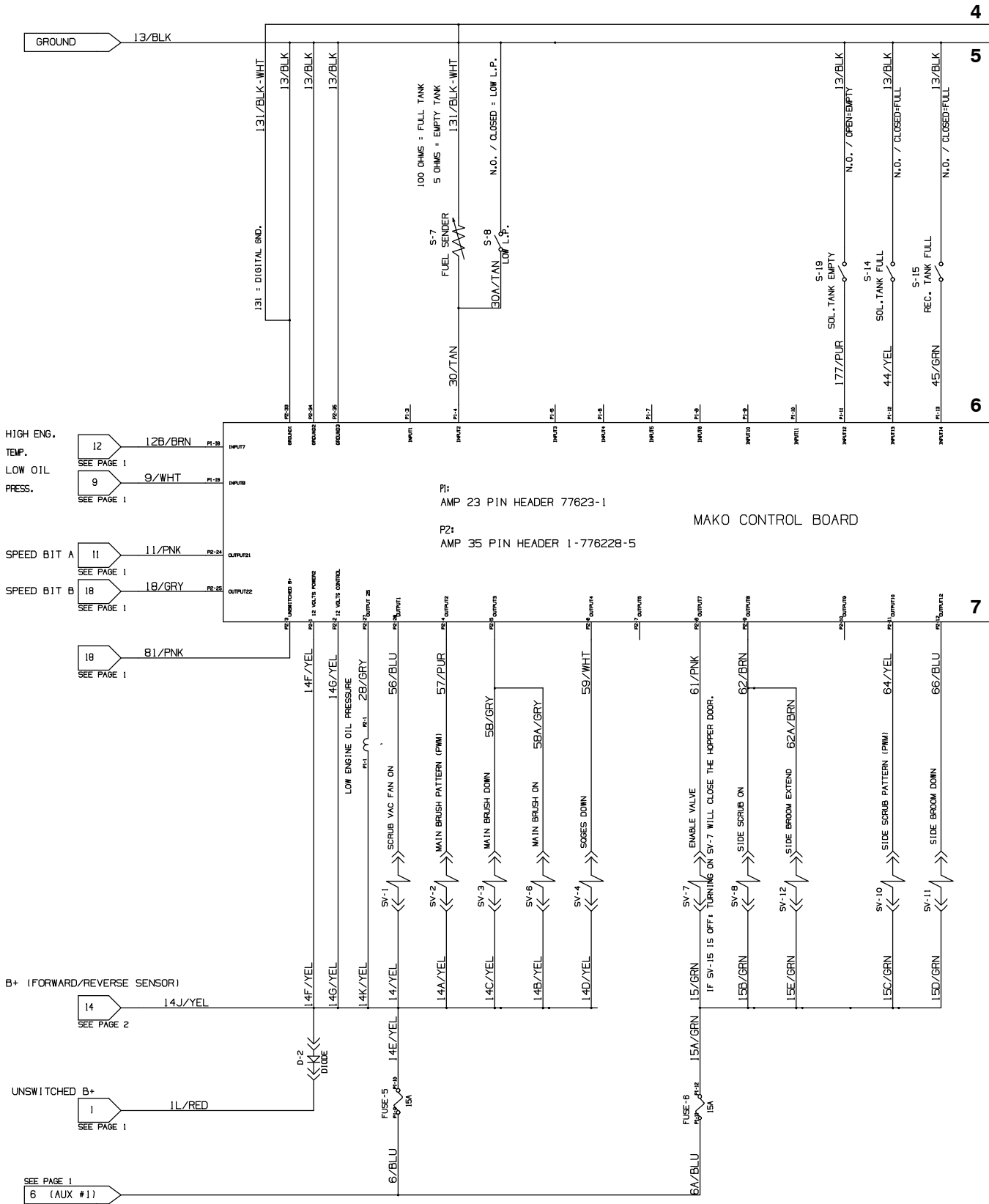
Fig. 67 - Electrical Schematic (001500-001742)

1



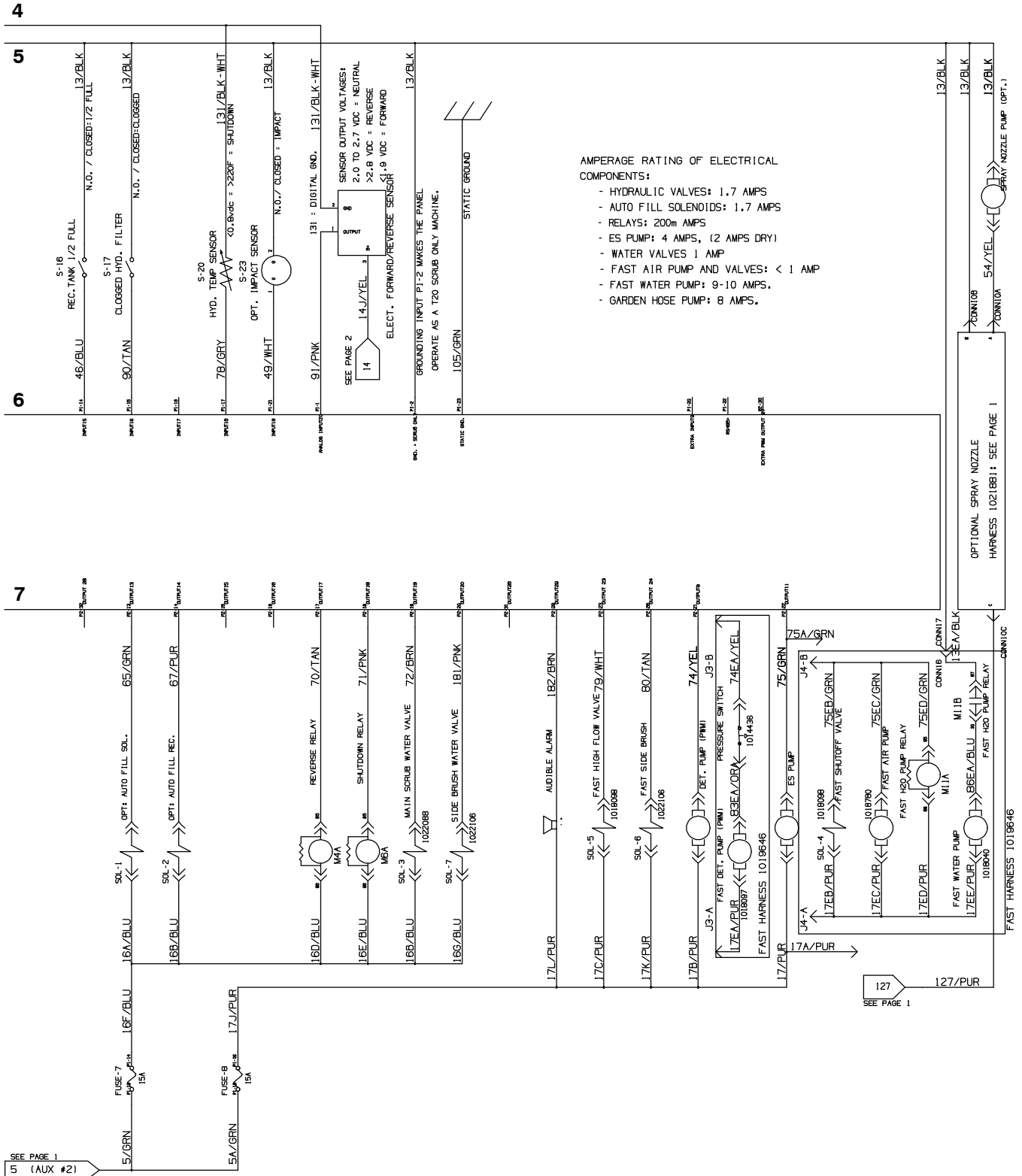
354405 - 1029601

## Fig. 67 - Electrical Schematic (001500-001742)



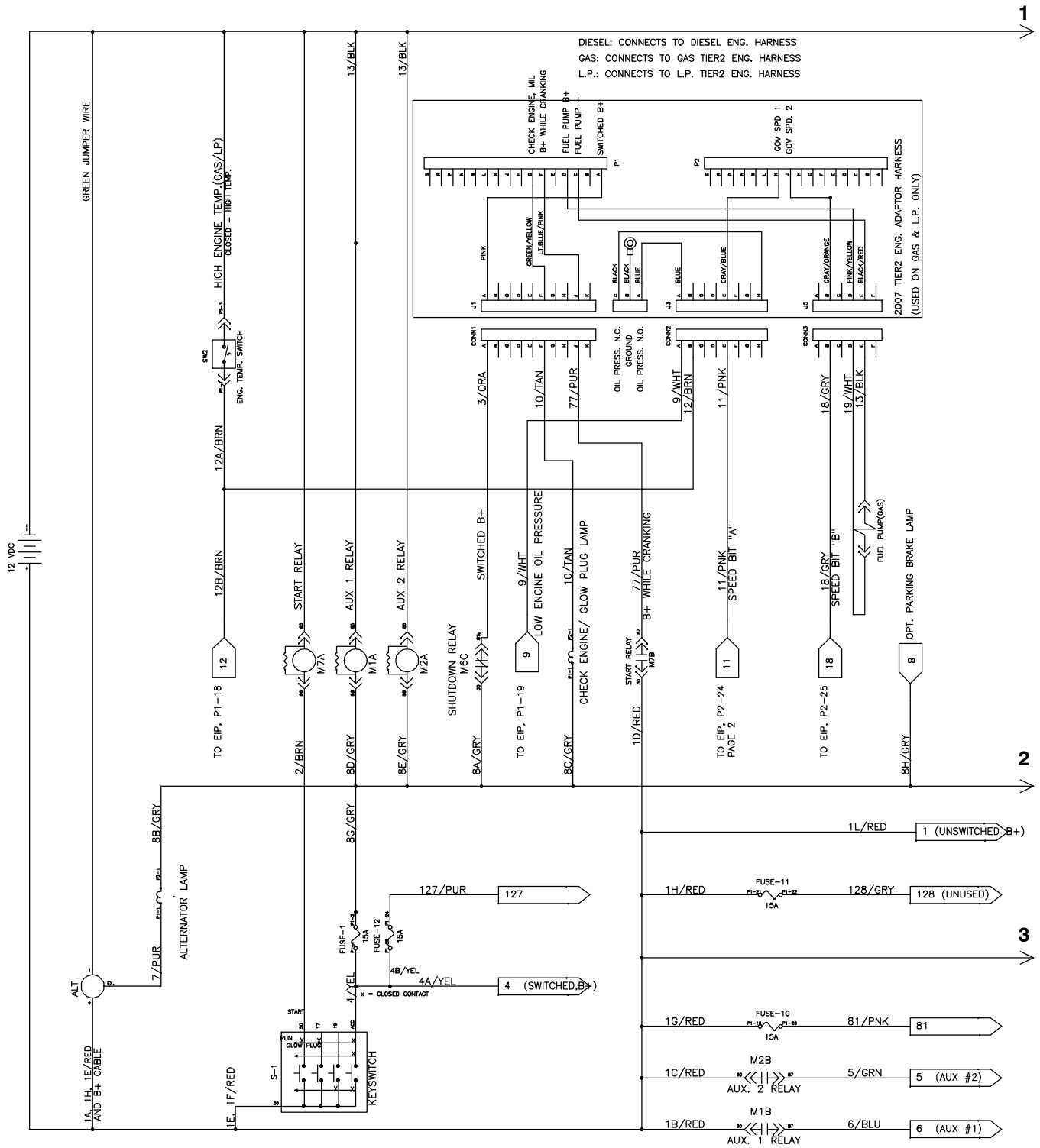
354405 - 1029601

Fig. 67 - Electrical Schematic (001500-001742)



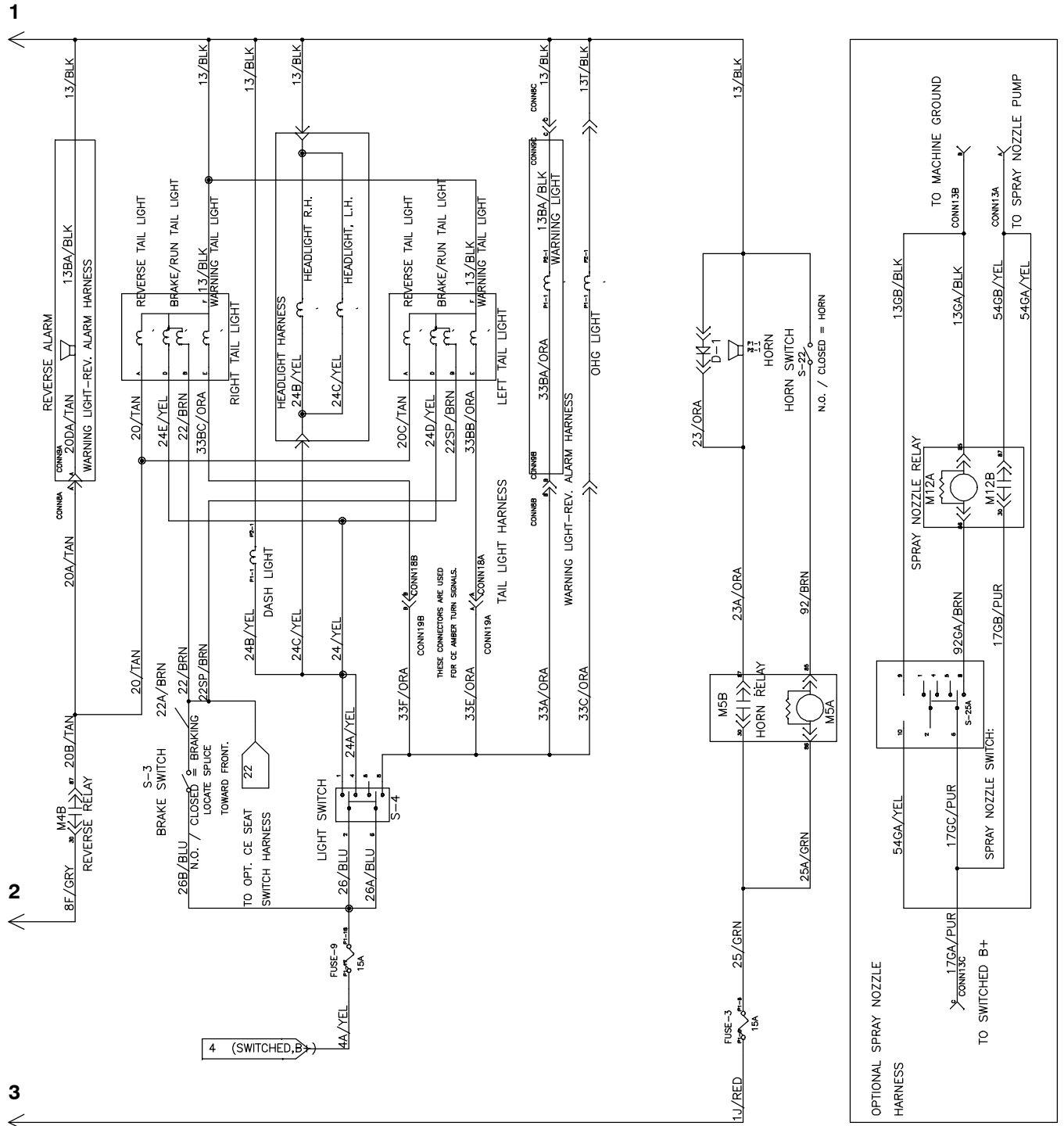
354405 - 1029601

## Fig. 68 - Electrical Schematic (001743- )



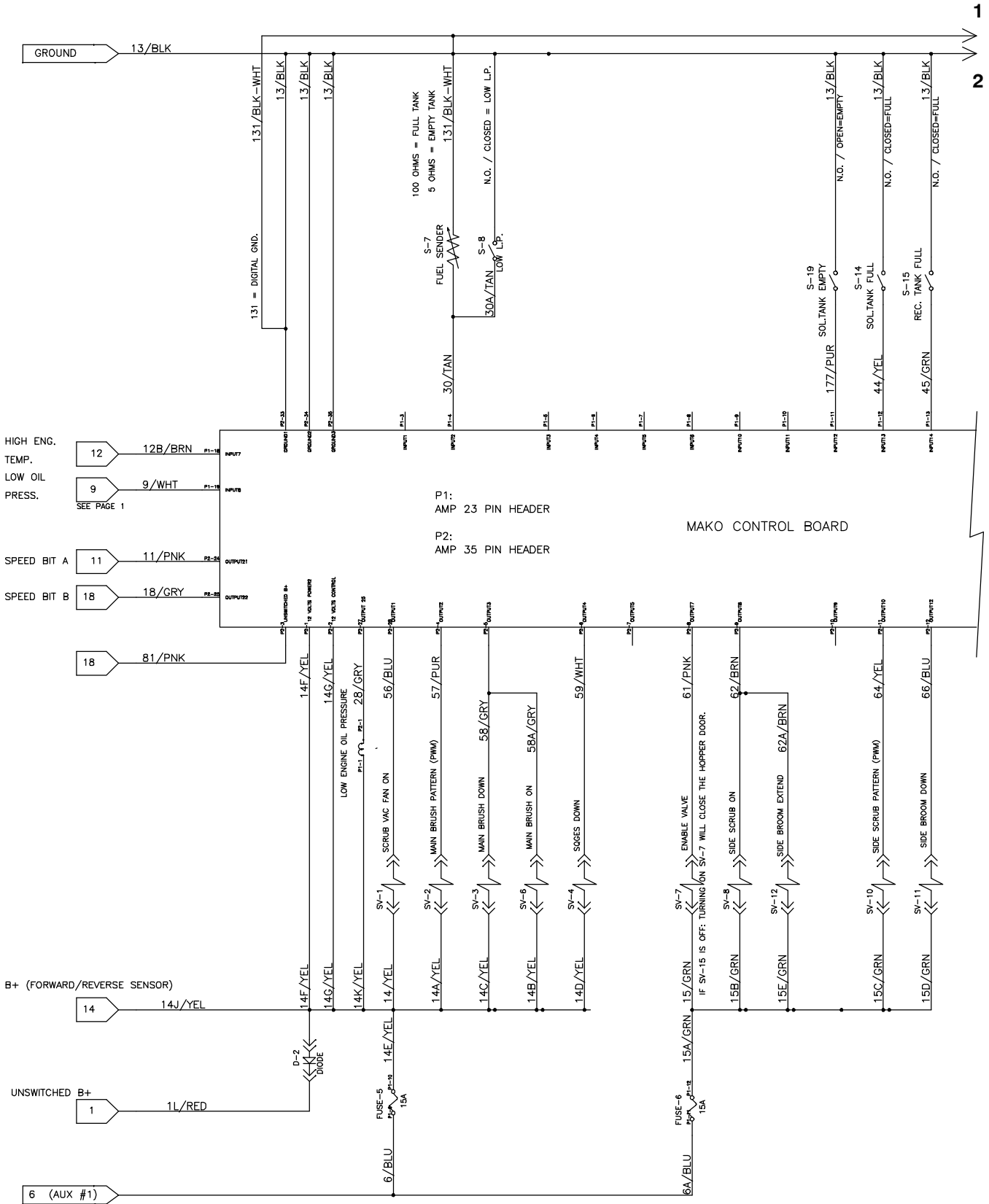
354405 - 1029601

Fig. 68 - Electrical Schematic (001743- )



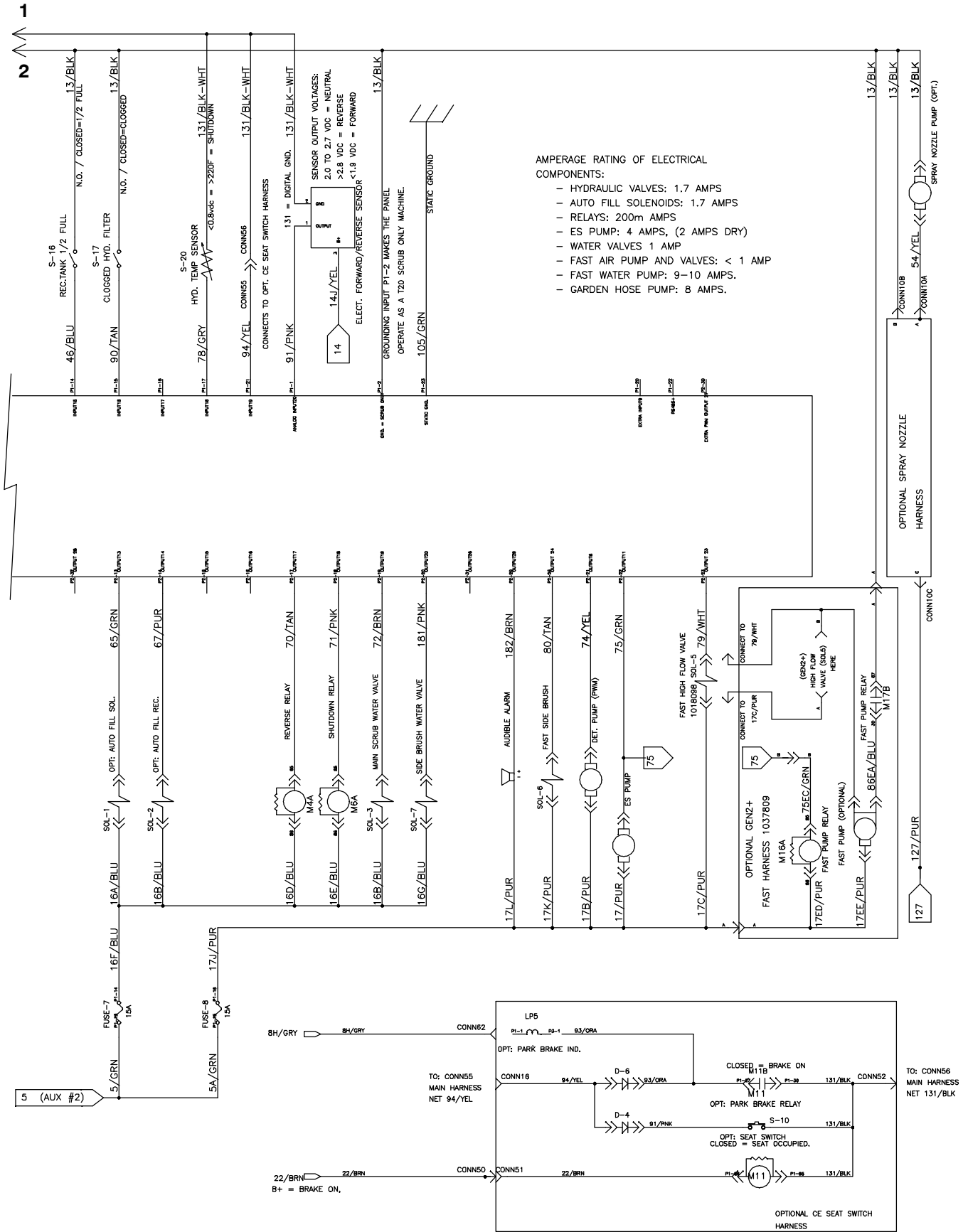
354405 - 1029601

## Fig. 68 - Electrical Schematic (001743- )



354405 - 1029601

Fig. 68 - Electrical Schematic (001743- )



354405 - 1029601

## Fig. 69 - Electrical Schematic, Gasoline/LPG Engine Harness (000000-001499)

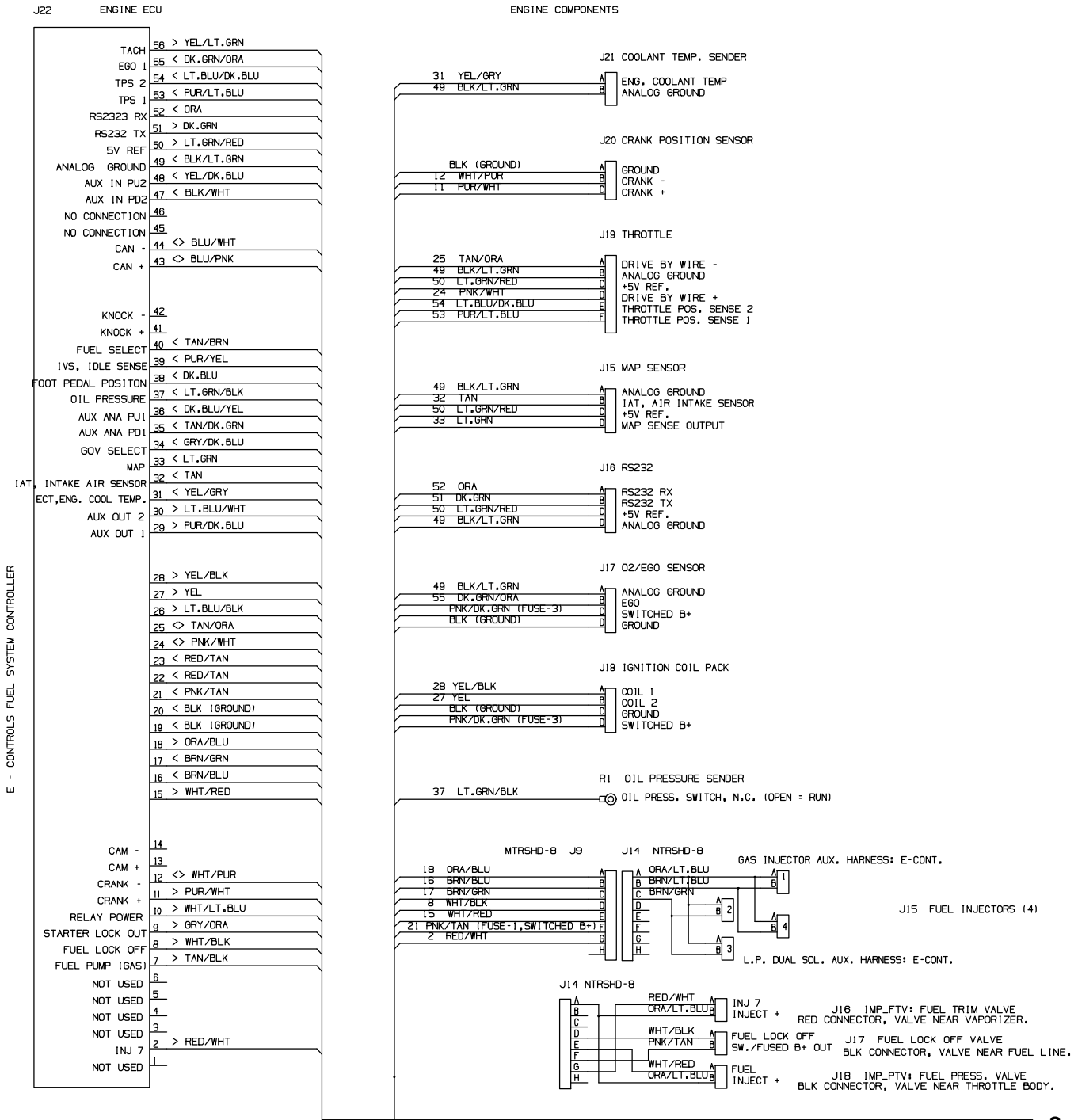
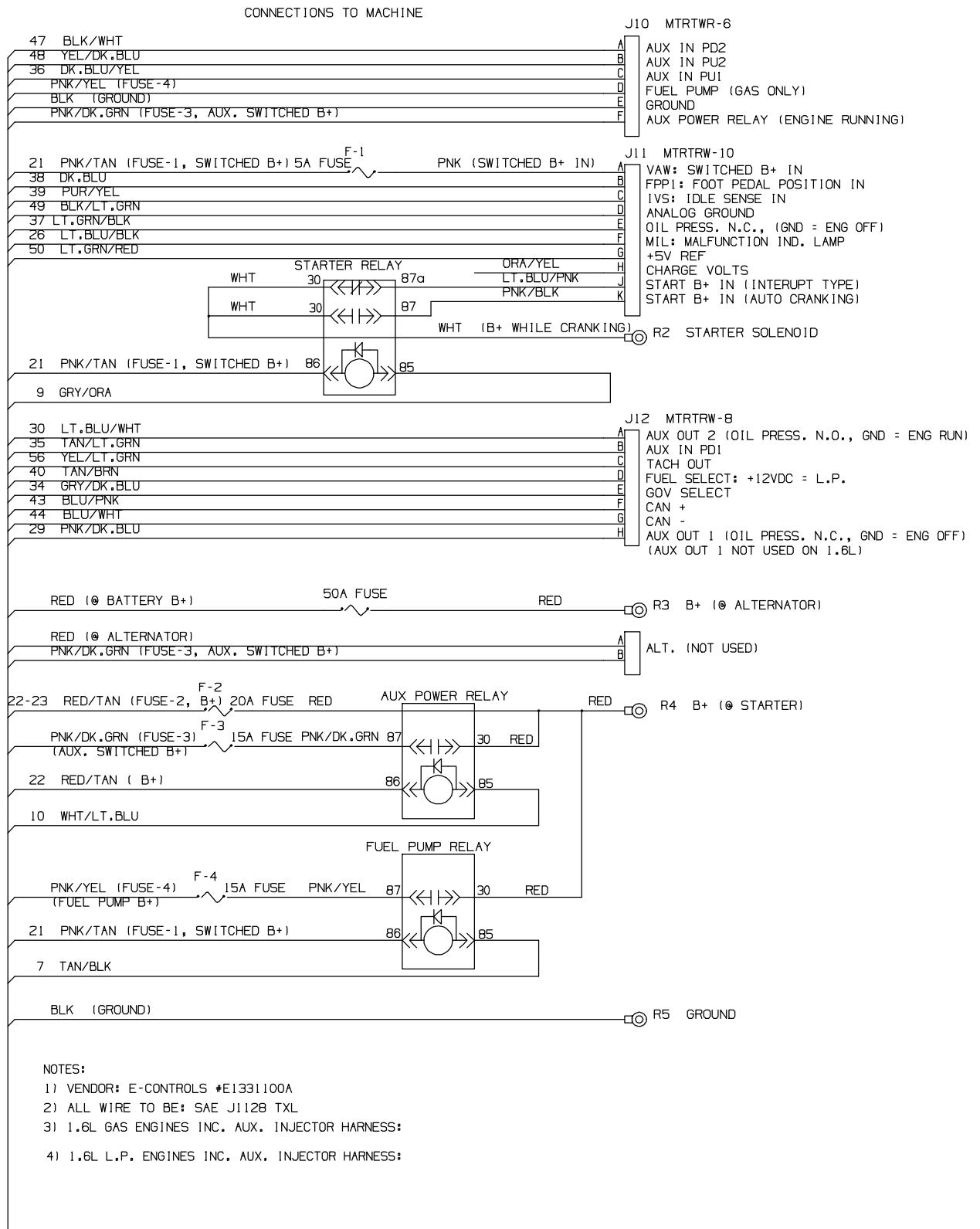




Fig. 69 - Electrical Schematic, Gasoline/LPG Engine Harness (000000-001499)

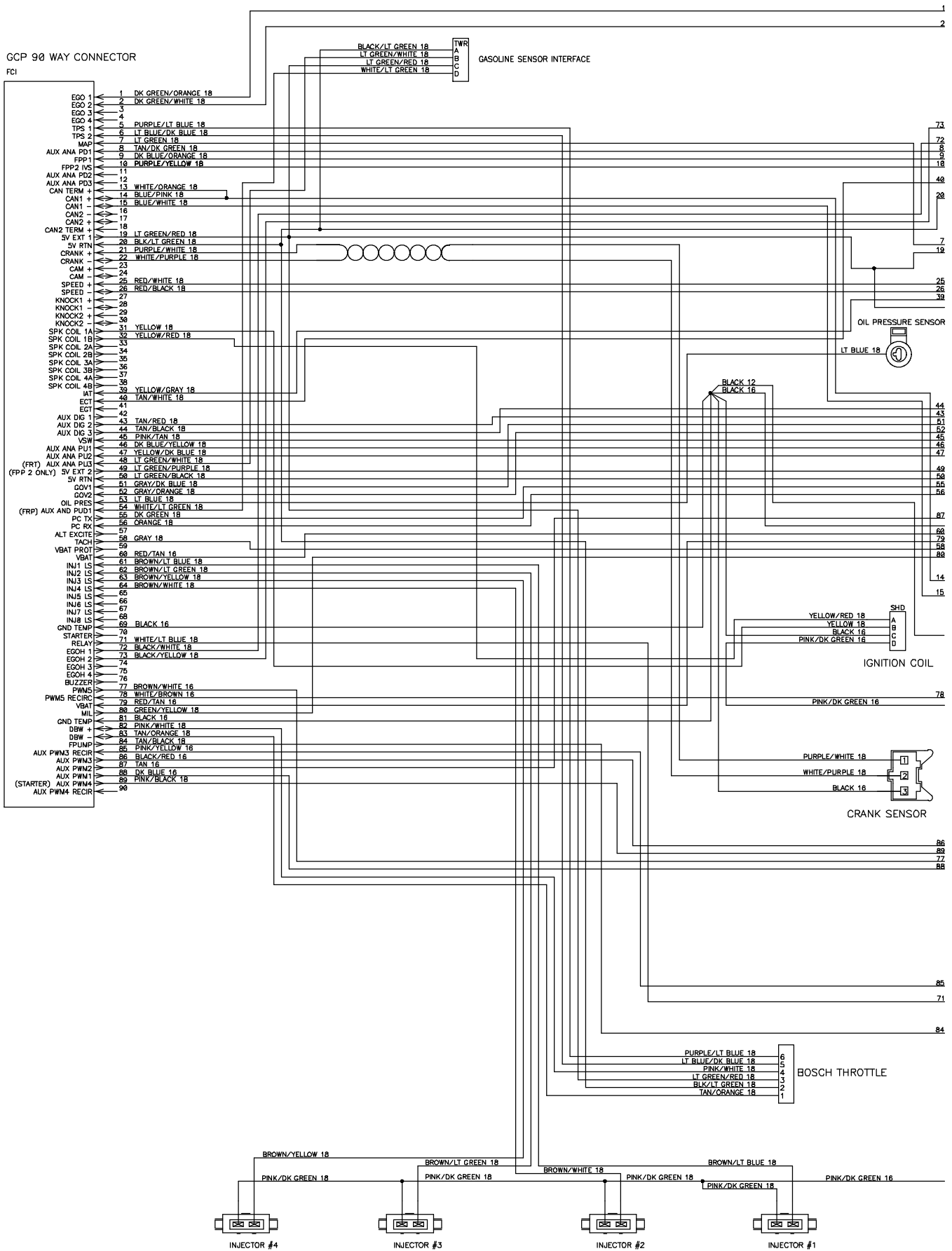


8

1029601

# STANDARD PARTS

Fig. 70 - Electrical Schematic, Gas Engine Harness (001500- )



384997

Fig. 70- Electrical Schematic, Gas Engine Harness (001500- )

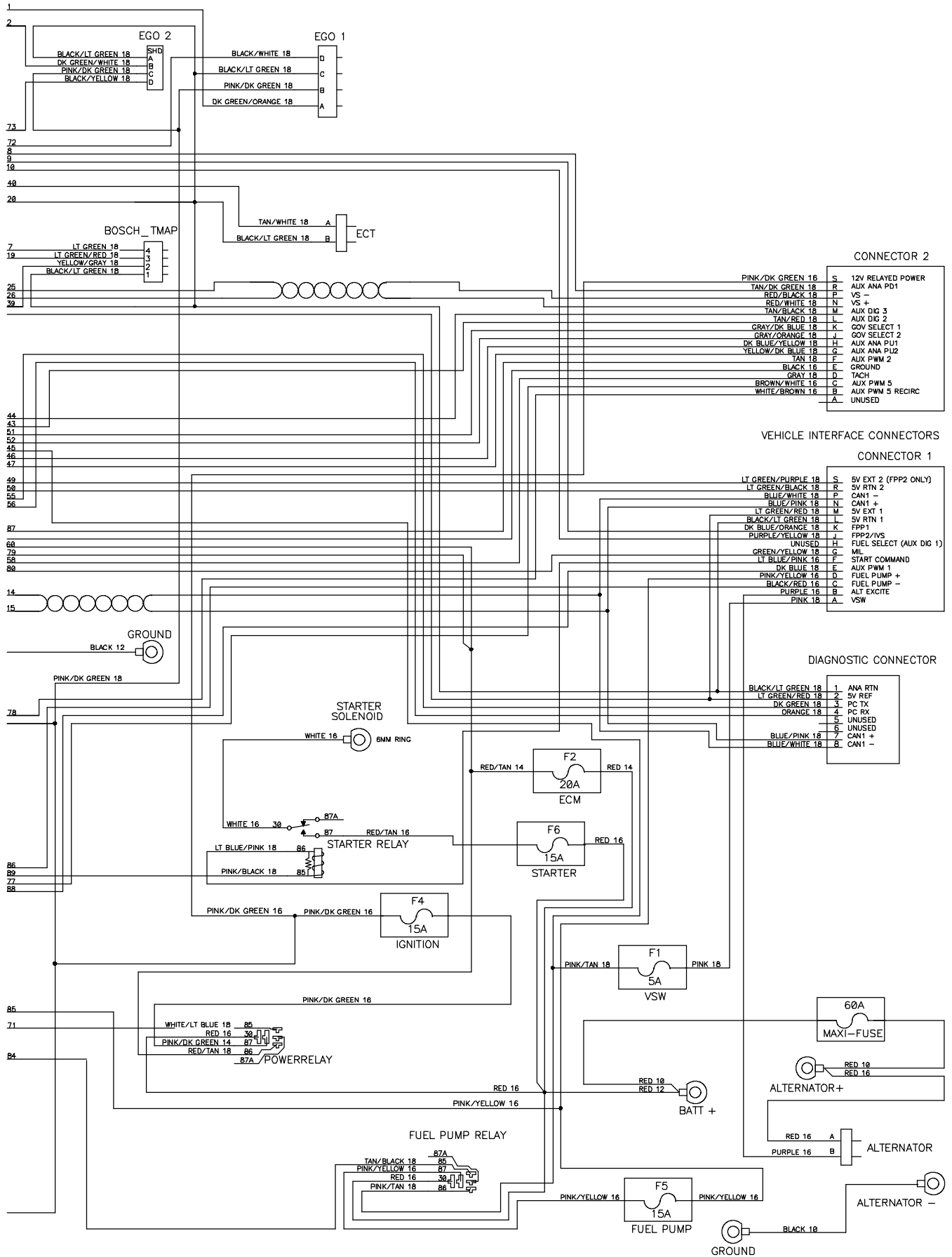


Fig. 71 - Electrical Schematic, LPG Engine Harness (001500- )

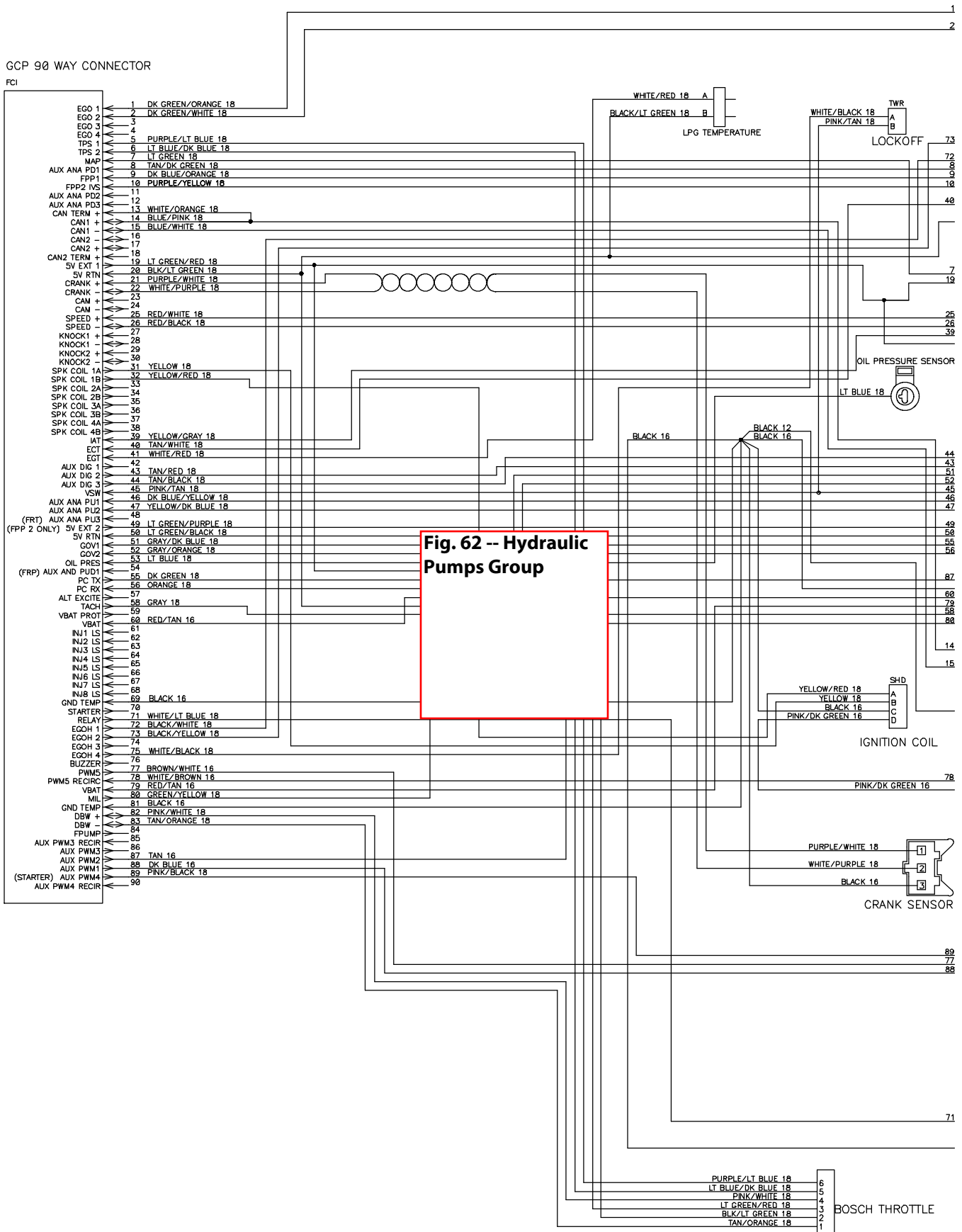


Fig. 71 - Electrical Schematic, LPG Engine Harness (001500- )

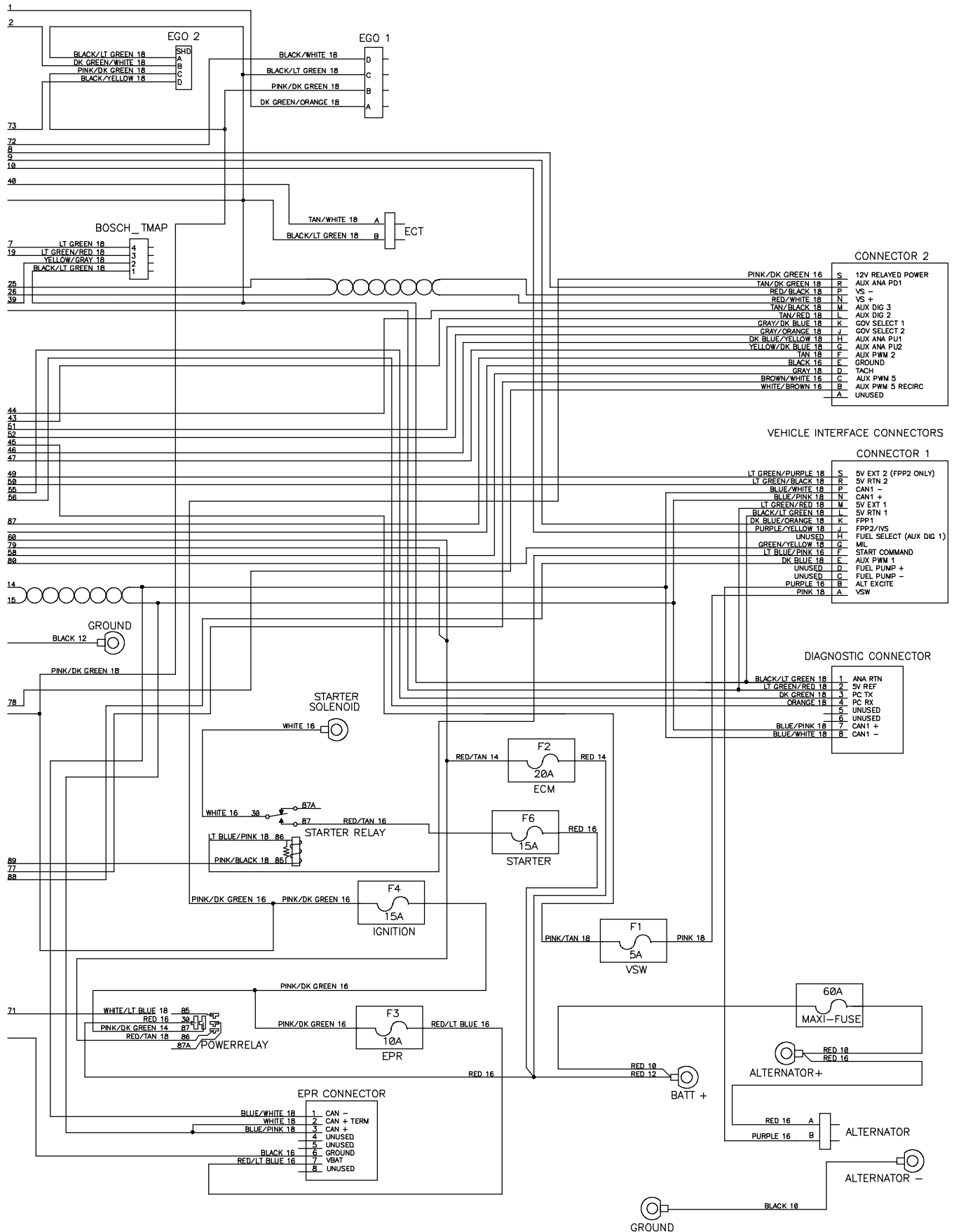


Fig. 72 - Electrical Wire Harness Group

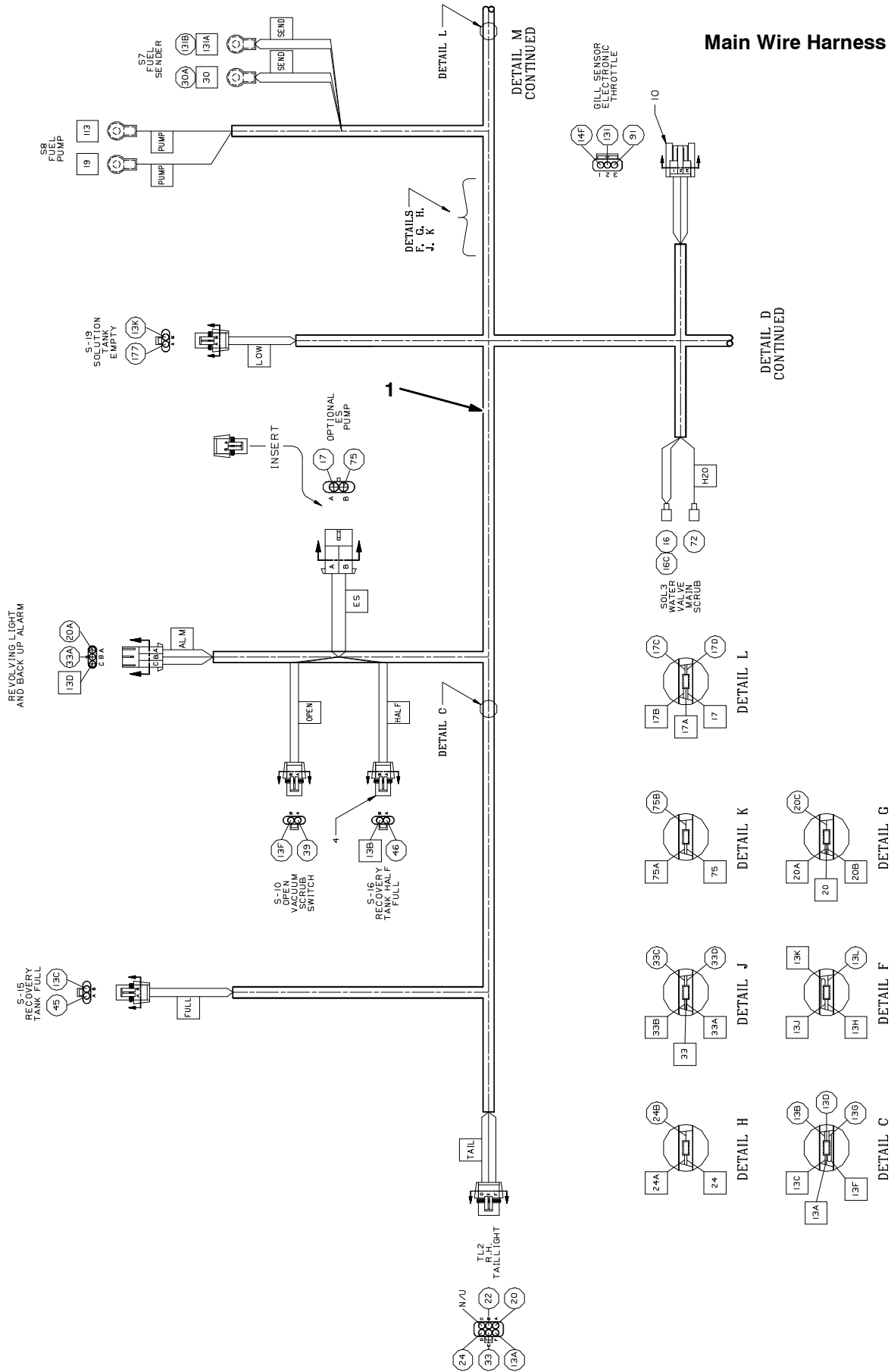


Fig. 72 - Electrical Wire Harness Group

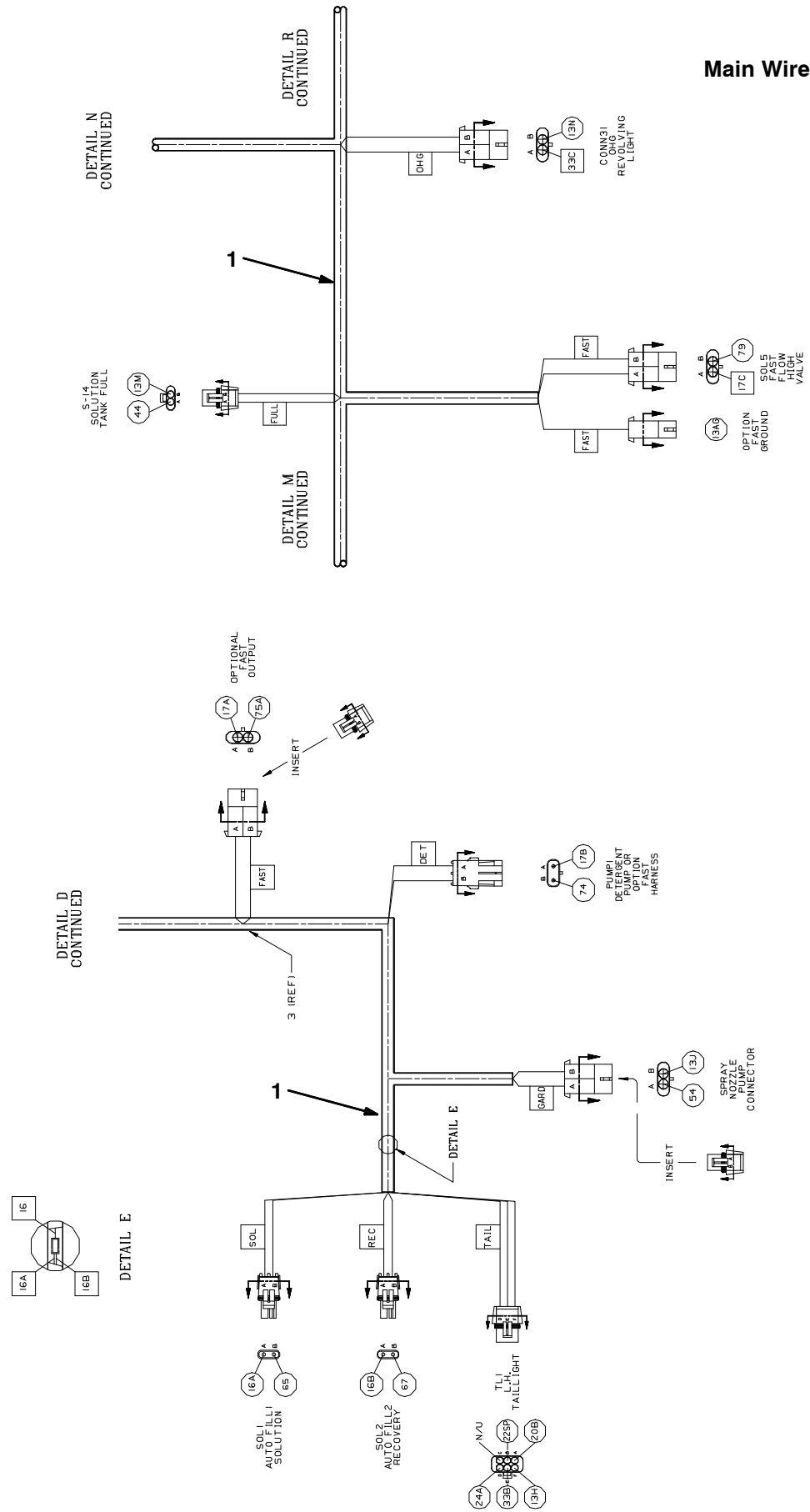


Fig. 72 - Electrical Wire Harnesses Group

Main Wire Harness

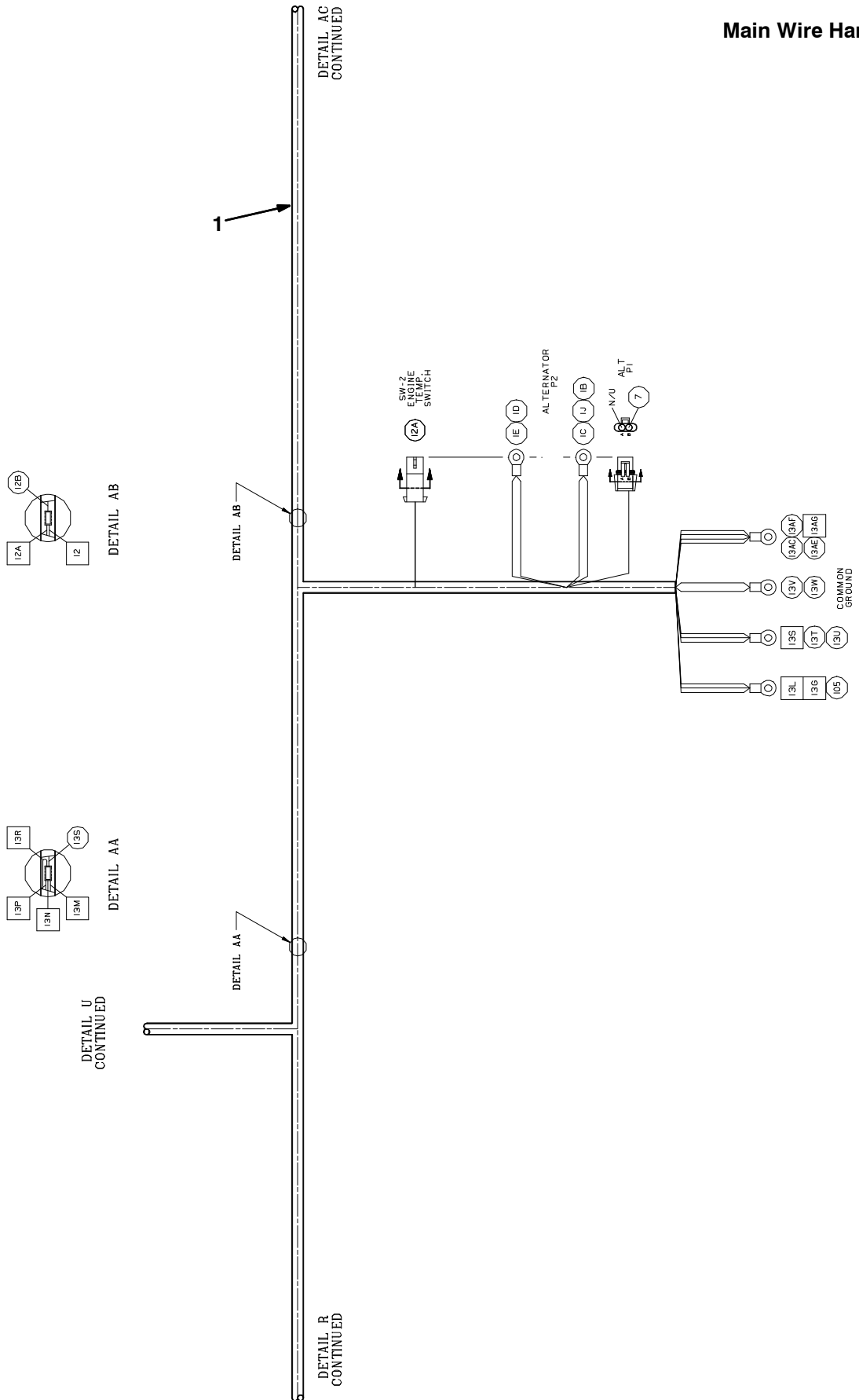




Fig. 72 - Electrical Wire Harnesses Group

Main Wire Harness

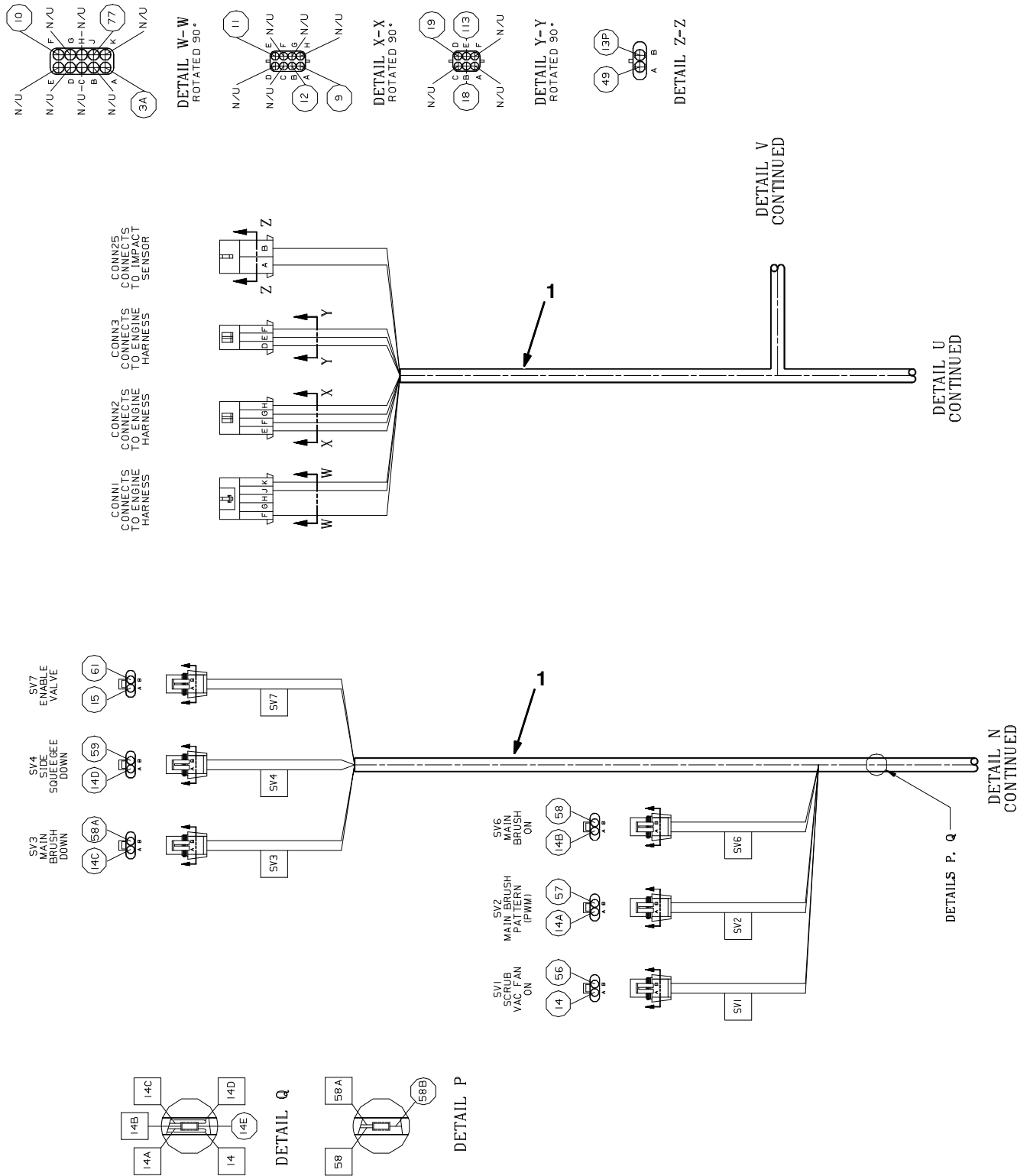


Fig. 72 - Electrical Wire Harness Group

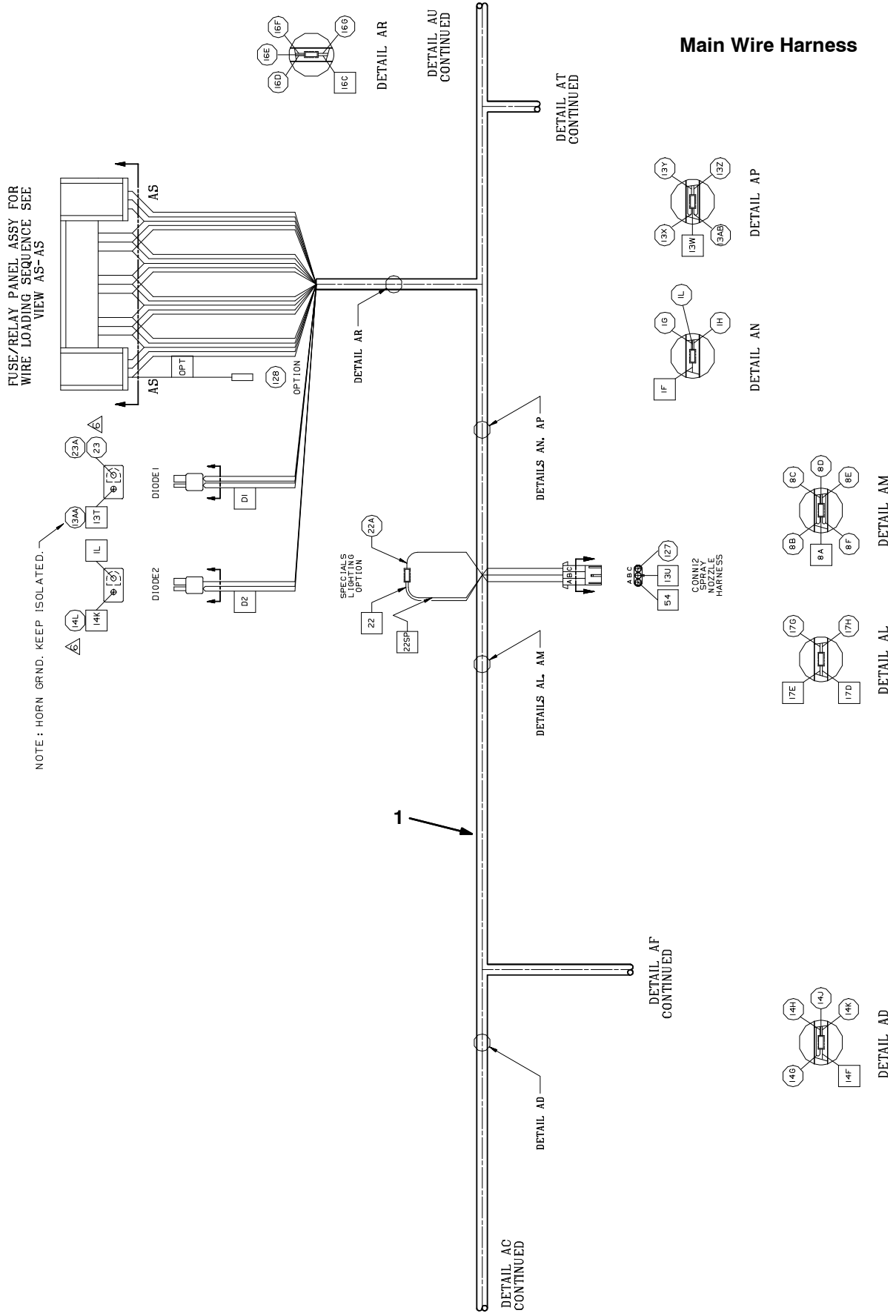


Fig. 72 - Electrical Wire Harnesses Group

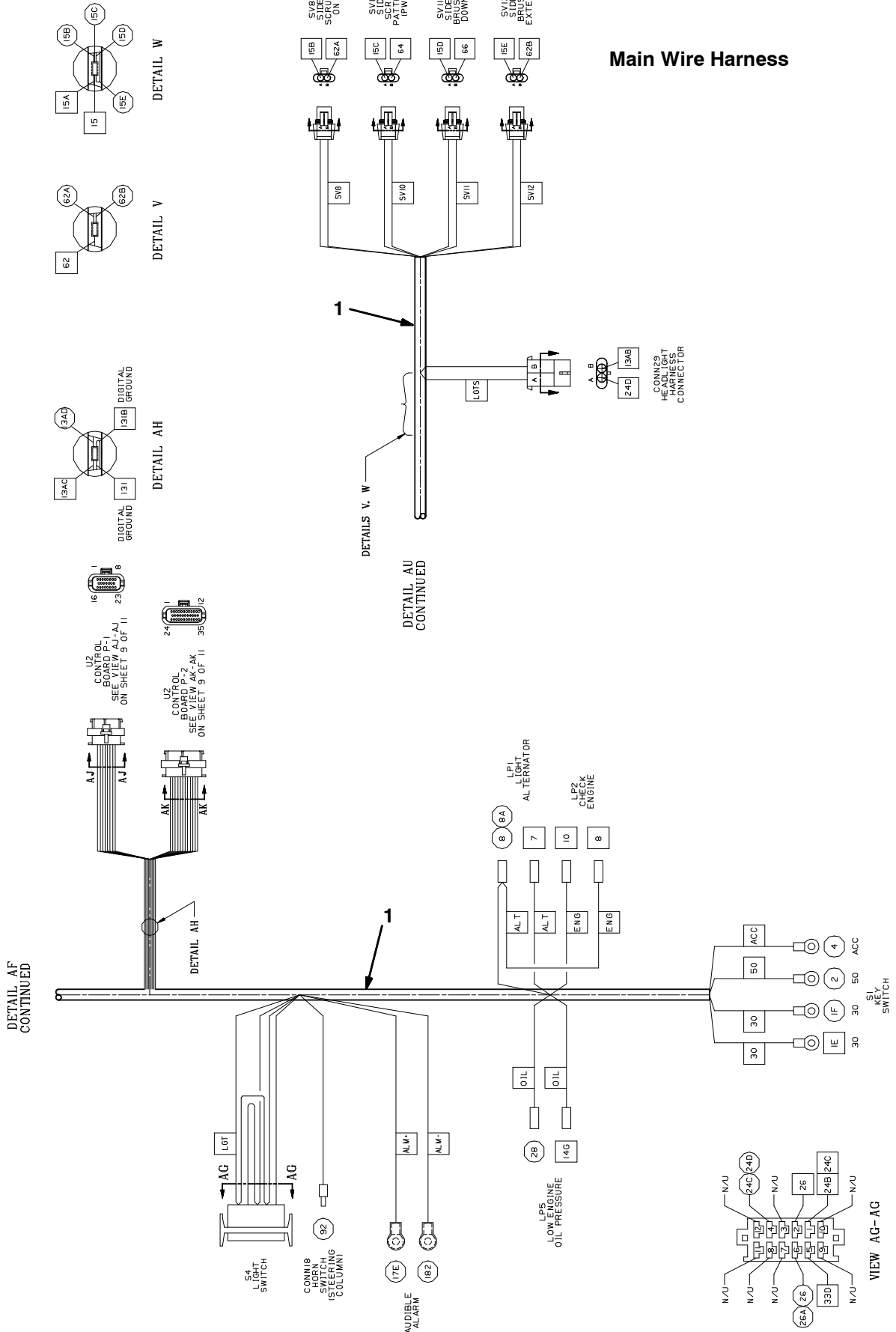


Fig. 72 - Electrical Wire Harness Group

Main Wire Harness

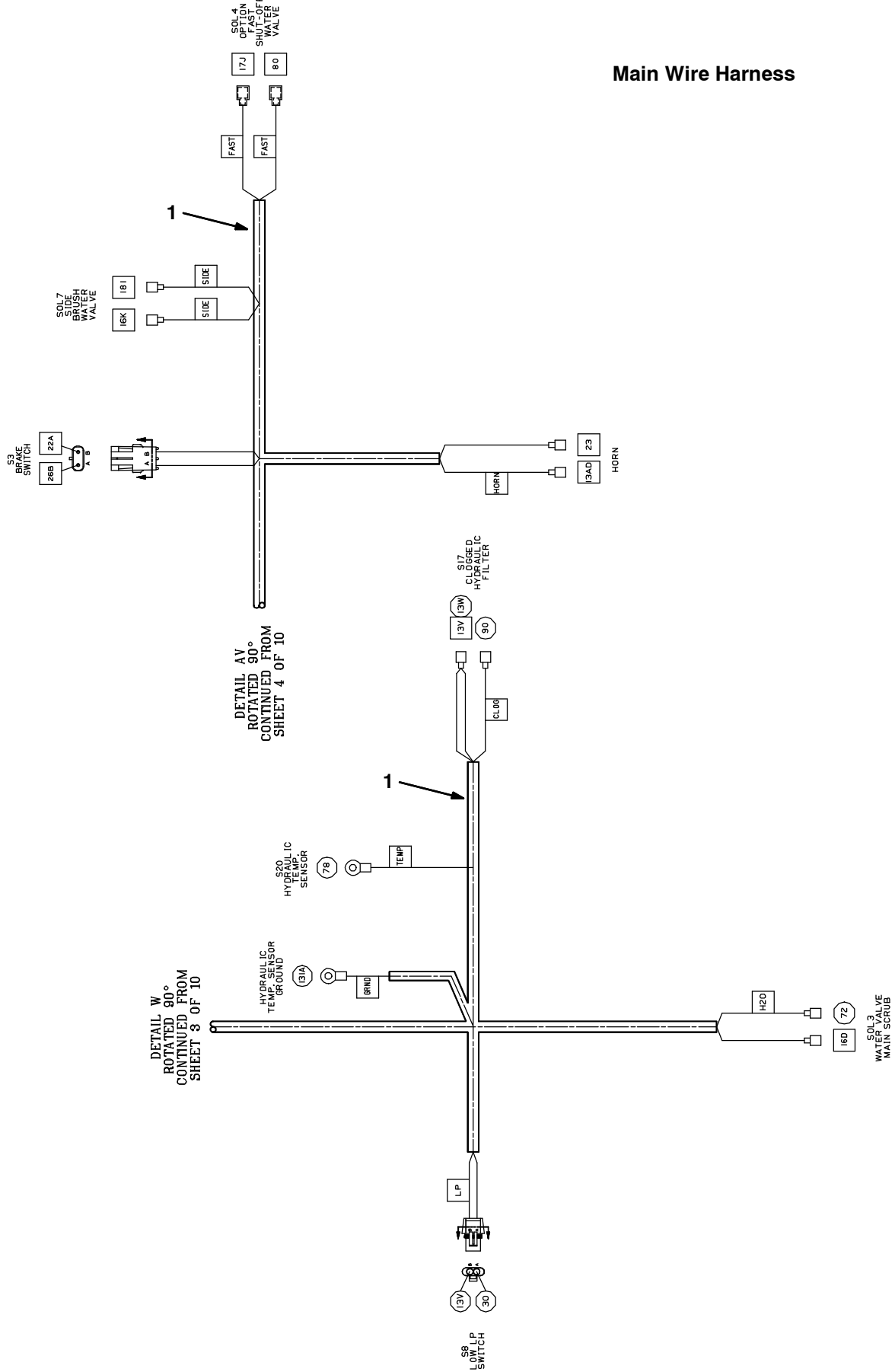
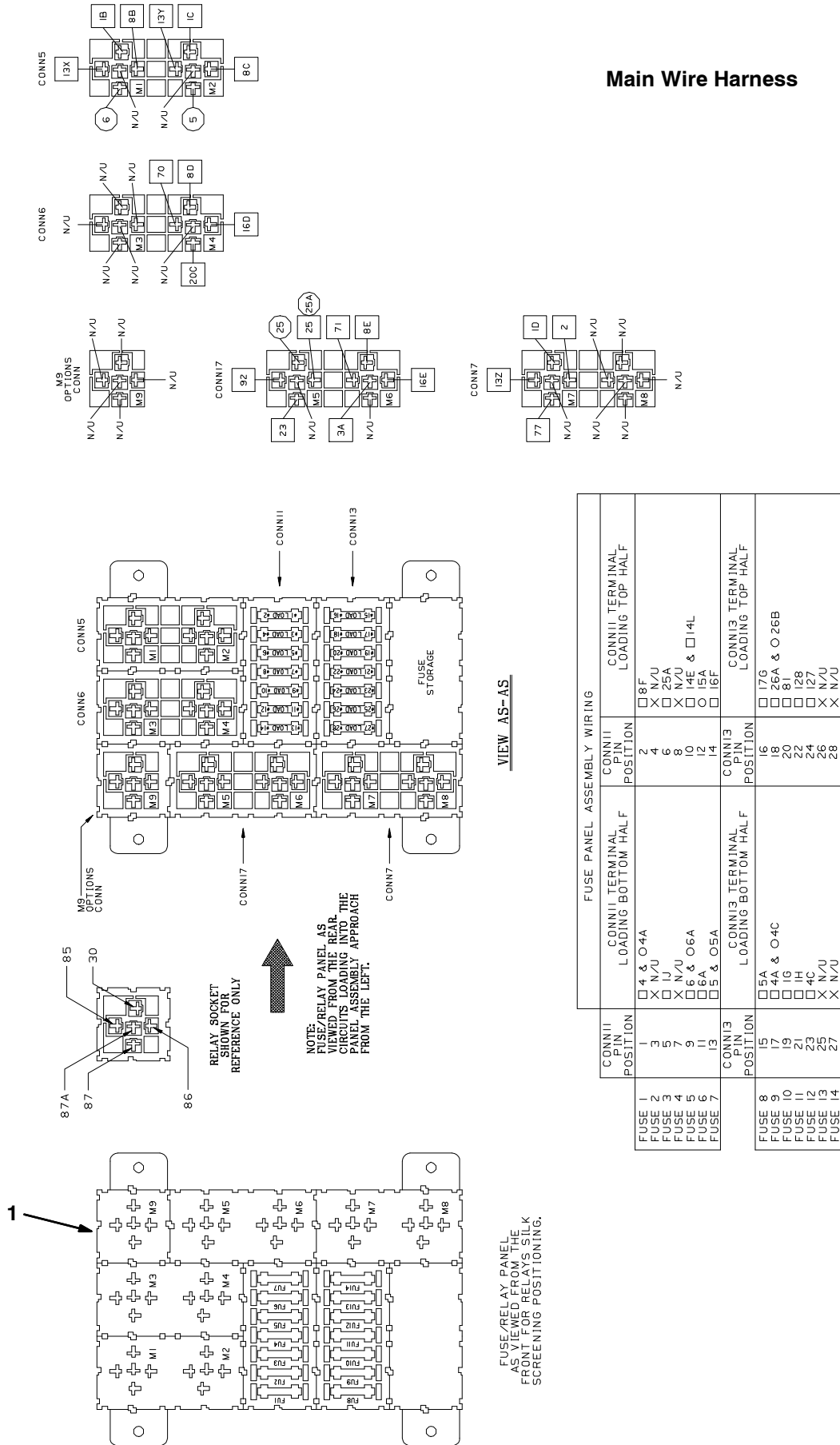


Fig. 72 - Electrical Wire Harnesses Group

Main Wire Harness



VIEW AS-AS

FUSE PANEL ASSEMBLY WIRING					
CONN11 PIN POSITION	CONN11 TERMINAL LOADING BOTTOM HALF	CONN11 PIN POSITION	CONN11 TERMINAL LOADING TOP HALF	CONN12 PIN POSITION	CONN12 TERMINAL LOADING TOP HALF
FUSE 1	4 & O4A	2	8F	1	17G
FUSE 2	X N/U	4	X 25A	3	X 26A & O 26B
FUSE 3	X U	6	X N/U	5	X 28
FUSE 4	X N/U	8	X N/U	7	X 29
FUSE 5	X 6 & O6A	10	X 14E & O 14L	9	X 30
FUSE 6	X 6A	12	X 15A	11	X 31
FUSE 7	X 15 & O5A	14	X 16F	13	X N/U
CONN13 PIN POSITION	CONN13 TERMINAL LOADING BOTTOM HALF	CONN13 PIN POSITION	CONN13 TERMINAL LOADING TOP HALF	CONN14 PIN POSITION	CONN14 TERMINAL LOADING TOP HALF
FUSE 8	X 5A & O4C	16	X 17G	1	X 17G
FUSE 9	X 4A & O4C	18	X 26A & O 26B	3	X 26A & O 26B
FUSE 10	X 19	20	X 28	5	X 28
FUSE 11	X 19	22	X 29	7	X 29
FUSE 12	X 4C	24	X 30	9	X 30
FUSE 13	X N/U	26	X N/U	11	X N/U
FUSE 14	X N/U	28	X N/U	13	X N/U

Fig. 72 - Electrical Wire Harnesses Group

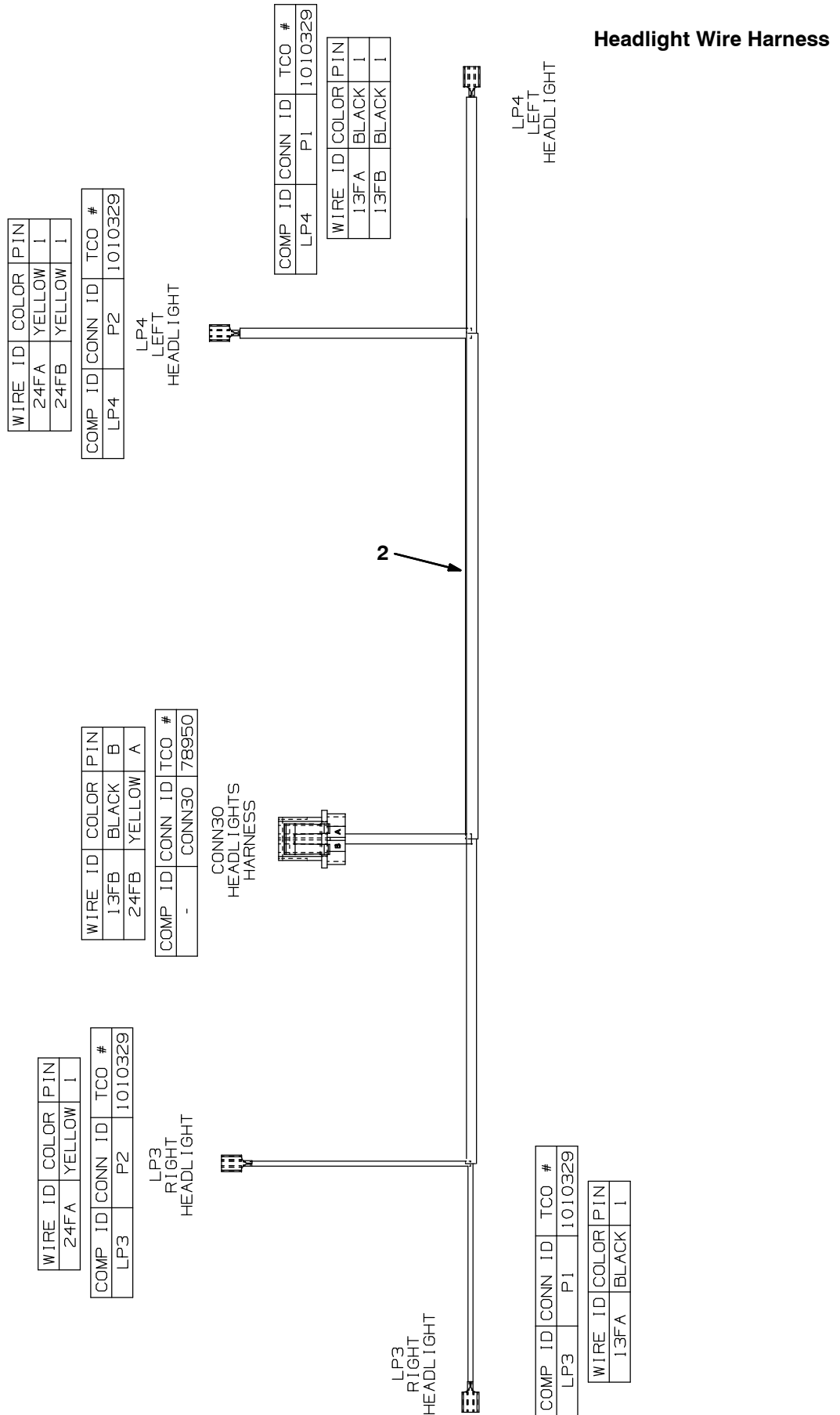
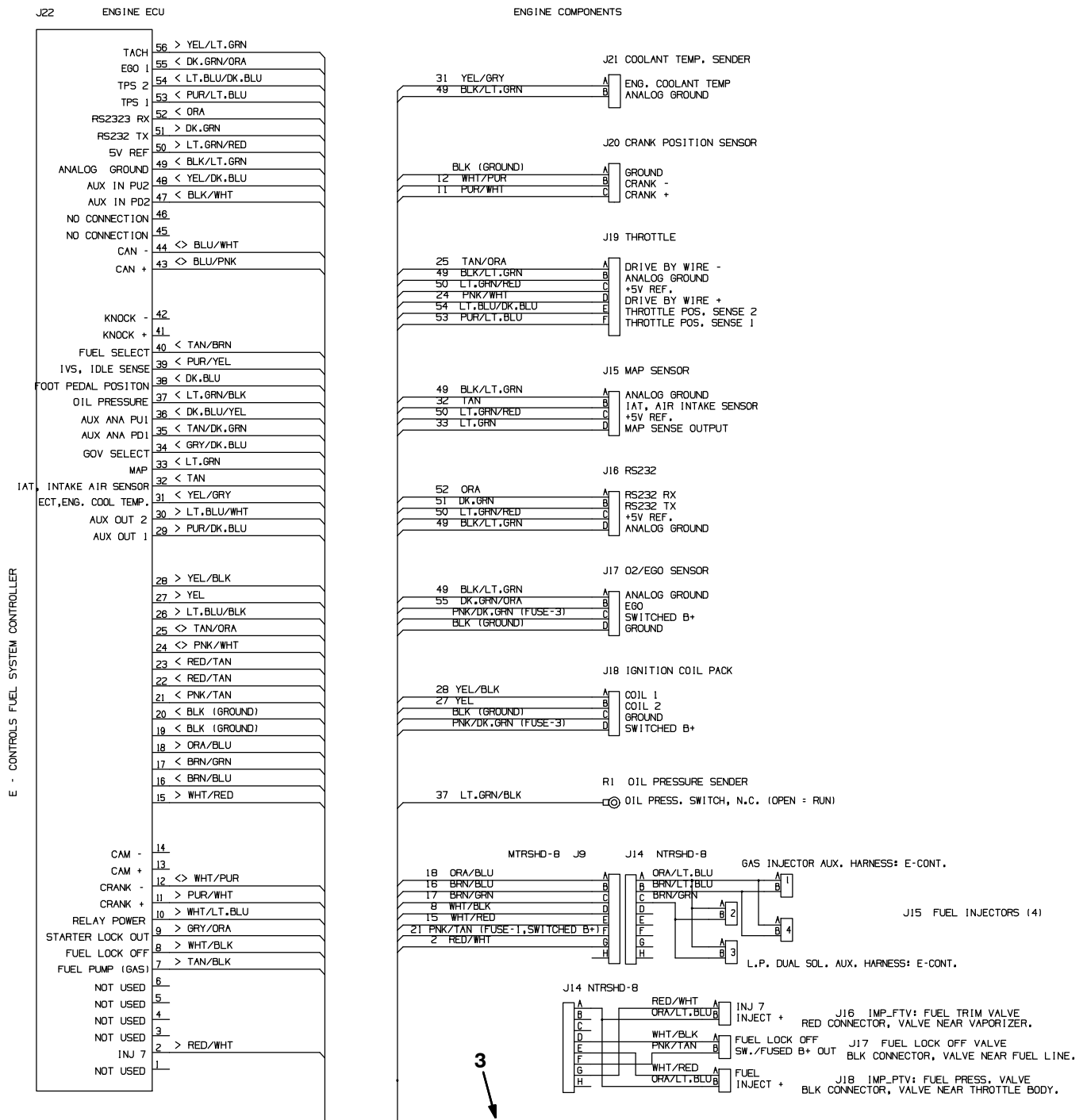


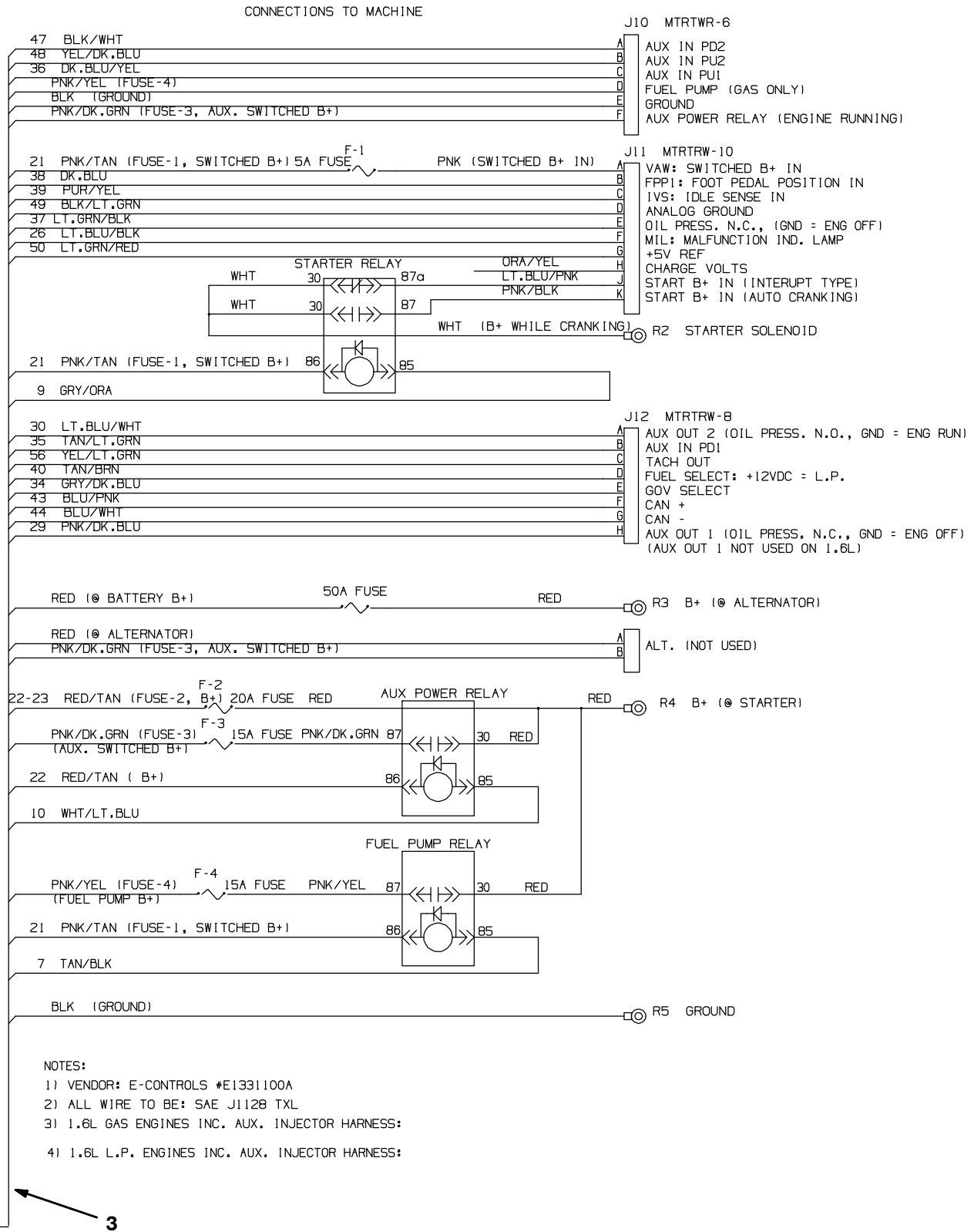
Fig. 72 - Electrical Wire Harnesses Group

Gasoline/LPG Engine Harness  
(000000-001499)



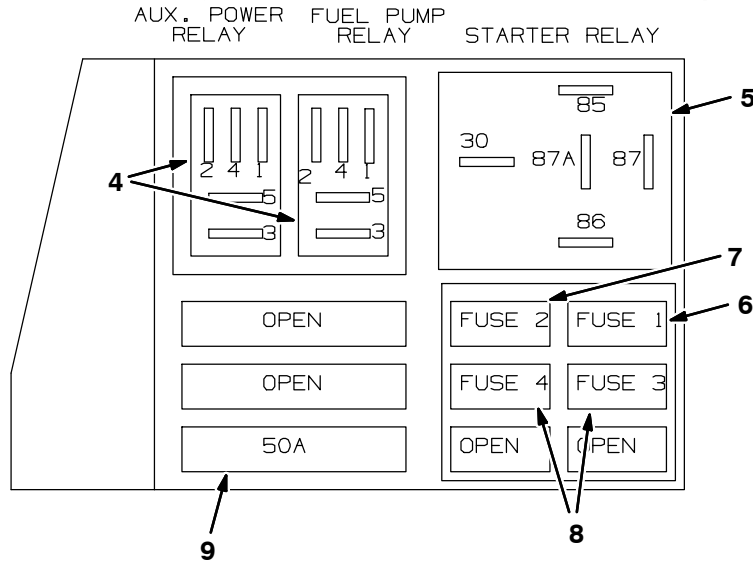
## Fig. 72 - Electrical Wire Harness Group

### Gasoline/LPG Engine Harness (000000-001499)

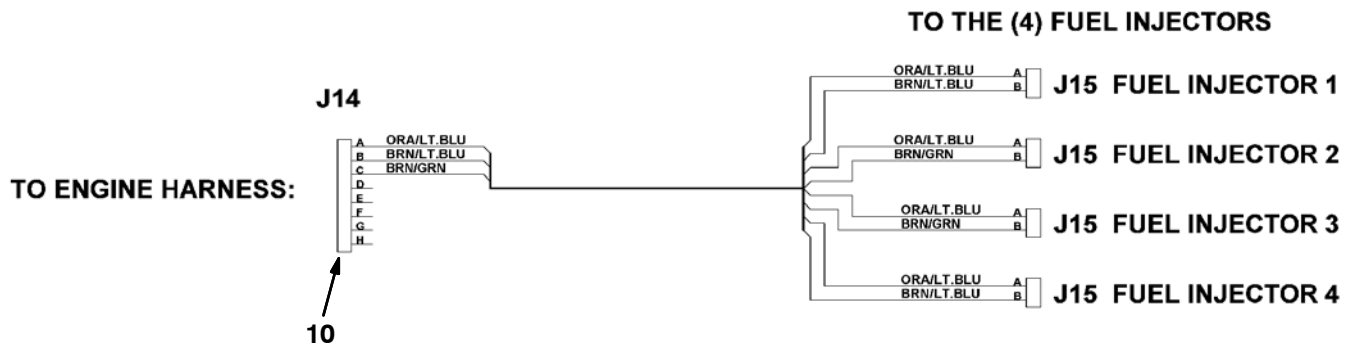




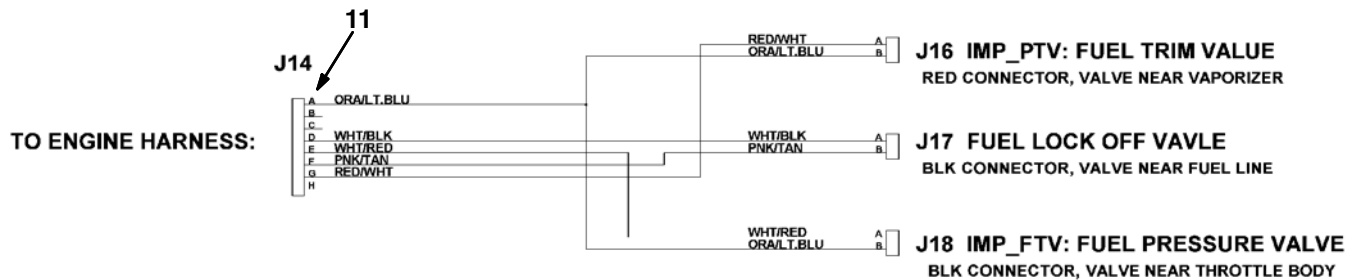
**Fig. 72 - Electrical Wire Harnesses Group**



**GAS INJECTOR AUX. HARNESS**

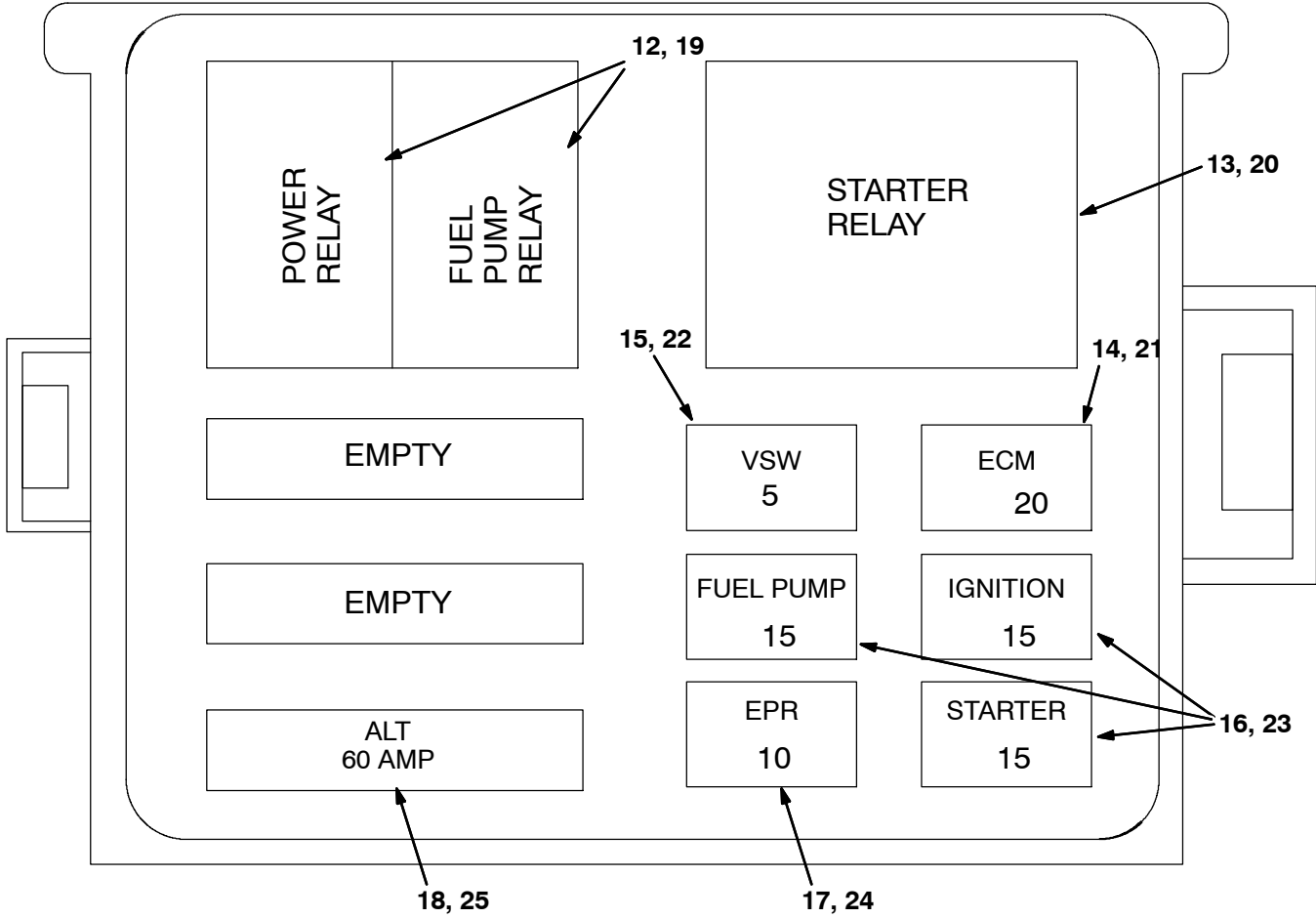


**L.P. DUAL SOL. AUX. HAENESS**



# STANDARD PARTS

Fig. 72 - Electrical Wire Harnesses Group  
Gasoline/LPG Engine Harness (001500- )



TO ENGINE HARNESS

COLOR	PIN
PINK	A
BLACK/RED	C
PINK/YELLOW	D
LT. BLUE/PINK	E
GREEN/YELLOW	G

TO ENGINE HARNESS

COLOR	PIN
GRAY/ORANGE	J
GRAY/DK. BLUE	K

Gasoline/LPG Engine  
Adapter Harness  
(001500- )

COLOR	PIN
BLACK	I

26

COLOR	PIN
BLUE	A
BLACK	B
PURPLE	C

TO MAIN HARNESS

COLOR	PIN
PINK	A
LT. BLUE/PINK	J
GREEN/YELLOW	F

TO MAIN HARNESS

COLOR	PIN
BLUE	A
GRAY/DK. BLUE	E
PURPLE	H

TO MAIN HARNESS

COLOR	PIN
GRAY/ORANGE	B
PINK/YELLOW	D
BLACK/RED	E

Fig. 72 - Electrical Wire Harnesses Group

Ref.	Part No.	Serial Number	Description	Qty.
	1	391957	(000000- ) Harness, Main [T20]	1
	2	1024141	(000000- ) Harness, Headlight [M20 And T20]	1
▽	3	1011018	(000000-001499 ) Harness, Eng [1.6l, Gm, E-cntrl]	1
▲	4	394916	(000000-001499 ) Relay, 12vdc, 20a, Spdt	2
▲	5	57804	(000000-001499 ) Relay, 12vdc, 40a, Spdt	1
▲	6	372235	(000000-001499 ) Fuse, 5 Amp, [Min-5]	1
▲	7	372237	(000000-001499 ) Fuse, 20 Amp, [Min-20]	1
▲	8	372236	(000000-001499 ) Fuse, 15 Amp, [Min-15]	2
▲	9	394921	(000000-001499 ) Fuse, 50amp	1
	10	1011019	(000000-001499 ) Harness, Injector, Gas [1.6l,Gm,E-cntrl]	1
	11	1011020	(000000-001499 ) Harness, Injector, Lpg [1.6l,Gm,E-cntrl]	1
▽		384997	(001500- ) Harness, Wire, Eng, Gas [Gm 1.6L]	1
▲	12	394916	(001500- ) Relay, 12vdc, 20a, Spdt	2
▲	13	57804	(001500- ) Relay, 12vdc, 40a, Spdt	1
▲	14	372237	(001500- ) Fuse, 20 Amp, [Min-20]	1
▲	15	372235	(001500- ) Fuse, 5 Amp, [Min-5]	1
▲	16	372236	(001500- ) Fuse, 15 Amp, [Min-15]	2
▲	17	384999	(001500- ) Fuse, 10 Amp	1
▲	18	384998	(001500- ) Fuse, 60 Amp	1
▽		384990	(001500- ) Harness, Wire, Eng, Lpg [Gm 1.6l]	1
▲	19	394916	(001500- ) Relay, 12vdc, 20a, Spdt	2
▲	20	57804	(001500- ) Relay, 12vdc, 40a, Spdt	1
▲	21	372237	(001500- ) Fuse, 20 Amp, [Min-20]	1
▲	22	372235	(001500- ) Fuse, 5 Amp, [Min-5]	1
▲	23	372236	(001500- ) Fuse, 15 Amp, [Min-15]	2
▲	24	384999	(001500- ) Fuse, 10 Amp	1
▲	25	384998	(001500- ) Fuse, 60 Amp	1
	26	1032216	(001500- ) Harness, Adapter	1

Fig. 73 - Label Group

**1** **WARNING** Machine emits toxic gases. Serious injury or death can result. Provide adequate ventilation.  
**AVERTISSEMENT** La machine produit des gaz toxiques. Cas gaz peuvent provoquer des blessures ou la mort. Veillez à ce que l'endroit soit bien aéré.  
**ADVERTENCIA** La máquina emite gases tóxicos. Pueden provocar lesiones graves o fatales. Asegúrese de que existe suficiente ventilación.

**2** **WARNING** Strong vacuum. Keep away from fan inlet when fan is running.  
**Not Used**  
**AVERTISSEMENT** Potente aspiración. Manténgase alejado de la entrada del ventilador cuando esté funcionando.

**3** **ES**

**4** **FaST**  
 Foam Scrubbing Technology

**5** **NFSI**  
 CERTIFIED

**6**

**WARNING** Raised hopper may fall. Engage hopper support pin.  
**AVERTISSEMENT** En position relevée, le bac à déchets peut retomber. Engagez la broche du support de bac à déchets.  
**ADVERTENCIA** La caja colectora elevada puede caer. Coloque el pasador de apoyo de la caja colectora.

**WARNING** Flammable materials or reactive metals can cause explosion or fire. Do not pick up.  
**AVERTISSEMENT** Les matériaux inflammables ou les métaux réactifs peuvent causer une explosion ou un incendie. Ne les ramassez pas.  
**ADVERTENCIA** Los materiales inflamables o metales reactivos pueden causar explosiones o incendios. No los recoja.

**WARNING** Moving belt and fan. Keep away.  
**AVERTISSEMENT** La courroie et le ventilateur sont en mouvement. Ne vous approchez pas.  
**ADVERTENCIA** Correa y ventilador en movimiento. Manténgase alejado.

**FOR SAFETY** Read manual before operating machine.  
**POUR VOTRE SECURITE** Lisez le manuel avant d'utiliser la machine.  
**PARA SEGURIDAD** Lea el manual antes de operar la máquina.

**WARNING** Lift arm pinch point. Stay clear of trigger lift arm.  
**AVERTISSEMENT** Attention au point d'articulation du bras d'élevage. Ne vous approchez pas des bras d'élevage de la trémie.  
**ADVERTENCIA** Punto de alineamiento del brazo elevador. No se acerque a los brazos elevadores de la caja colectora.

**WARNING** Burn hazard. Hot surface. Do NOT touch.  
**AVERTISSEMENT** Risque de brûlures. Surface chaude. Ne pas toucher.  
**ADVERTENCIA** Peligro de quemaduras. Superficie caliente. NO tocar.

**注意** 火傷のおそれあり。表面が熱くなっています。さわらないでください。

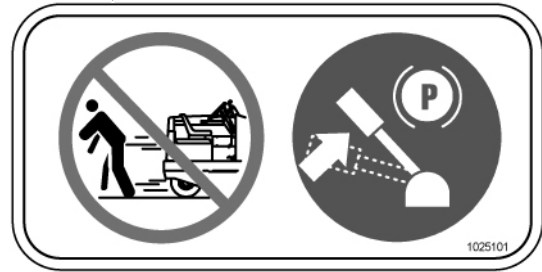
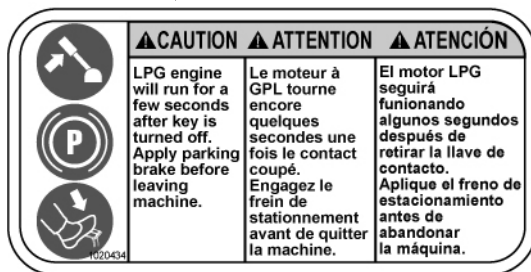
Fig. 73 - Label Group



7

8

9



M20 - G/LP

Ref.	Part No.	Serial Number	Description	Qty.
1	77221	(000000- )	Label Set, Info/Hzrd, Swpr / Scrbr	1
2	1017141	(000000- )	Label Set, Hi Temp	1
3	1027353	(000000- )	Label, Off-White, Es (Option)	3
4	1027372	(000000- )	Label, Off-White [Fast] (Option)	3
5	1015012	(000000- )	Label [Nfsi Certification]	1
6	1031017	(000000- )	Label Set, Brush Indicator & Removal	1
7	1032450	(000000- )	Label Set, Info/Hzrd, Swpr / Scrbr, Tj (Japan Only)	1
8	1025101	(000000- )	Label, Caution [Apply Parking Brake]	1
9	1020434	(000000- )	Label, Caution [Apply Parking Brake] (Japan Only)	1



# SECTION 3

Contents	Page
Fig. 1 - ES Pump Group	3-2
Fig. 2 - ES Tanks Group	3-4
Fig. 3 - Side Brush Motor Group	3-6
Fig. 4 - Side Brush Lift Group	3-8
Fig. 5 - Side Brush Solution Control Group	3-10
Fig. 6 - Side Brush Hydraulic Valve Group	3-12
Fig. 7 - Side Brush Hydraulic Hose Group	3-14
Fig. 8 - Fast Solution Pump Group (000000-001742)	3-16
Fig. 9 - Fast Air Pump and Detergent Group (000000-001742)	3-18
Fig. 10 - Fast Foam Filter Group, Cylindrical Scrub Head (000000-001742)	3-20
Fig. 11 - Fast Foam Filter Group, Cylindrical Scrub Head with Side Brush (000000-001742)	3-22
Fig. 12 - Fast Foam Filter Group, Disk Scrub Head (000000-001742)	3-24
Fig. 13 - Fast Foam Filter Group, Disk Scrub Head with Side Brush (000000-001742)	3-26
Fig. 14 - Fast Wire Harness Group (000000-001742)	3-28
Fig. 15 - FaST Pumps and Detergent Group (001743- )	3-30
Fig. 16 - FaST Solution Supply Group, Cylindrical Scrub Head (001743- )	3-32
Fig. 17 - FaST Solution Supply Group with Side Brush, Cylindrical Scrub Head (001743- )	3-34
Fig. 18 - FaST Solution Supply Group, Disk Scrub Head (001743- )	3-36
Fig. 19 - FaST Solution Supply Group with Side Brush, Disk Scrub Head (001743- )	3-38
Fig. 20 - Fast Wire Harness Group (001743- )	3-40

Contents	Page
Fig. 21 - Backup Alarm Kit	3-41
Fig. 22 - Light Kit, Flashing	3-42
Fig. 23 - Light Kit, Revolving	3-44
Fig. 24 - Light Kit, Flashing Overhead Guard	3-46
Fig. 25 - Light Kit, Revolving Overhead Guard	3-47
Fig. 26 - Overhead Guard Kit	3-48
Fig. 27 - Vacuum Wand Kit	3-50
Fig. 28 - Power Wand Hose Assembly	3-52
Fig. 29 - Power Wand Assembly	3-54
Fig. 30 - Power Wand Pump and Mount Group	3-56
Fig. 31 - Power Wand Pump and Mount Group with Spray Nozzle	3-58
Fig. 32 - Spray Nozzle Kit	3-60
Fig. 33 - Spray Nozzle Kit with Power Wand	3-62
Fig. 34 - Transport Kit	3-64
Fig. 35 - Squeegee Guard Kit	3-66
Fig. 36 - Heavy Duty Bumper Kit	3-68
Fig. 37 - Fire Extinguisher Kit	3-69
Fig. 38 - Documentation Group	3-70

Fig. 1 - ES Pump Group

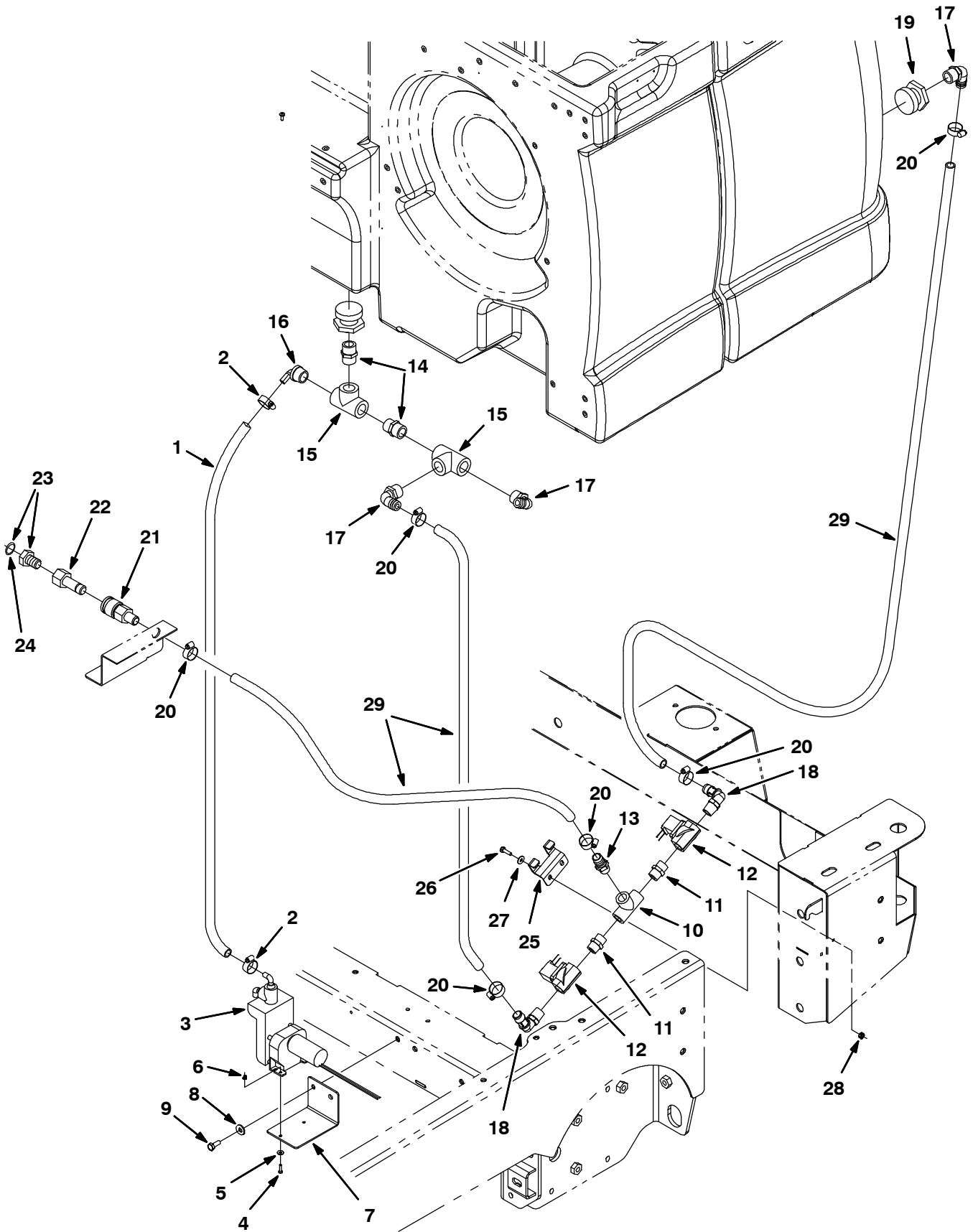
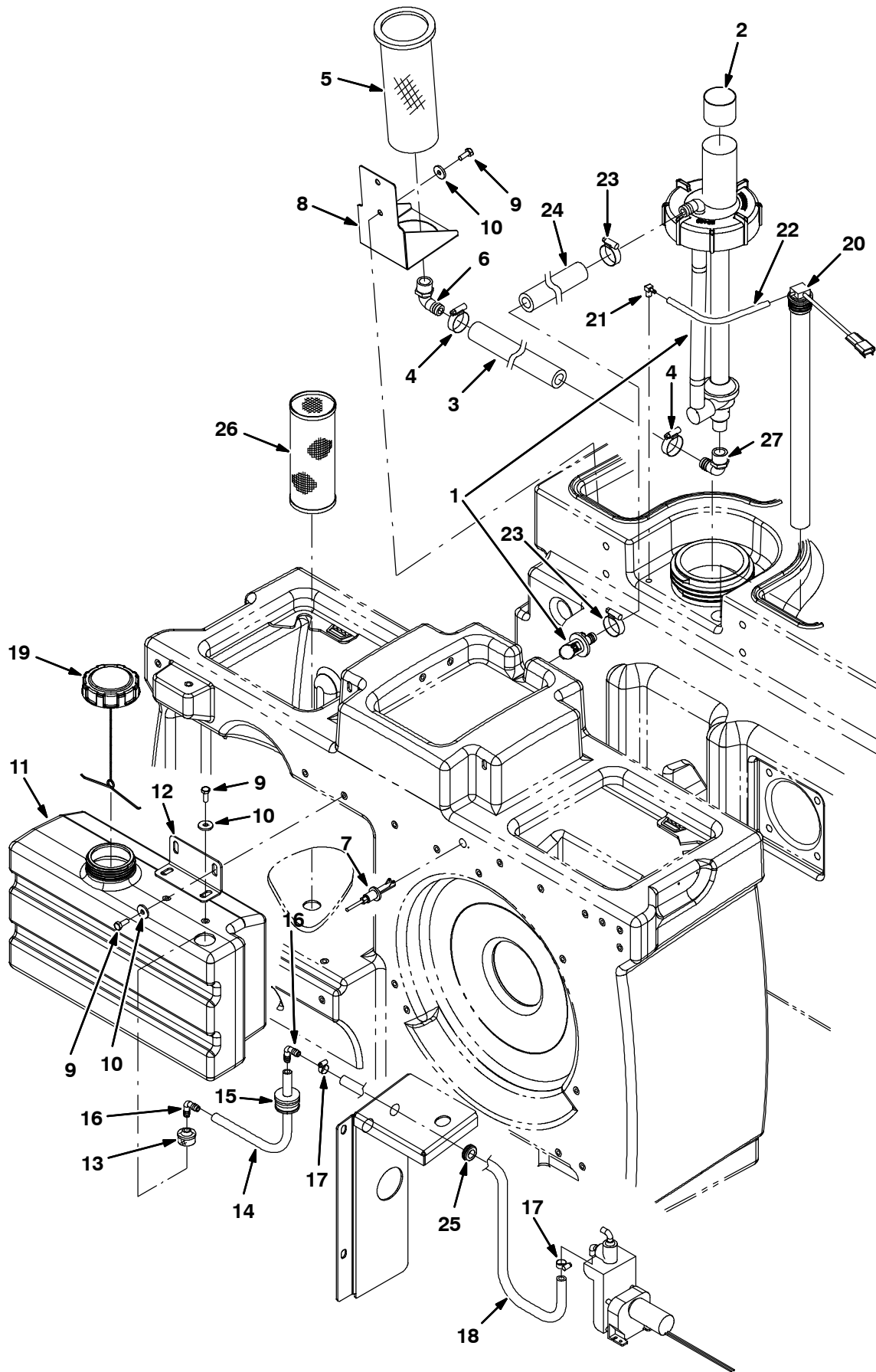




Fig. 1 - ES Pump Group

Ref.	Part No.	Serial Number	Description	Qty.	
1	41295	(000000-	) Hose, Pvc, Clr, 0.38id 0.56od 48.00l	1	
2	43844	(000000-	) Clamp, Hose, Wormdrive, 0.25-0.62d, .31w	2	
3	73260	(000000-	) Pump, Detgt, 14vdc, 150ml/Min 20psi (See Breakdown)	1	
4	24265	(000000-	) Screw, Pan, M4 X 0.7 X 16, Ss	2	
5	01683	(000000-	) Washer, Flat, #10, Ss	2	
6	33932	(000000-	) Nut, Hex, Lock, M4 X 0.7, NI, Ss	2	
7	1021325	(000000-	) Bracket, Mtg, Valve	1	
8	01685	(000000-	) Washer, Flat, 0.31, Ss	2	
9	09740	(000000-	) Screw, Hex, M8 X 1.25 X 20, Ss	2	
10	79497	(000000-	) Fitting, Plstc, Tee, Pf08/Pf08/Pf08	1	
11	86508	(000000-	) Fitting, Plstc, Str, Pm08/Pm08	2	
12	73433	(000000-	) Valve, Water, Solenoid, 12vdc 0.08pf	2	
13	78398	(000000-	) Fitting, Plstc, Str, Bm12/Pm08, Nyl	1	
14	24544	(000000-	) Fitting, Plstc, Str, Pm12/Pm12 1.60l	2	
15	42133A	(000000-	) Fitting, Plstc, Tee, Pf12/Pf12/Pf12	2	
16	79484	(000000-	) Fitting, Plstc, E90, Bm06/Pm12, Nyl	1	
17	14877	(000000-	) Fitting, Plstc, E90, Bm12/Pm12	3	
18	63244-2	(000000-	) Fitting, Plstc, E90, Bm12/Pm08	2	
19	377349	(000000-	) Fitting, Plstc, Pf12/Pf12, Bh	1	
20	63810	(000000-	) Clamp, Hose, Wormdrive, 0.56-1.06d, .56w	6	
21	24105	(000000-	) Fitting, Brs, Qdc, Bm12/Qf08	1	
22	33295	(000000-	) Fitting, Brs, Qdc, Pf08 [Parker Bh3f]	1	
▽	23	375322	(000000-	) Fitting Kit, Hose, Garden	1
▲	24	01316	(000000-	) Washer, Flat, 0.66b 1.00d .12, Rbr	1
	25	1016837	(000000-	) Bracket, Mtg, Valve	1
26	08716	(000000-	) Screw, Hex, M6 X 1.0 X 20, Ss	2	
27	01684	(000000-	) Washer, Flat, 0.25, Ss	2	
28	08712	(000000-	) Nut, Hex, Lock, M6 X 1.00, Ss, NI	2	
29	1015044	(000000-	) Hose, Afmkt, Pvc, Brd 0.75id 12ft	1	

Fig. 2 - ES Tanks Group



**Fig. 2 - ES Tanks Group**

<b>Ref.</b>	<b>Part No.</b>	<b>Serial Number</b>	<b>Description</b>	<b>Qty.</b>
1	1021210	(000000-	) Pump Assy, Column, Es (See Breakdown)	1
2	1028697	(000000-	) Sleeve, Rbr, 3.50b 3.58d 1.8l	1
3	1015033	(000000-	) Hose, Afmkt, Pvc, Brd 0.62id 01ft	1
4	63810	(000000-	) Clamp, Hose, Wormdrive, 0.56-1.06d, .56w	2
5	386652	(000000-	) Strainer, Soltn, 20 Mesh, Cyl 3.5d 9.5l	1
6	24543	(000000-	) Fitting, Plstc, E90, Bm12/Pf12	1
7	385685	(000000-	) Sensor, Level, Liq, 14vdc 01a .62-11	1
8	1019636	(000000-	) Bracket, Mtg, Strainer	1
9	09740	(000000-	) Screw, Hex, M8 X 1.25 X 20, Ss	6
10	1017218	(000000-	) Washer, Flat, 0.32b 1.00d .12, Ss	6
11	1022229	(000000-	) Tank, Detgt, Trimmed	1
12	1025159	(000000-	) Bracket, Mtg, Detgt And Spray Wand	1
13	20952	(000000-	) Screen, Pump	1
14	1014974	(000000-	) Hose, Afmkt, Pvc, Brd 0.38id 02ft	1
15	20944	(000000-	) Grommet, Pye, 0.37id, F/1.5h, .13 Matl	1
16	20951	(000000-	) Fitting, Plstc, E90, Bm06/Bm06	2
17	43844	(000000-	) Clamp, Hose, Wormdrive, 0.25-0.62d, .31w	2
18	41295	(000000-	) Hose, Pvc, Clr, 0.38id 0.56od 48.00l	1
19	1011885	(000000-	) Cap, Tank	1
20	1029497	(000000-	) Switch Assy, Press, 3.0, 19.5l Tube	1
21	32183	(000000-	) Fitting, Brs, E90, Pm02/Bm03	1
22	1031572	(000000-	) Hose, Afmkt, Vacuum, 0.16id 01ft	1
23	63810	(000000-	) Clamp, Hose, Wormdrive, 0.56-1.06d, .56w	2
24	1015033	(000000-	) Hose, Afmkt, Pvc, Brd 0.62ld, 01Ft, Clr	1
25	10632-2	(000000-	) Grommet, Rbr, 0.62id, F/0.9h, .12 Matl	1
26	1039019	(000000-	) Filter, Soltn, 020mesh, Pm12 3.2d 08.0l	1
27	14877	(000000-	) Fitting, Plstc, E90, Bm12/Pm12	1

Fig. 3 - Side Brush Motor Group

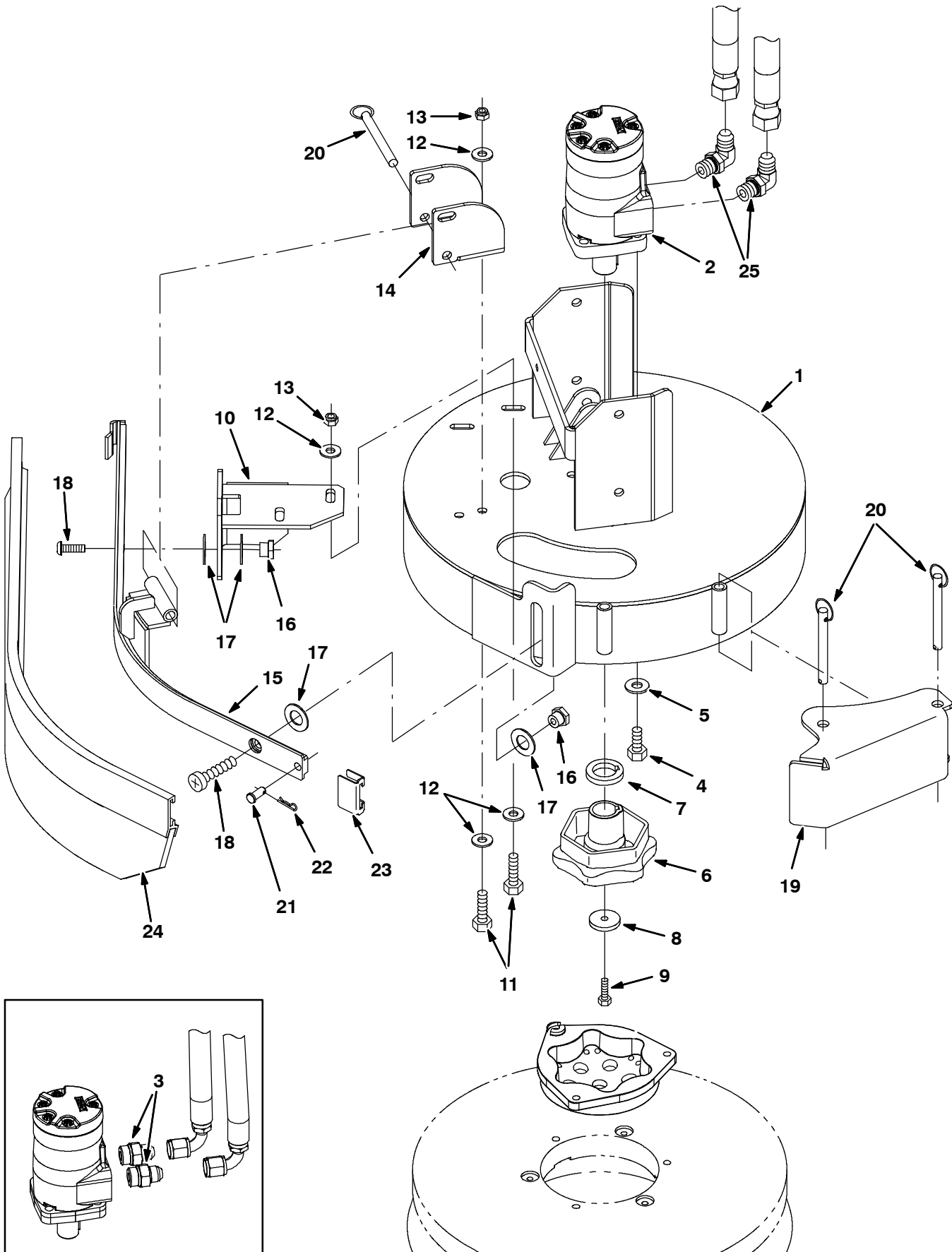


Fig. 3 - Side Brush Motor Group

Ref.	Part No.	Serial Number	Description	Qty.
1	1021794	(000000-	) Bracket Wldt, Mtg, Side Brush	1
2	1029379	(000000-	) Motor, Hyd, Gear, Int 08.9 Bi-Dir 2500 (See Breakdown)	1
3	56692	(000000-001037	) Fitting, Hyd, Str, Jm08/Om10	2
4	01762	(000000-	) Screw, Hex, .38-16 X 0.75, NI	4
5	32492	(000000-	) Washer, Flat, 0.38 Std	4
6	1042968	(000000-	) Hub, Drive, Brush, Disk, 1.00b [6t]	1
7	25611	(000000-	) Spacer, Hub, Keyed	1
8	19191	(000000-	) Spacer	1
9	25046	(000000-	) Screw, Hex, .25-20 X 1.00, 5	1
10	1022135	(000000-	) Bracket, Mtg, Sqge	1
11	09010	(000000-	) Screw, Hex, M8 X 1.25 X 25, Ss	4
12	01685	(000000-	) Washer, Flat, 0.31, Ss	8
13	08713	(000000-	) Nut, Hex, Lock, M8 X 1.25, NI, Ss	4
14	1022188	(000000-	) Bar, Retainer	1
15	1022111	(000000-	) Frame Wldt, Sqge, Side Brush	1
16	1022302	(000000-	) Nut, T, M8 X 1.25 X 14.5od X 9.5l	2
17	64425	(000000-	) Washer, Thrust, 0.61b 1.25d .06, Fgl	4
18	223470	(000000-	) Screw, Btn, M8 X 1.25 X 25, Ss	2
19	1022260	(000000-	) Bumper Wldt, Brush, Side	1
20	369359	(000000-	) Pin, Hitch, .375d X 3.12l, PI	3
21	46800	(000000-	) Pin, Clevis, 0.31d X 0.75l	1
22	08179	(000000-	) Pin, Cotter, .094 X 1.00	1
23	86759	(000000-	) Retainer, Sqge	1
24	1025005	(000000-	) Squeegee Assy, Sba, Linatex	1
24	1027716	(000000-	) Squeegee Assy, Sba, Ure	1
25	56821	(001038-	) Fitting, Hyd, E90, Jm08/Om10	1

Fig. 4 - Side Brush Lift Group

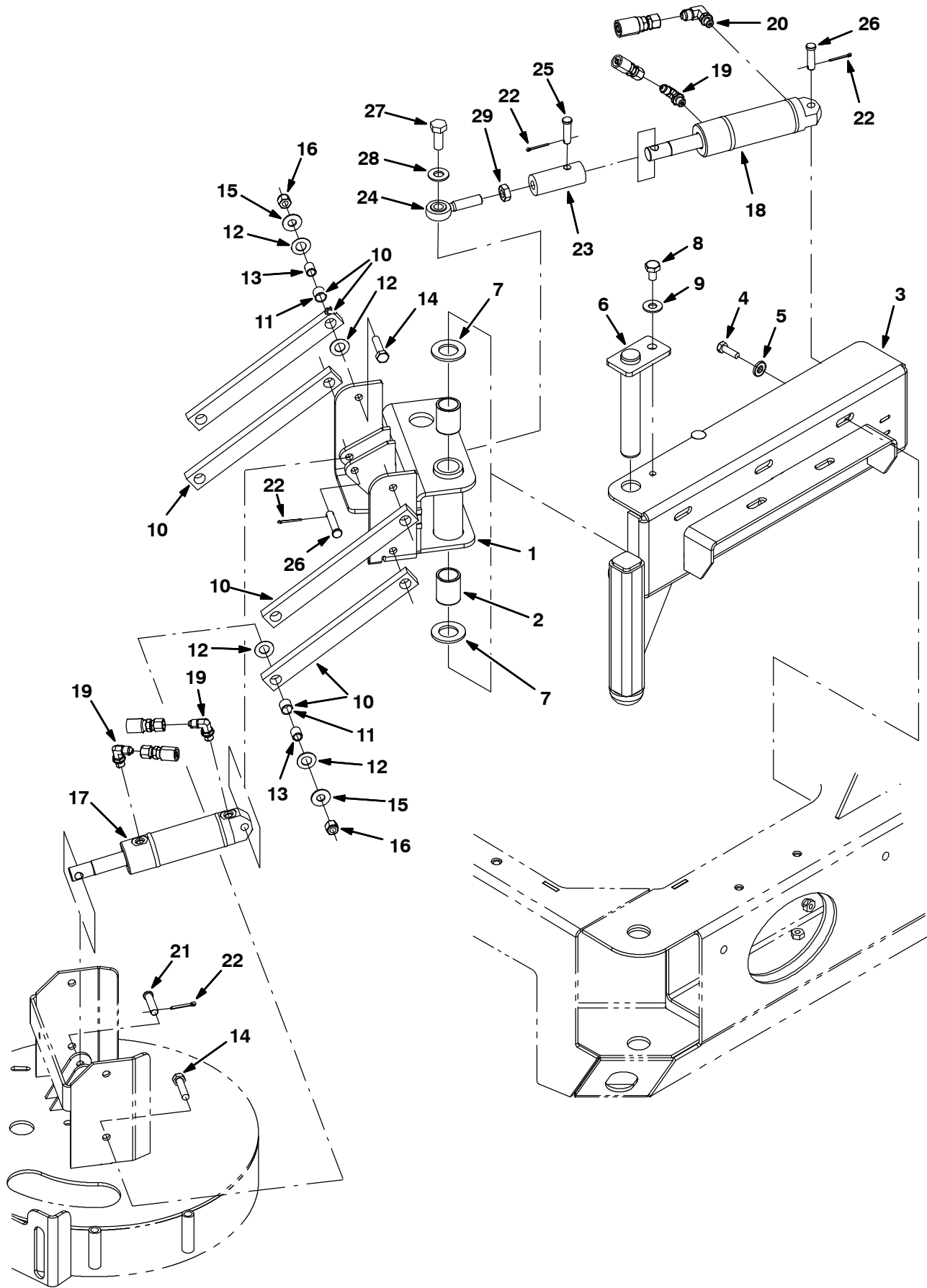


Fig. 4 - Side Brush Lift Group

Ref.	Part No.	Serial Number	Description	Qty.
1	1021439	(000000-	) Pivot Wldt, Brush, Side	1
2	71868	(000000-	) Bushing, Sleeve, 1.00b 1.13d 1.50l, Fgl	2
3	1021473	(000000-	) Channel Wldt, Pivot	1
4	09010	(000000-	) Screw, Hex, M8 X 1.25 X 25, Ss	5
5	41186	(000000-	) Washer, Flat, Belleville, .31	5
6	1021617	(000000-	) Pin Wldt	1
7	71869	(000000-	) Washer, Thrust, 1.00b 1.75d 0.13w, Fbr	2
8	16735	(000000-	) Screw, Hex, M8 X 1.25 X 16, 8.8	1
9	32491	(000000-	) Washer, Flat, 0.31, Std	1
▽	10	63175-1	(000000-) Arm, Link	4
▲	11	63233	(000000-) Bushing, Sleeve, 0.50b 0.59d 0.50l, Bnz	2
	12	59633	(000000-) Bearing, Thrust, 0.53b 1.00d 0.03w	16
	13	1027926	(000000-) Sleeve, P/M, 0.37b 0.50d 0.6l [430ss]	8
	14	36845	(000000-) Screw, Hex, .38-16 X 1.50, Ss	8
	15	01685	(000000-) Washer, Flat, 0.31, Ss	8
	16	59156	(000000-) Nut, Hex, Lock, .38-16, Ni, Ss	8
	17	1038137	(000000-) Cylinder, Hyd, 1.5b 07.8l 02.80strk 2500	1
	18	1038115	(000000-) Cylinder, Hyd, 1.5b 07.8l 02.75strk 2500	1
	19	77097	(000000-) Fitting, Hyd, E90, Jm04/Om04	3
	20	77098	(000000-) Fitting, Hyd, E90, Jm06/Om04	1
	21	29558	(000000-) Pin, Clevis, 0.37d X 1.50l	1
	22	08179	(000000-) Pin, Cotter, .094 X 1.00	4
	23	1021564	(000000-) Adapter, Rod-End, Side Brush	1
	24	71874	(000000-) Rod-End, .50-20rh Mal 0.50b	1
	25	29557	(000000-) Pin, Clevis, 0.37d X 1.31l	1
	26	17461	(000000-) Pin, Clevis, 0.37d X 1.75l	2
	27	41346	(000000-) Screw, Hex, M12 X 1.75 X 30, 8.8	1
	28	32486	(000000-) Washer, Flat, 0.50 Sae	1
	29	48985	(000000-) Nut, Hex, Jam, .50-20	1

Fig. 5 - Side Brush Solution Control Group

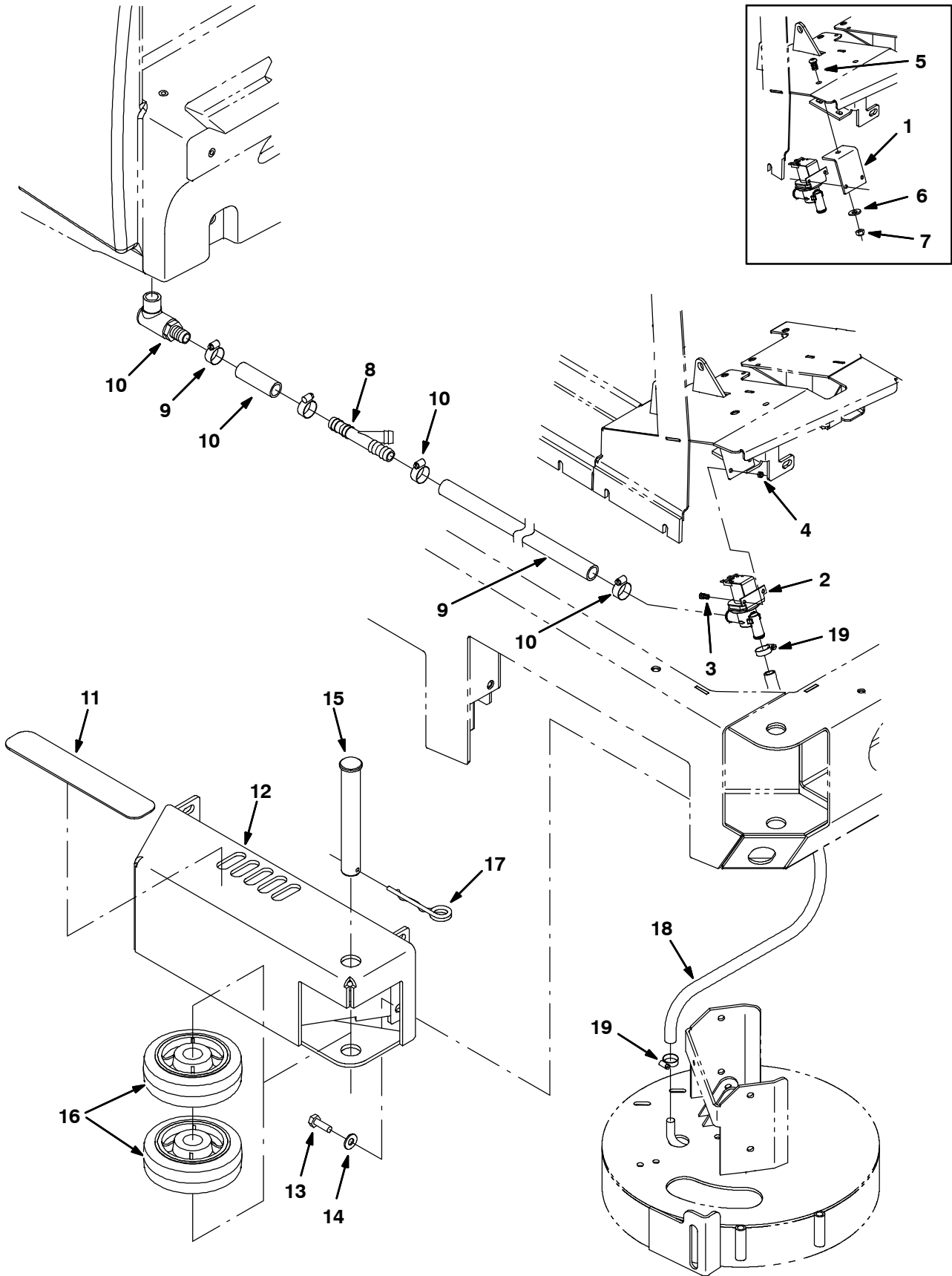
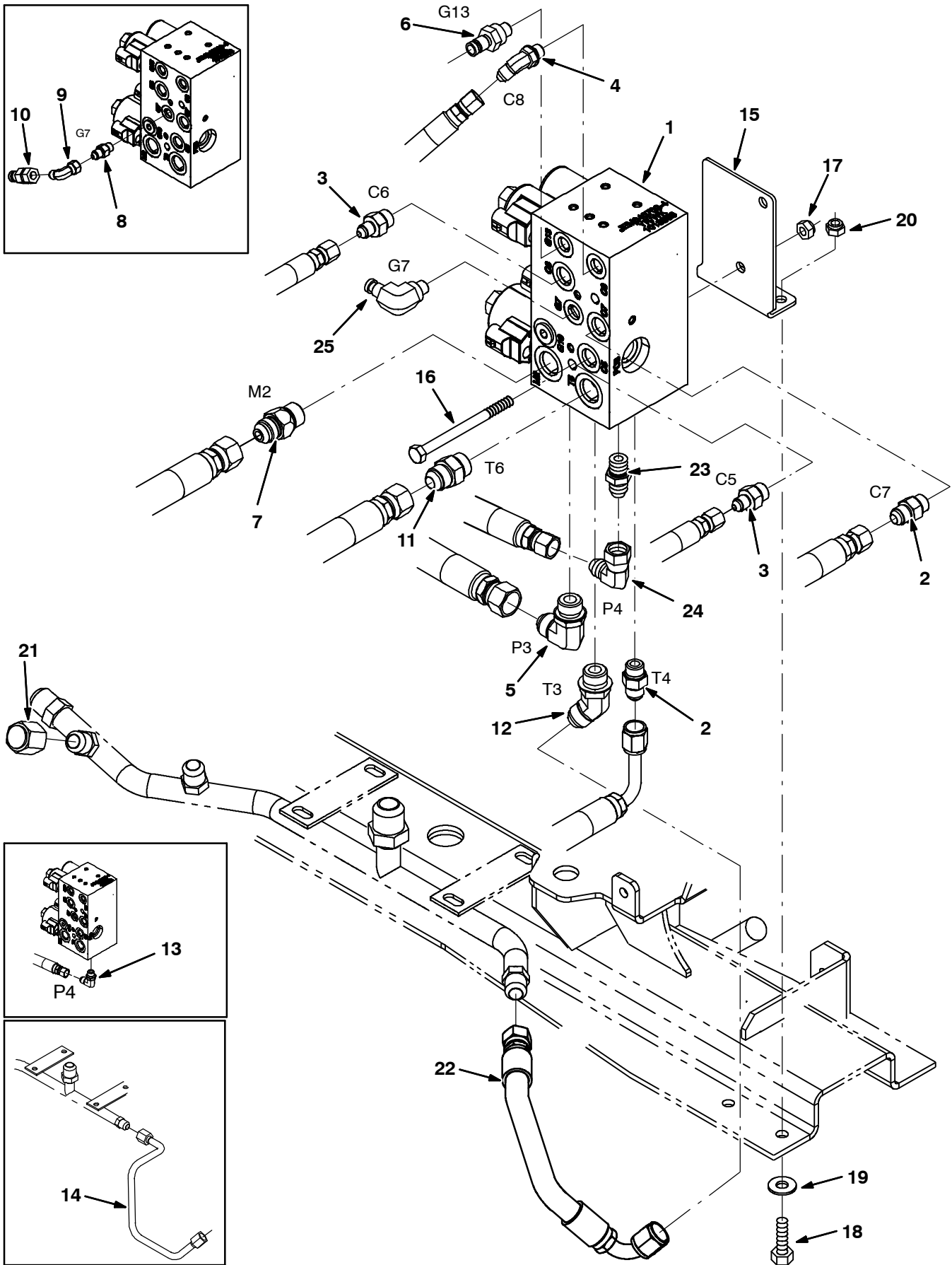




Fig. 5 - Side Brush Solution Control Group

Ref.	Part No.	Serial Number	Description	Qty.
1	1023667	(000000-001602 )	Angle, Mtg, Valve	1
2	1022106	(000000-	Valve Assy, Water, Solenoid, 12vdc	1
3	09738	(000000-	Screw, Hex, M5 X 0.8 X 12, Ss	2
4	09739	(000000-	Nut, Hex, Lock, M5 X 0.8, NI, Ss	2
5	17284	(000000-001602 )	Screw, Btn, M8 X 1.25 X 16, Ss	1
6	32491	(000000-001602 )	Washer, Flat, 0.31, Std	1
7	08713	(000000-001602 )	Nut, Hex, Lock, M8 X 1.25, NI, Ss	1
8	393255	(000000-	Fitting, Plstc, Tee, Bm12/Bm12/Bm12	1
9	1015045	(000000-	Hose, Afmkt, Pvc, Brd 0.75id 08ft	1
10	63810	(000000-	Clamp, Hose, Wormdrive, 0.56-1.06d, .56w	4
11	82839	(000000-	Tread, Non-Skid, 02.2w 11.5l	1
12	1022318	(000000-	Guard Wldt, Brush, Side	1
13	12317	(000000-	Screw, Hex, M10 X 1.5 X 30, Ss	4
14	01686	(000000-	Washer, Flat, 0.44b 1.00d .08, Ss	4
15	1017672	(000000-	Pin, Clevis, 30mmd X 200mml	1
16	1021047	(000000-	Wheel, 06.0d 2.00w 1.19b, Gray Rbr	2
17	761490	(000000-	Pin, Cotter, Hair, Dbl	1
18	50178	(000000-	Hose, Pvc, Clr, 0.50id 0.69od 26.00l	1
19	54333	(000000-	Clamp, Hose, Wormdrive, 0.31-0.88d, .31w	2

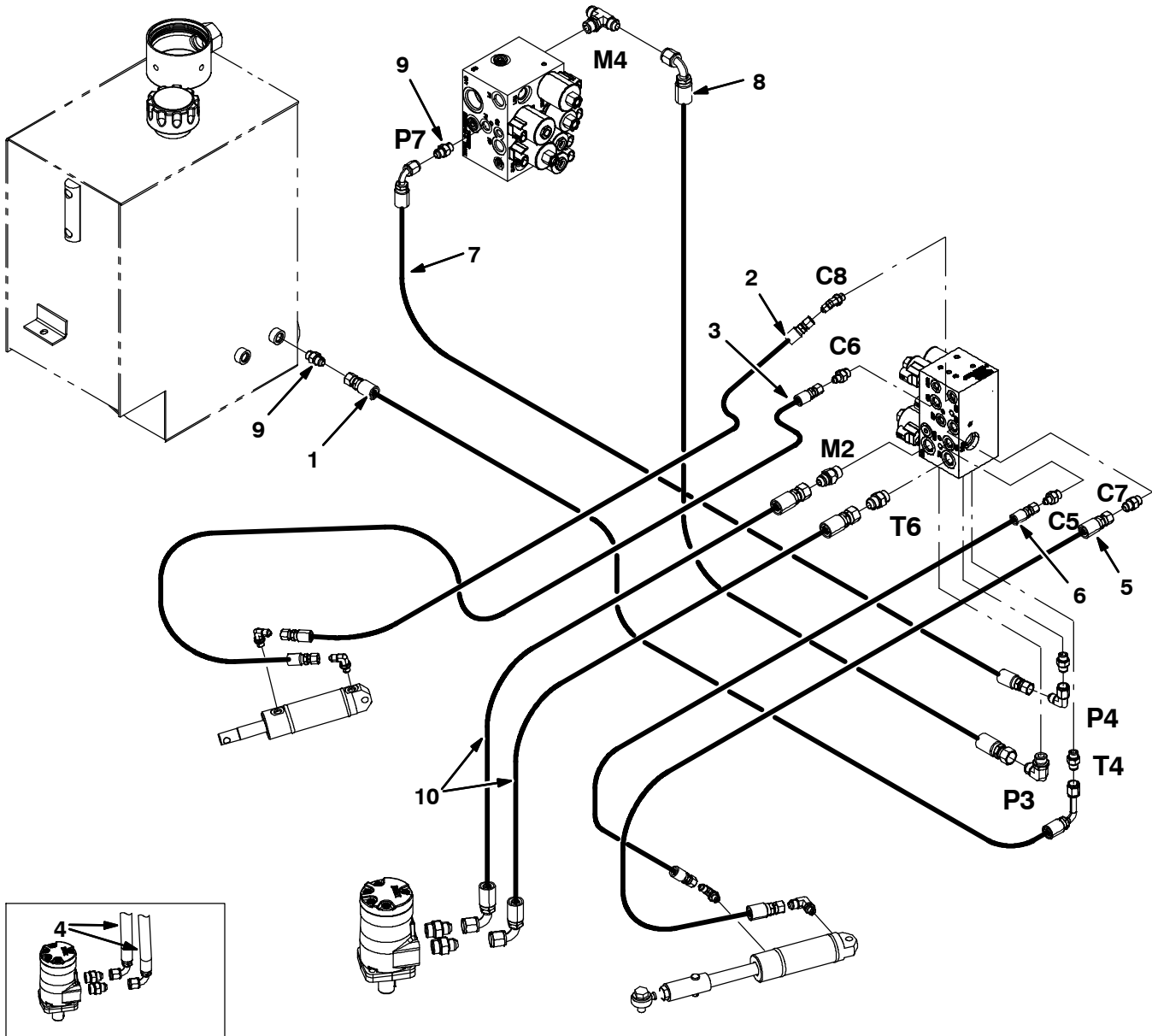
**Fig. 6 - Side Brush Hydraulic Valve Group**



**Fig. 6 - Side Brush Hydraulic Valve Group**

<b>Ref.</b>	<b>Part No.</b>	<b>Serial Number</b>	<b>Description</b>	<b>Qty.</b>
1	1018938	(000000-001503 )	Valve, Cntrl, Hyd [M20 And T20] (See Breakdown)	1
1	1037805	(001504- )	Valve, Hyd, Solenoid 12vdc 3000psi (See Breakdown)	1
2	56690	(000000- )	Fitting, Hyd, Str, Jm06/Om06	2
3	55685	(000000- )	Fitting, Hyd, Str, Jm04/Om06	2
4	34359	(000000- )	Fitting, Hyd, E45, Jm04/Om04	1
5	44868	(000000- )	Fitting, Hyd, E90, Jm08/Om08	1
6	395973	(000000- )	Fitting, Hyd, Str, Om04/Qm04	1
7	1026119	(000000- )	Valve, Hyd, Check, Jm08/Om08 5000psi	1
8	55586	(000000-002049 )	Fitting, Hyd, Str, Jm04/Om04	1
9	39210	(000000-002049 )	Fitting, Hyd, E90, Jf04/Jm04	1
10	396476	(000000-002049 )	Fitting, Hyd, Str, Jf04/Qm04	1
11	44869	(000000- )	Fitting, Hyd, Str, Jm08/Om08	1
12	42226	(000000- )	Fitting, Hyd, E45, Jm08/Om08	1
13	56820	(000000-001503 )	Fitting, Hyd, E90, Jm06/Om06	1
14	1025405	(000000-001040 )	Tube, Hyd, 08 Jf08/Jf08	1
15	1045272	(000000- )	Bracket, Valve, Sba [M20 And T20]	1
16	06959	(000000- )	Screw, Hex, M8 X 1.25 X 100, 8.8	2
17	08709	(000000- )	Nut, Hex, Lock, M8 X 1.25, NI	2
18	09010	(000000- )	Screw, Hex, M8 X 1.25 X 25, Ss	2
19	32491	(000000- )	Washer, Flat, 0.31, Std	2
20	08713	(000000- )	Nut, Hex, Lock, M8 X 1.25, NI, Ss	2
21	60090	(000000- )	Fitting, Hyd, Cap, Jf08	1
22	1037011	(001041- )	Hose, Hyd, Tc08, Jf08str/Jf08e90, 012.0	1
23	56690	(001504- )	Fitting, Hyd, Str, Jm06/Om06	1
24	47504	(001504- )	Fitting, Hyd, E90, Jf06/Jm06	1
25	395974	(002050- )	Fitting, Hyd, E90, Om04/Qm04	1

Fig. 7 - Side Brush Hydraulic Hose Group



**Fig. 7 - Side Brush Hydraulic Hose Group**

<b>Ref.</b>	<b>Part No.</b>	<b>Serial Number</b>	<b>Description</b>	<b>Qty.</b>
1	361047	(000000-	) Hose, Hyd, Med06, Jf06e90/Jf06str,038.0	1
2	1023485	(000000-	) Hose, Hyd, Tc06, Jf06str/Jf06str, 033.0	1
3	1025990	(000000-	) Hose, Hyd, Tc04, Jf04str /Jf04str, 39.0	1
4	1023486	(000000-001037	) Hose, Hyd, Tc08, Jf08e90/Jf08str, 034.0	2
5	1025991	(000000-	) Hose, Hyd, Tc06, Jf06str /Jf06str, 23.0	1
6	1025992	(000000-	) Hose, Hyd, Tc04, Jf04str /Jf04str, 20.0	1
7	1025445	(000000-	) Hose, Hyd, Tc06, Jf06str /Jf06e90, 74.0	1
8	1028270	(000000-	) Hose, Hyd, Tc08, Jf08e90/Jf08str, 084.0	1
9	56690	(000000-	) Fitting, Hyd, Str, Jm06/Om06	2
10	1036965	(001038-	) Hose, Hyd, Tc08, Jf08Str/Jf08Str, 034.0	2

**Fig. 8 - Fast Solution Pump Group (000000-001742)**

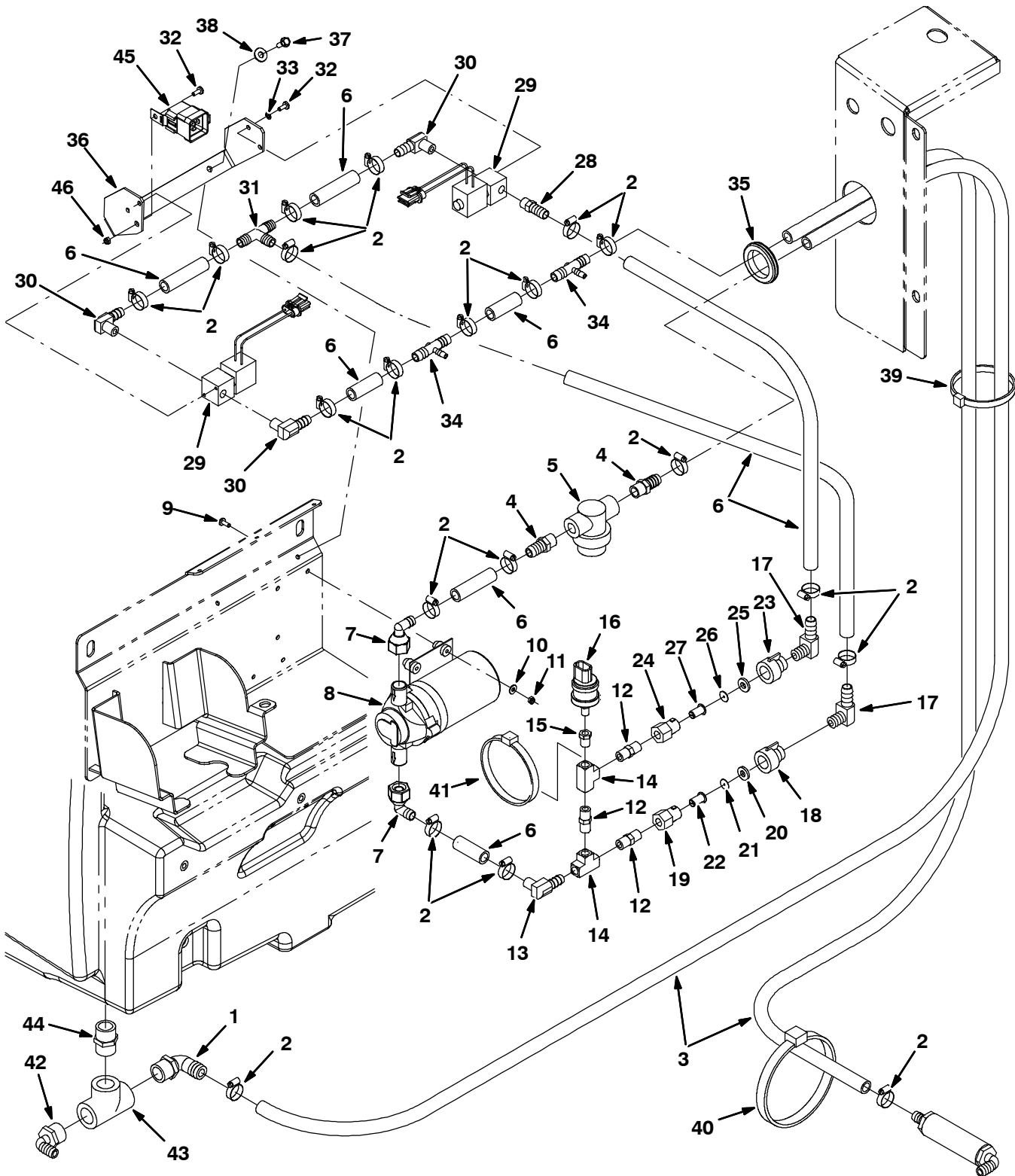
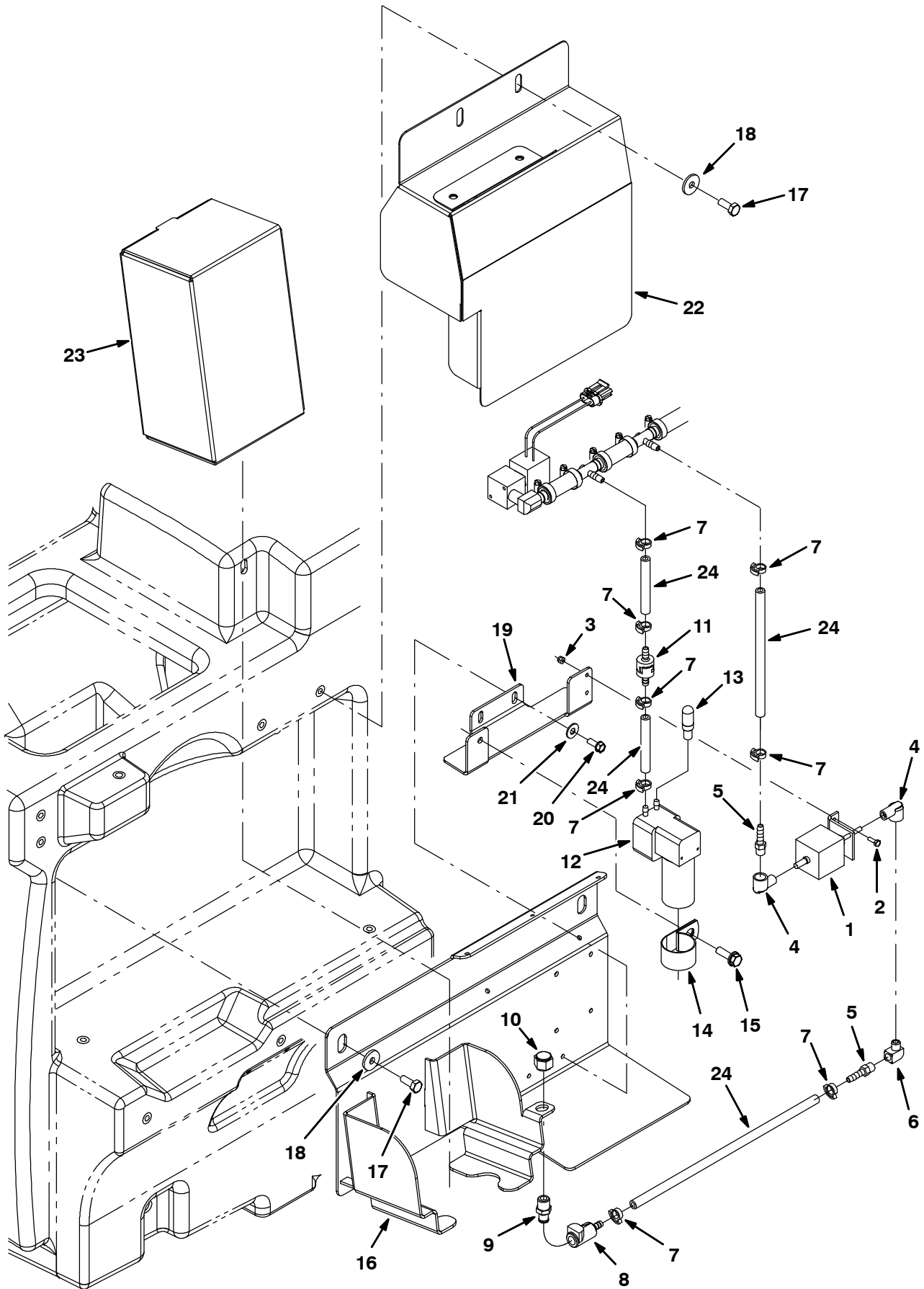


Fig. 8 - Fast Solution Pump Group (000000-001742)

Ref.	Part No.	Serial Number	Description	Qty.	
1	1005552	(000000-001742 )	Fitting, Plstc, E90, Bm08/Pm12, Nyl	1	
2	54333	(000000-001742 )	Clamp, Hose, Wormdrive, 0.31-0.88d, .31w	1	
3	1011412	(000000-001742 )	Hose, Afmkt, Pvc, Brd 0.50id 08ft	1	
4	64743	(000000-001742 )	Fitting, Plstc, Str, Bm08/Pm06	2	
5	1005302	(000000-001742 )	Filter, In-Line, Pf06/Pf06, 80 Mesh	1	
6	1006401	(000000-001742 )	Hose, Afmkt, Pvc, Brd 0.50id 03ft	1	
7	1018499	(000000-001742 )	Fitting, Plstc, E90, Bm08/Pf08s, Swivel	2	
8	1030878	(000000-001742 )	Pump, Soltn, Ele, 12vdc [W/O Chk Valve]	1	
9	17185	(000000-001742 )	Screw, Pan, M5 X 0.8 X 40, Ss	4	
10	01683	(000000-001742 )	Washer, Flat, #10, Ss	4	
11	09739	(000000-001742 )	Nut, Hex, Lock, M5 X 0.8, NI, Ss	4	
12	398468	(000000-001742 )	Fitting, Brs, Str, Pm04/Pm04	3	
13	1010836	(000000-001742 )	Fitting, Brs, E90, Bm08/Pm04	1	
14	398474	(000000-001742 )	Fitting, Brs, Tee, Pf04/Pf04/Pf04	2	
15	150100	(000000-001742 )	Fitting, Brs, Str, Pf02/Pm04	1	
16	1028582	(000000-001742 )	Switch, Press, 10psi, Spst	1	
17	1010836	(000000-001742 )	Fitting, Brs, E90, Bm08/Pm04	2	
▽	1030864	(000000-001742 )	Fitting Assy, Orifice, 0.070b, Pf04/Pf04	1	
▲	18	1005506	(000000-001742 )	Fitting, Plstc, Cap, Spray, Pf04	1
▲	19	1005507	(000000-001742 )	Fitting, Plstc, Body, Spray, Pf04	1
▲	20	1005508	(000000-001742 )	Washer, Flat, 0.34b 0.75d .12 [Viton]	1
▲	21	1018883	(000000-001742 )	Plate, Orifice, 0.070id	1
▲	22	1006447	(000000-001742 )	Vr, Filter, Screen, 50 Mesh .59d .8l Ss	1
▽	1030863	(000000-001742 )	Fitting Assy, Orifice, 0.093b, Pf04/Pf04	1	
▲	23	1005506	(000000-001742 )	Fitting, Plstc, Cap, Spray, Pf04	1
▲	24	1005507	(000000-001742 )	Fitting, Plstc, Body, Spray, Pf04	1
▲	25	1005508	(000000-001742 )	Washer, Flat, 0.34b 0.75d .12 [Viton]	1
▲	26	1018884	(000000-001742 )	Plate, Orifice, 0.093id	1
▲	27	1006447	(000000-001742 )	Vr, Filter, Screen, 50 Mesh .59d .8l Ss	1
28	762249	(000000-001742 )	Fitting, Brs, Str, Bm08/Pm04	1	
29	1018098	(000000-001742 )	Valve, Water, 12vdc, 6.0mm, 04pf	2	
30	1010836	(000000-001742 )	Fitting, Brs, E90, Bm08/Pm04	3	
31	63245-1	(000000-001742 )	Fitting, Plstc, Tee, Bm08/Bm08/Bm08	1	
32	09200	(000000-001742 )	Screw, Pan, M5 X 0.8 X 12, Ss	5	
33	07514	(000000-001742 )	Washer, Lock, Int, #10, Ss	4	
34	1010684	(000000-001742 )	Fitting, Plstc, Tee, Bm04/Bm08/Bm08, Br	2	
35	10632-19	(000000-001742 )	Grommet, Rbr, 2.13id, F/2.5h, .12 Matl	1	
36	1026074	(000000-001742 )	Plate, Hsng [Fast]	1	
37	361339	(000000-001742 )	Screw, Hex, M6 X 1.0 X 16, Fmg	4	
38	32490	(000000-001742 )	Washer, Flat, 0.25 Std	4	
39	49266	(000000-001742 )	Tie, Cable, Nyl, 07.3l .19w 1.8 Max D	1	
40	763116	(000000-001742 )	Tie, Cable, Nyl, 15.3l . W 4.5 Max D	1	
41	763114	(000000-001742 )	Tie, Cable, 11.3l, 2.75d Max	1	
42	14877	(000000-001742 )	Fitting, Plstc, E90, Bm12/Pm12	1	
43	42133A	(000000-001742 )	Fitting, Plstc, Tee, Pf12/Pf12/Pf12	1	
44	24544	(000000-001742 )	Fitting, Plstc, Str, Pm12/Pm12 1.60l	1	
45	56186	(000000-001742 )	Relay, 12vdc, 40a, Spdt N/O	1	
46	09739	(000000-001742 )	Nut, Hex, Lock, M5 X 0.8, NI, Ss	1	

**Fig. 9 - Fast Air Pump and Detergent Group (000000-001742)**

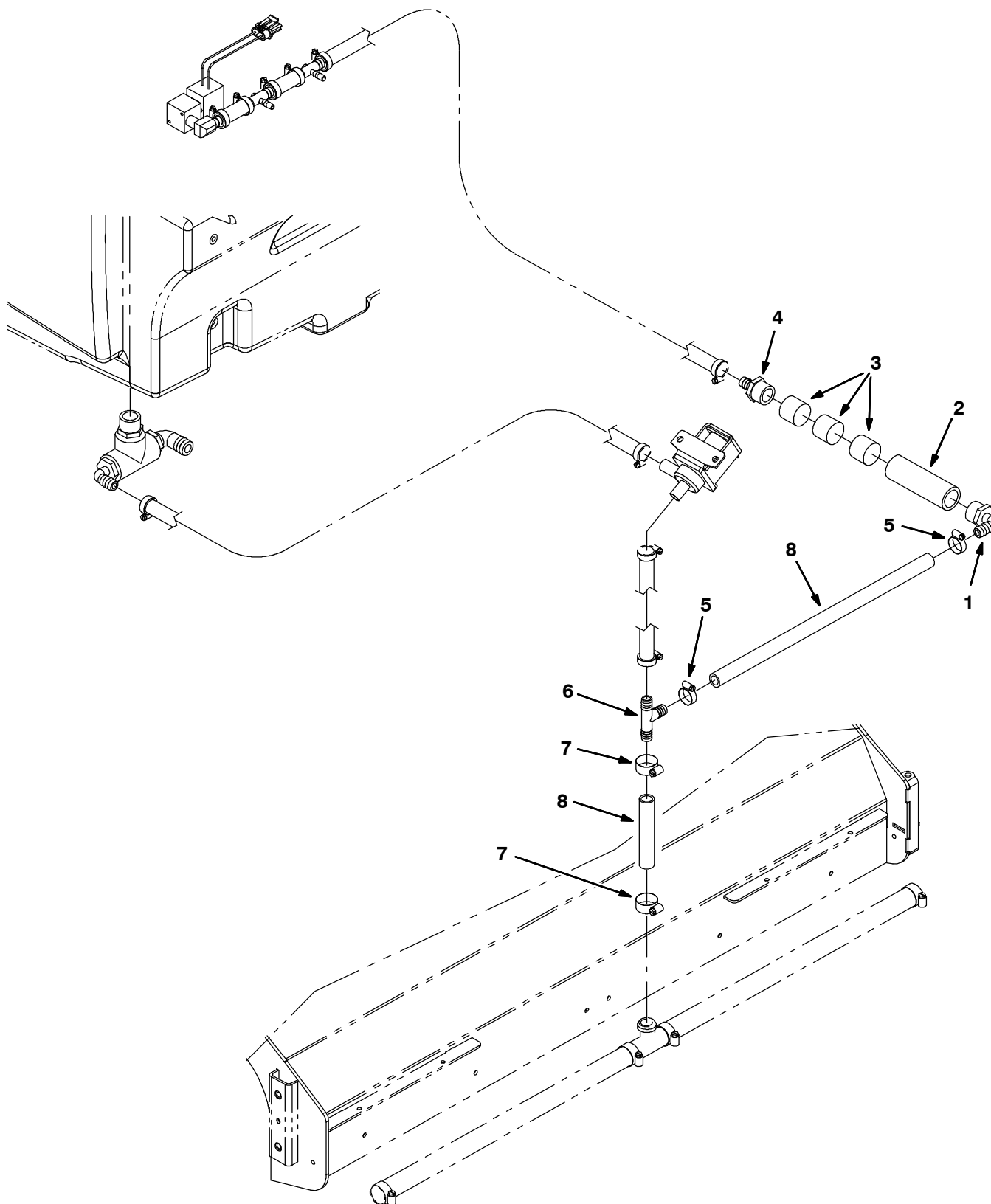




**Fig. 9 - Fast Air Pump and Detergent Group (000000-001742)**

<b>Ref.</b>	<b>Part No.</b>	<b>Serial Number</b>	<b>Description</b>	<b>Qty.</b>
1	1018097	(000000-001742 )	Pump, Detgt, 12vdc	1
2	09206	(000000-001742 )	Screw, Hex, M4 X 0.7 X 12, 8.8	2
3	02850	(000000-001742 )	Nut, Hex, Lock, M4 X 0.7, NI	2
4	1014082	(000000-001742 )	Fitting, Brs, E90, Cf03/Pf02	2
5	150525	(000000-001742 )	Fitting, Brs, Str, Bm04/Pm02	2
6	11984	(000000-001742 )	Fitting, Pipe, E90, Pf02/Pm02	1
7	1014575	(000000-001742 )	Clamp, Hose, Plstc .351-.394 Id	8
8	1002898	(000000-001742 )	Fitting, Plstc, Str, Bm04, Cplg, Fem	1
9	1002899	(000000-001742 )	Fitting, Plstc, Str, Pm04, Cplg, Mal	1
10	1005435	(000000-001742 )	Fitting, Plstc, Pipe, Cap, Pf04	1
11	1013902	(000000-001742 )	Valve, Check, 0002psi Bm04/Bm04	1
12	1018780	(000000-001742 )	Pump, Air, Ele, 12vdc	1
13	1005255	(000000-001742 )	Filter Assy, Air, Mold, Ure	1
14	53466	(000000-001742 )	Clamp, Cable, Stl, 1.50d X 1.00w, 1h	1
15	76099	(000000-001742 )	Screw, Hex, M8 X 1.25 X 25, Fmg	1
16	1026067	(000000-001742 )	Bracket Wldt, Mtg [Fast]	1
17	09740	(000000-001742 )	Screw, Hex, M8 X 1.25 X 20, Ss	4
18	1017218	(000000-001742 )	Washer, Flat, 0.32b 1.00d .12, Ss	4
19	1029118	(000000-001742 )	Bracket, Mtg [Fast]	1
20	361339	(000000-001742 )	Screw, Hex, M6 X 1.0 X 16, Fmg	2
21	32490	(000000-001742 )	Washer, Flat, 0.25 Std	2
22	1033297	(000000-001742 )	Cover Wldt [Fast]	1
23	1021878	(000000-001742 )	Detergent Pkg, 4 Liter, Sgl [Tco 665]	1
24	1006415	(000000-001742 )	Hose, Afmkt, Pvc, Clr 0.25id 03ft	1

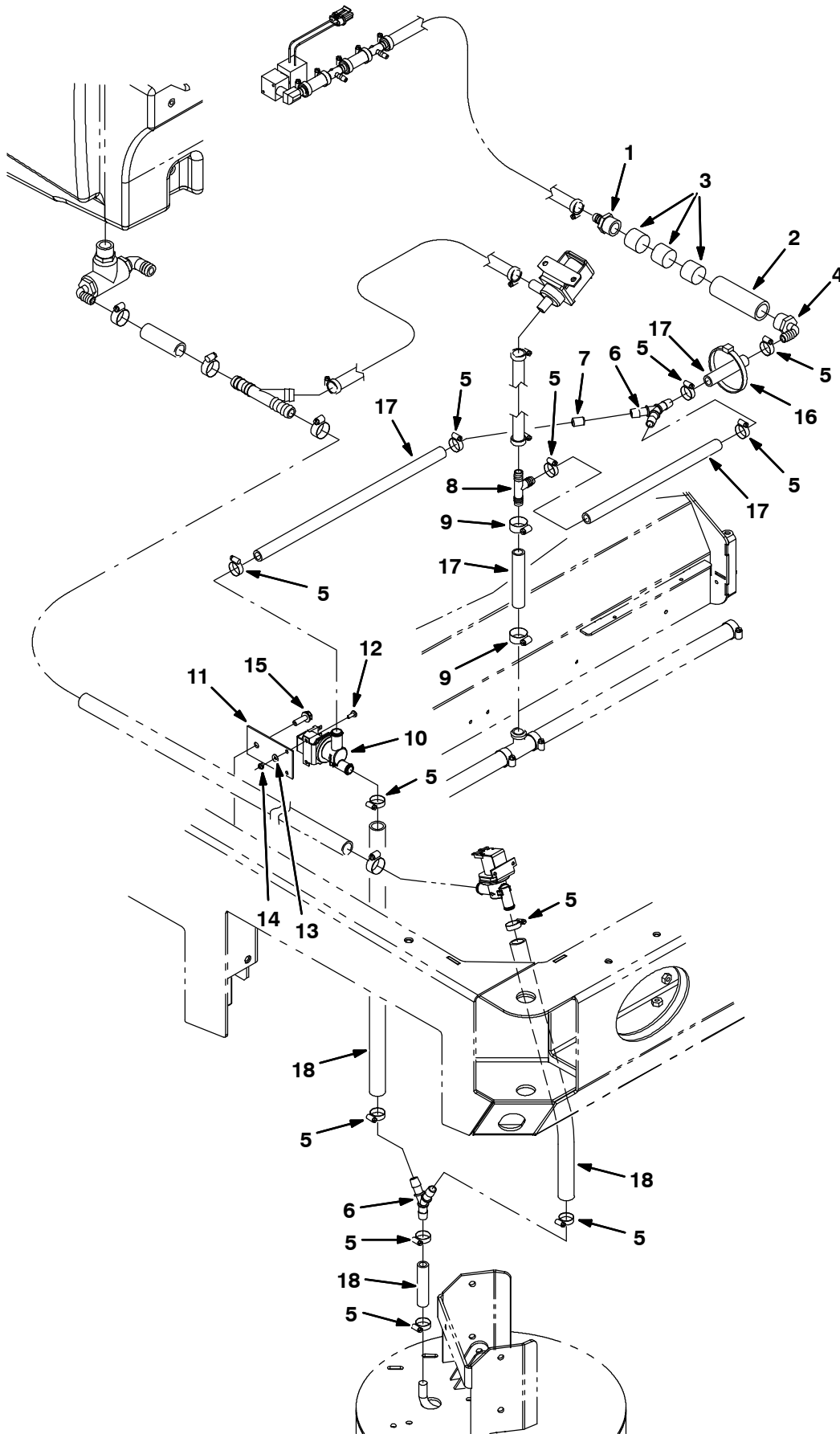
**Fig. 10 - Fast Foam Filter Group, Cylindrical Scrub Head (000000-001742)**



**Fig. 10 - Fast Foam Filter Group, Cylindrical Scrub Head (000000-001742)**

<b>Ref.</b>	<b>Part No.</b>	<b>Serial Number</b>	<b>Description</b>	<b>Qty.</b>
1	1005552	(000000-001742 )	Fitting, Plstc, E90, Bm08/Pm12, Nyl	1
2	1005086	(000000-001742 )	Tube, Pvc, Clr, 4.0l [Shc80]	1
3	1002789	(000000-001742 )	Filter, Foam, Rbr, 1.20d, 1.0l	3
4	79273-1	(000000-001742 )	Fitting, Plstc, Str, Bm08/Pm12	1
5	54333	(000000-001742 )	Clamp, Hose, Wormdrive, 0.31-0.88d, .31w	2
6	385644	(000000-001742 )	Fitting, Plstc, Tee, Bm08/Bm12/Bm12, Br	1
7	63810	(000000-001742 )	Clamp, Hose, Wormdrive, 0.56-1.06d, .56w	2
8	1011521	(000000-001742 )	Hose, Afmkt, Pvc, Brd 0.50id 02ft	1

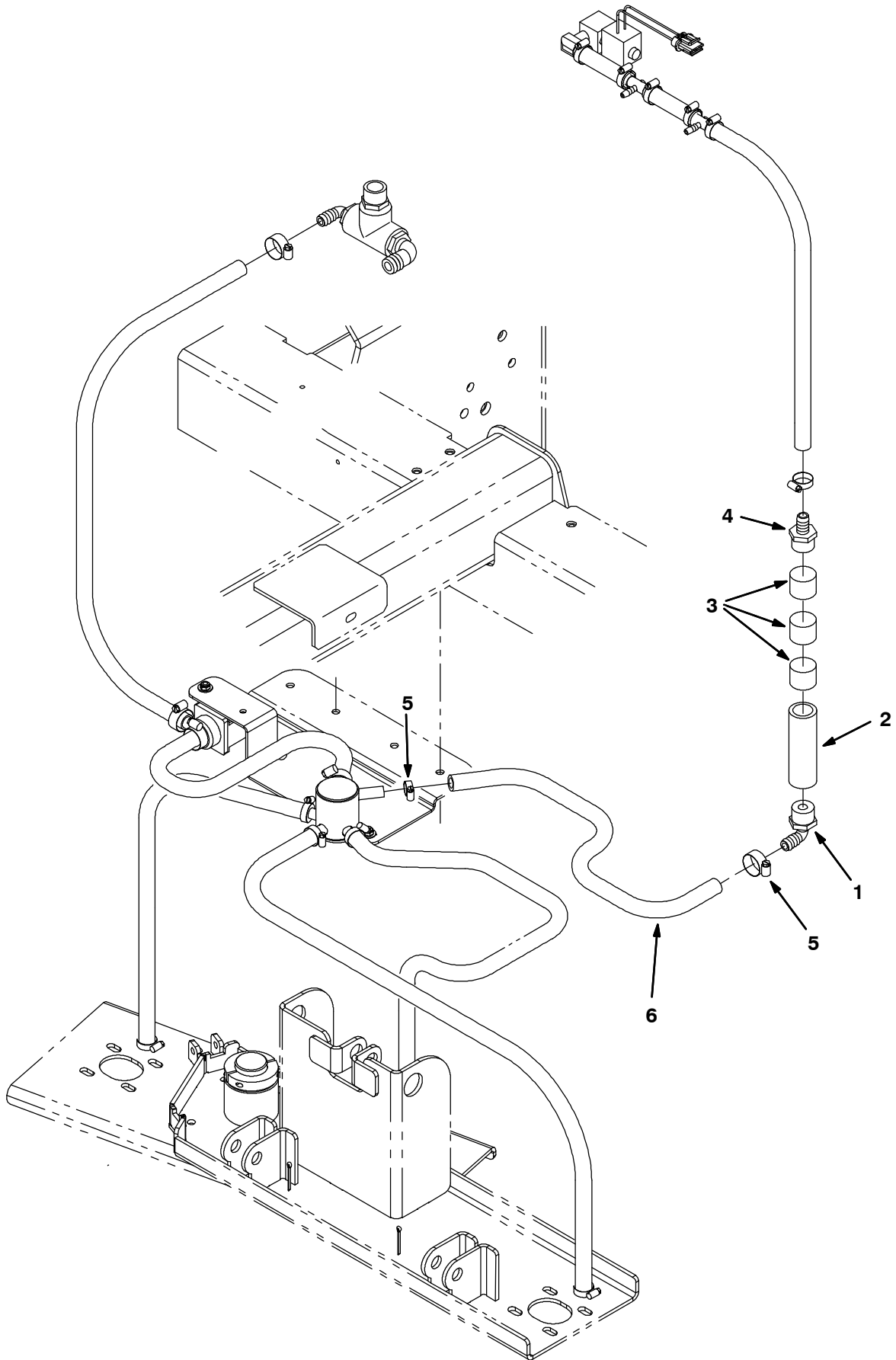
**Fig. 11 - Fast Foam Filter Group, Cylindrical Scrub Head with Side Brush (000000-001742)**



**Fig. 11 - Fast Foam Filter Group, Cylindrical Scrub Head with Side Brush (000000-001742)**

<b>Ref.</b>	<b>Part No.</b>	<b>Serial Number</b>	<b>Description</b>	<b>Qty.</b>
1	79273-1	(000000-001742 )	Fitting, Plstc, Str, Bm08/Pm12	1
2	1005086	(000000-001742 )	Tube, Pvc, Clr, 4.0l [Shc80]	1
3	1002789	(000000-001742 )	Filter, Foam, Rbr, 1.20d, 1.0l	3
4	1005552	(000000-001742 )	Fitting, Plstc, E90, Bm08/Pm12, Nyl	1
5	54333	(000000-001742 )	Clamp, Hose, Wormdrive, 0.31-0.88d, .31w	10
6	1010668	(000000-001742 )	Fitting, Plstc, Y, Bm08/Bm08/Bm08, Nyl	2
7	1018333	(000000-001742 )	Fitting, Plstc, Rst, .50od /.13id	1
8	385644	(000000-001742 )	Fitting, Plstc, Tee, Bm08/Bm12/Bm12, Br	1
9	63810	(000000-001742 )	Clamp, Hose, Wormdrive, 0.56-1.06d, .56w	2
10	1037825	(000000-001742 )	Valve, Solenoid, 12vdc, Water Flow	1
11	1030511	(000000-001742 )	Plate, Mtg, Valve	11
12	09200	(000000-001742 )	Screw, Pan, M5 X 0.8 X 12, Ss	2
13	01683	(000000-001742 )	Washer, Flat, #10, Ss	2
14	09739	(000000-001742 )	Nut, Hex, Lock, M5 X 0.8, NI, Ss	2
15	76099	(000000-001742 )	Screw, Hex, M8 X 1.25 X 25, Fmg	1
16	763116	(000000-001742 )	Tie, Cable, Nyl, 15.3l . W 4.5 Max D	1
17	1011412	(000000-001742 )	Hose, Afmkt, Pvc, Brd 0.50id 08ft	1
18	1015067	(000000-001742 )	Hose, Afmkt, Pvc, Clr 0.50id 08ft	1

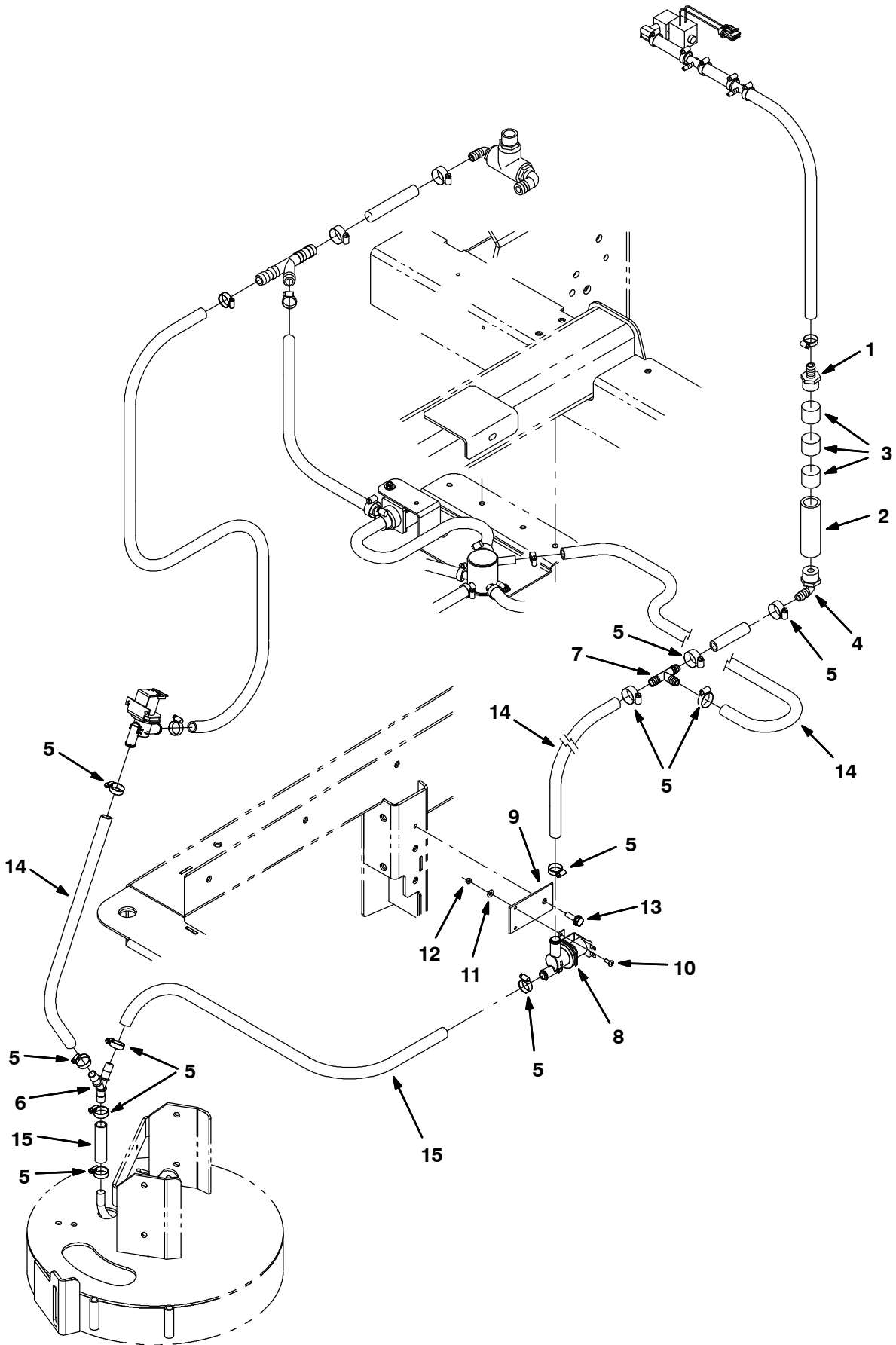
Fig. 12 - Fast Foam Filter Group, Disk Scrub Head (00000-001742)



**Fig. 12 - Fast Foam Filter Group, Disk Scrub Head (000000-001742)**

<b>Ref.</b>	<b>Part No.</b>	<b>Serial Number</b>	<b>Description</b>	<b>Qty.</b>
1	1005552	(000000-001742 )	Fitting, Plstc, E90, Bm08/Pm12, Nyl	1
2	1005086	(000000-001742 )	Tube, Pvc, Clr, 4.0l [Shc80]	1
3	1002789	(000000-001742 )	Filter, Foam, Rbr, 1.20d, 1.0l	3
4	79273-1	(000000-001742 )	Fitting, Plstc, Str, Bm08/Pm12	1
5	54333	(000000-001742 )	Clamp, Hose, Wormdrive, 0.31-0.88d, .31w	2
6	1011521	(000000-001742 )	Hose, Afrmkt, Pvc, Brd 0.50id 02ft	1

Fig. 13 - Fast Foam Filter Group, Disk Scrub Head with Side Brush (000000-001742)

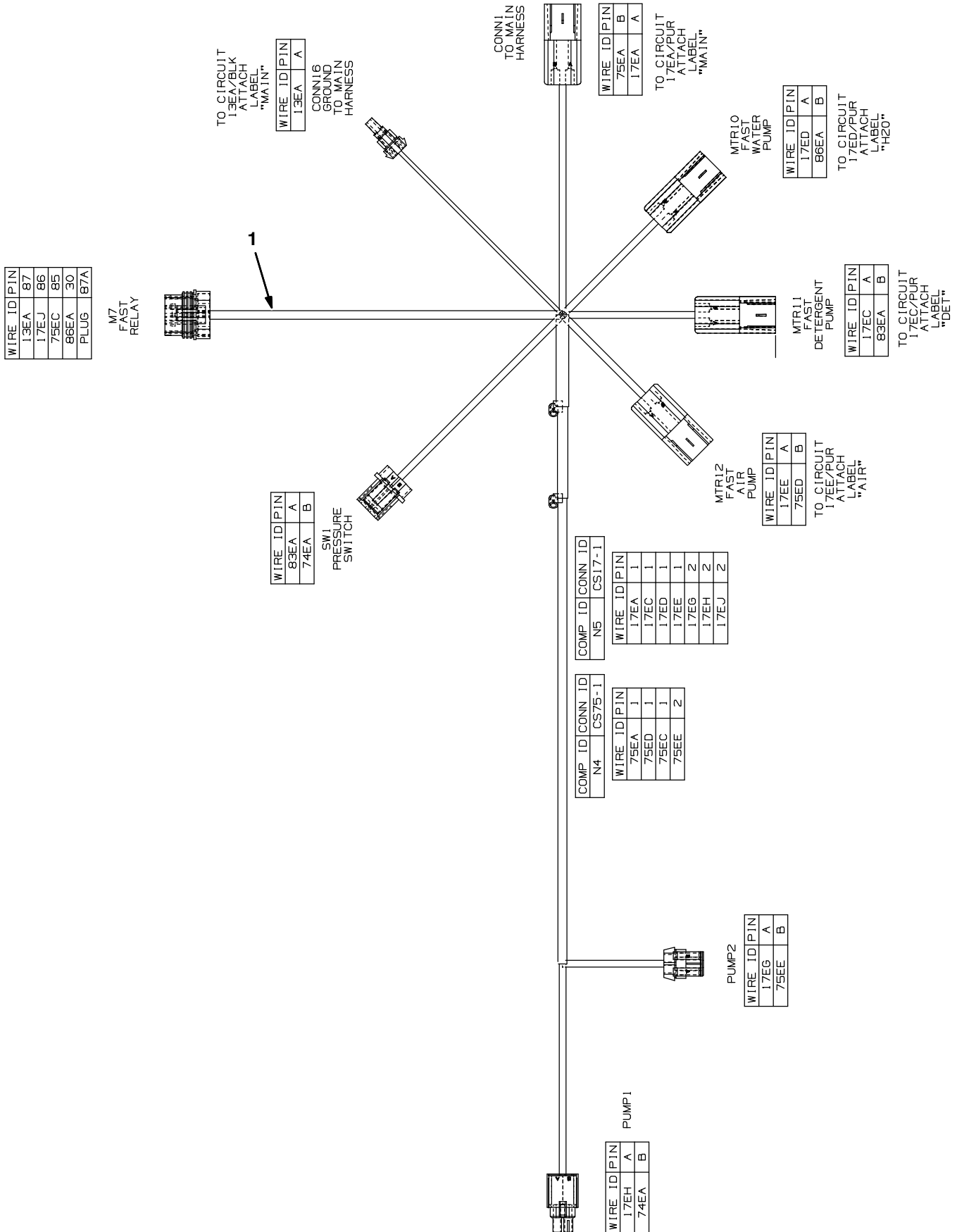




**Fig. 13 - Fast Foam Filter Group, Disk Scrub Head with Side Brush (000000-001742)**

<b>Ref.</b>	<b>Part No.</b>	<b>Serial Number</b>	<b>Description</b>	<b>Qty.</b>
1	79273-1	(000000-001742 )	Fitting, Plstc, Str, Bm08/Pm12	1
2	1005086	(000000-001742 )	Tube, Pvc, Clr, 4.0l [Shc80]	1
3	1002789	(000000-001742 )	Filter, Foam, Rbr, 1.20d, 1.0l	3
4	1005552	(000000-001742 )	Fitting, Plstc, E90, Bm08/Pm12, Nyl	1
5	54333	(000000-001742 )	Clamp, Hose, Wormdrive, 0.31-0.88d, .31w	11
6	1010668	(000000-001742 )	Fitting, Plstc, Y, Bm08/Bm08/Bm08, Nyl	1
7	63245-1	(000000-001742 )	Fitting, Plstc, Tee, Bm08/Bm08/Bm08	1
8	374704	(000000-001742 )	Valve, Solenoid, Water Flow, 12vdc	1
9	1030511	(000000-001742 )	Plate, Mtg, Valve	11
10	09200	(000000-001742 )	Screw, Pan, M5 X 0.8 X 12, Ss	2
11	01683	(000000-001742 )	Washer, Flat, #10, Ss	2
12	09739	(000000-001742 )	Nut, Hex, Lock, M5 X 0.8, NI, Ss	2
13	76099	(000000-001742 )	Screw, Hex, M8 X 1.25 X 25, Fmg	1
14	1011412	(000000-001742 )	Hose, Afmkt, Pvc, Brd 0.50id 08ft	1
15	1015067	(000000-001742 )	Hose, Afmkt, Pvc, Clr 0.50id 08ft	1

Fig. 14 - Fast Wire Harness Group (000000-001742)



**Fig. 14- Fast Wire Harness Group (000000-001742)**

<b>Ref.</b>	<b>Part No.</b>	<b>Serial Number</b>	<b>Description</b>	<b>Qty.</b>
1	1019646	(000000-001742 )	Harness [Fast, M20 And T20]	1

**Fig. 15 - FaST Pumps and Detergent Group (001743- )**

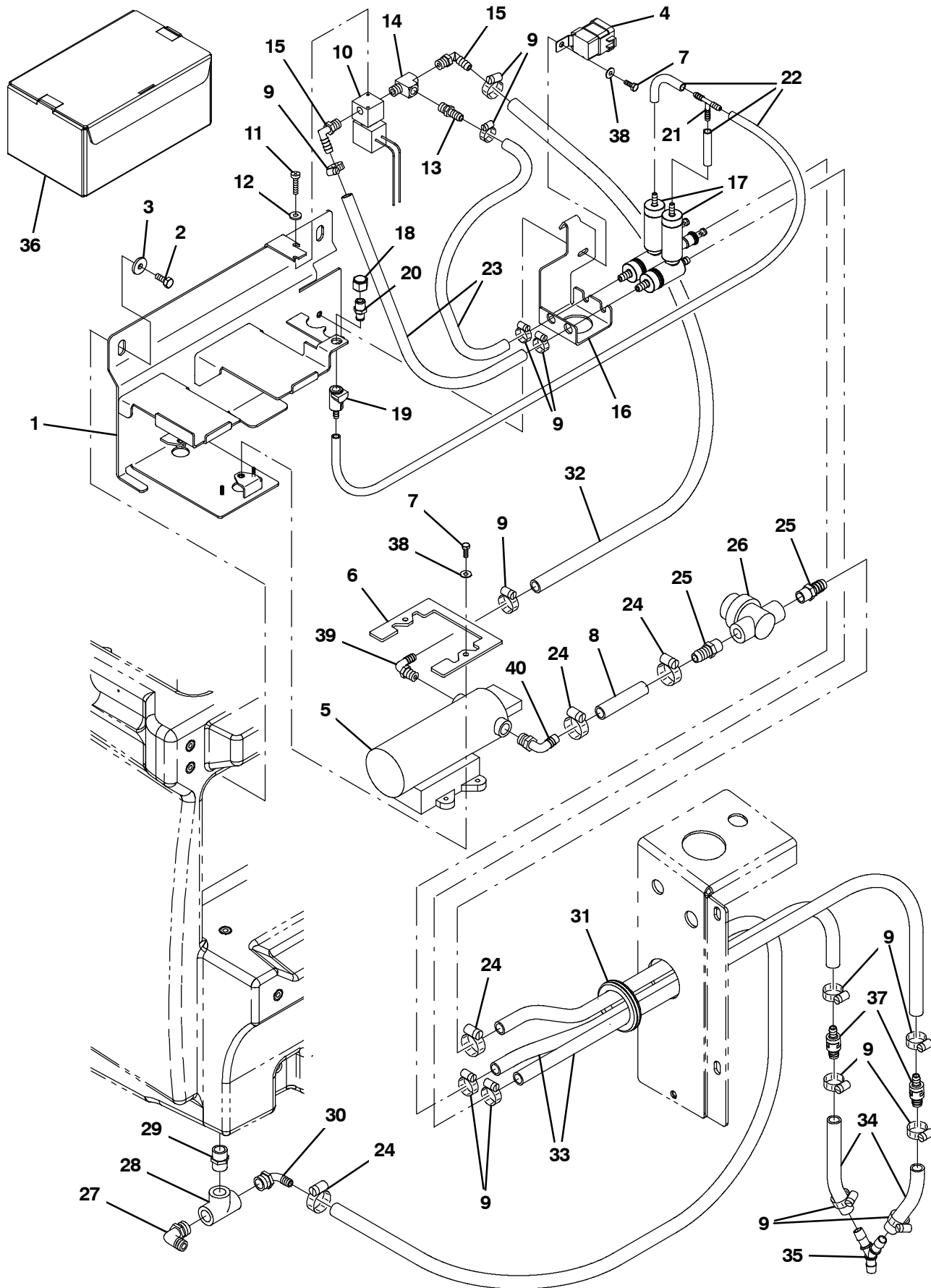
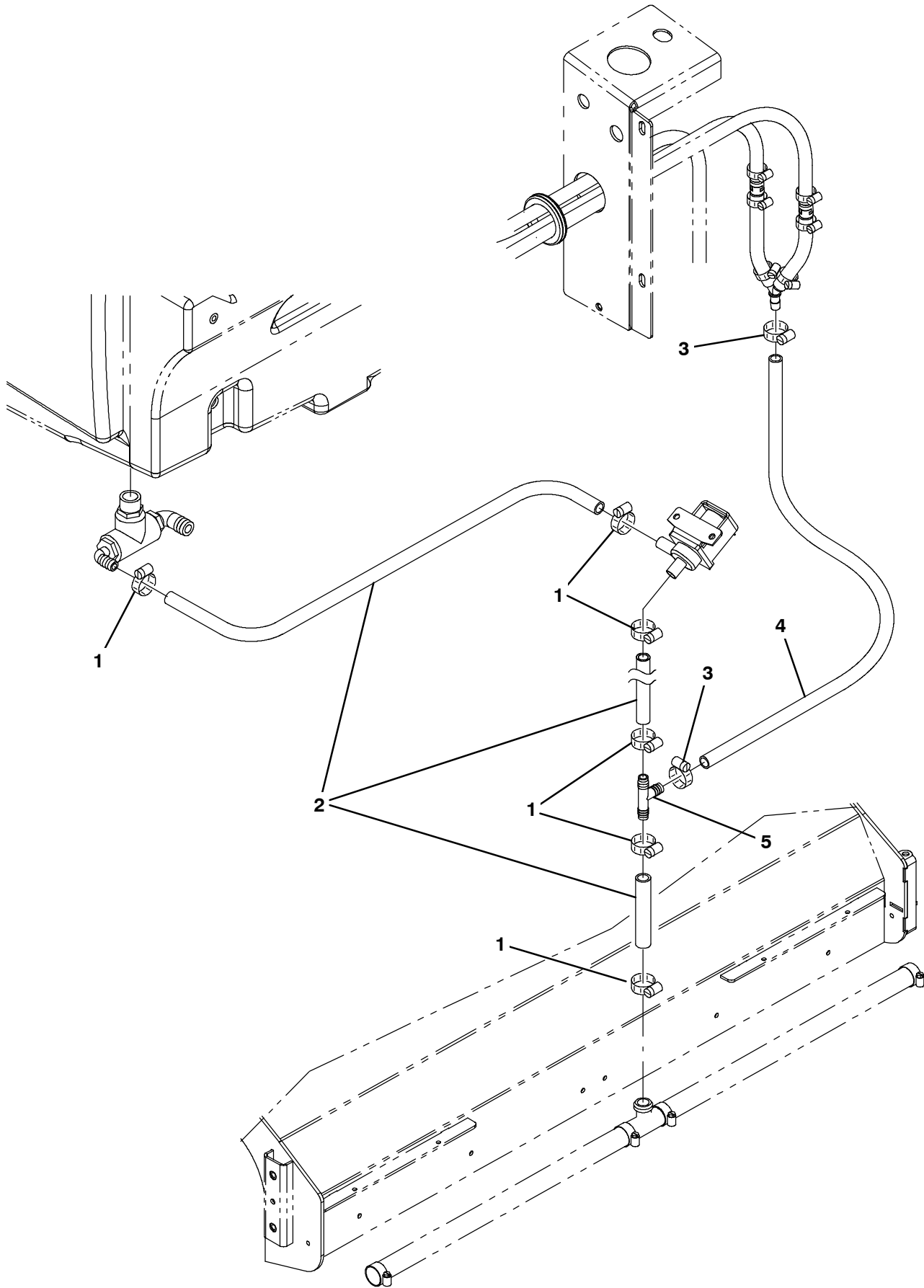


Fig. 15 - FaST Pumps and Detergent Group (001743- )

Ref.	Part No.	Serial Number	Description	Qty.
1	1044342	(001743-	) Bracket Wldt, Mtg [Fast Gen 2+]	1
2	09740	(001743-	) Screw, Hex, M8 X 1.25 X 20, Ss	2
3	1017218	(001743-	) Washer, Flat, 0.32b 1.00d .12, Ss	2
4	56186	(001743-	) Relay, 12vdc, 040a, Spdt No	1
5	1036801	(001743-	) Pump, Soltn, 13.7vdc, 65psi [Fast li+]	1
6	1039357	(001743-	) Bracket, Retainer, Pump	1
7	15678	(001743-	) Screw, Hex, M6 X 1.00 X 16, Ss	3
8	1015047	(001743-	) Hose, Afmkt, Pvc, Brd, 0.75id, 02ft, Clr	1
9	43844	(001743-	) Clamp, Hose, Wormdrive, 0.25-0.62d, .31w	14
10	1018098	(001743-	) Valve, Water, Solenoid, 12vdc 6.0mm Pf04	1
11	09200	(001743-	) Screw, Pan, Phl, M5 X 0.80 X 12, Ss	2
12	01683	(001743-	) Washer, Flat, 10, Ss	2
13	150540	(001743-	) Fitting, Plstc, Str, Bm06/Pm04	1
14	150709	(001743-	) Fitting, Brs, Tee, Pm04/Pf04/Pf04, Run	1
15	57248	(001743-	) Fitting, Plstc, E90, Bm06/Pm04, Nyl	2
16	1044343	(001743-	) Bracket, Mtg [Fast Gen 2+]	1
17	9004515	(001743-	) Fast Kit, Injector, Ci[M20/M30 FaST II+]	2
18	1005435	(001743-	) Fitting, Plstc, Pipe, Cap, Pf04	1
19	1002898	(001743-	) Fitting, Plstc, Str, Bm04, Cplg, Fem	1
20	1002899	(001743-	) Fitting, Plstc, Str, Pm04, Cplg, Mal	2
21	150713	(001743-	) Fitting, Plstc, Tee, Bm04/Bm04/Bm04	1
22	1014986	(001743-	) Hose, Afmkt, Pvc, Clr, 0.25id, 02ft	1
23	1006416	(001743-	) Hose, Afmkt, Pvc, Clr, 0.38id, 03ft	1
24	54333	(001743-	) Clamp, Hose, Wormdrive, 0.31-0.88d, .31w	8
25	150538	(001743-	) Fitting, Plstc, Str, Bm06/Pm06	2
26	1005302	(001743-	) Filter, In-Line, Pf06/Pf06 080mesh 02.6l	1
27	14877	(001743-	) Fitting, Plstc, E90, Bm12/Pm12	1
28	42133A	(001743-	) Fitting, Plstc, Tee, Pf12/Pf12/Pf12	1
29	24544	(001743-	) Fitting, Plstc, Str, Pm12/Pm12 1.60l	1
30	1005552	(001743-	) Fitting, Plstc, E90, Bm08/Pm12, Nyl	1
31	10632-19	(001743-	) Grommet, Rbr, 2.13id, F/2.5h, .12 Matl	1
32	1006400	(001743-	) Hose, Afmkt, Pvc, Brd, 0.38id, 03ft, Clr	1
33	1024237	(001743-	) Hose, Afmkt, Pvc, Wir, 0.50id, 03ft, Clr	1
34	1014929	(001743-	) Hose, Afmkt, Pvc, Clr, 0.38id, 01ft	1
35	1010668	(001743-	) Fitting, Plstc, Y, Bm08/Bm08/Bm08, Nyl	1
36	1021878	(001743-	) Fast 665 4 Ltr, Detergent	1
37	1035794	(001743-	) Valve, Check, 0005psi Bm06/Bm08	2
38	01684	(001743-	) Washer, Flat, 0.27B 0.69D .05, Ss	3
39	1049254	(001743-	) Fitting, Nyl, Qdc, E90, Bm08/ Qm10	1
40	1049259	(001743-	) Fitting, NylY, Qdc, E90, Bm06/ Qm10	1

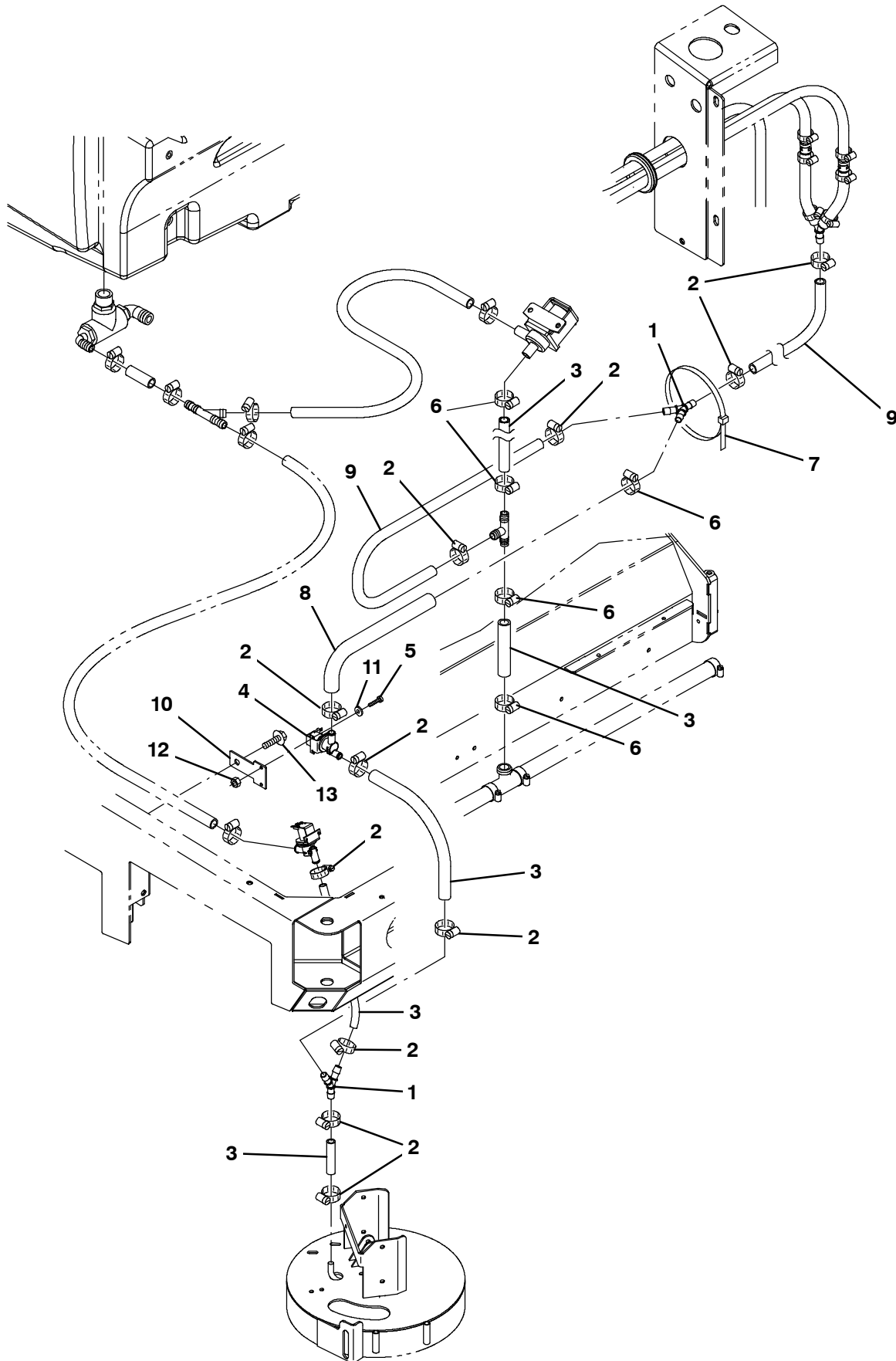
**Fig. 16 - FaST Solution Supply Group, Cylindrical Scrub Head (001743- )**



**Fig. 16 - FaST Solution Supply Group, Cylindrical Scrub Head (001743- )**

<b>Ref.</b>	<b>Part No.</b>	<b>Serial Number</b>	<b>Description</b>	<b>Qty.</b>
1	63810	(001743-	) Clamp, Hose, Wormdrive, 0.56-1.06d, .56w	6
2	1015045	(001743-	) Hose, Afmkt, Pvc, Brd, 0.75id, 08ft, Clr	1
3	54333	(001743-	) Clamp, Hose, Wormdrive, 0.31-0.88d, .31w	2
4	1011412	(001743-	) Hose, Afmkt, Pvc, Brd, 0.50id, 08ft, Clr	1
5	385644	(001743-	) Fitting, Plstc, Tee, Bm08/Bm12/Bm12, Br	1

**Fig. 17 - FaST Solution Supply Group with Side Brush, Cylindrical Scrub Head (001743- )**



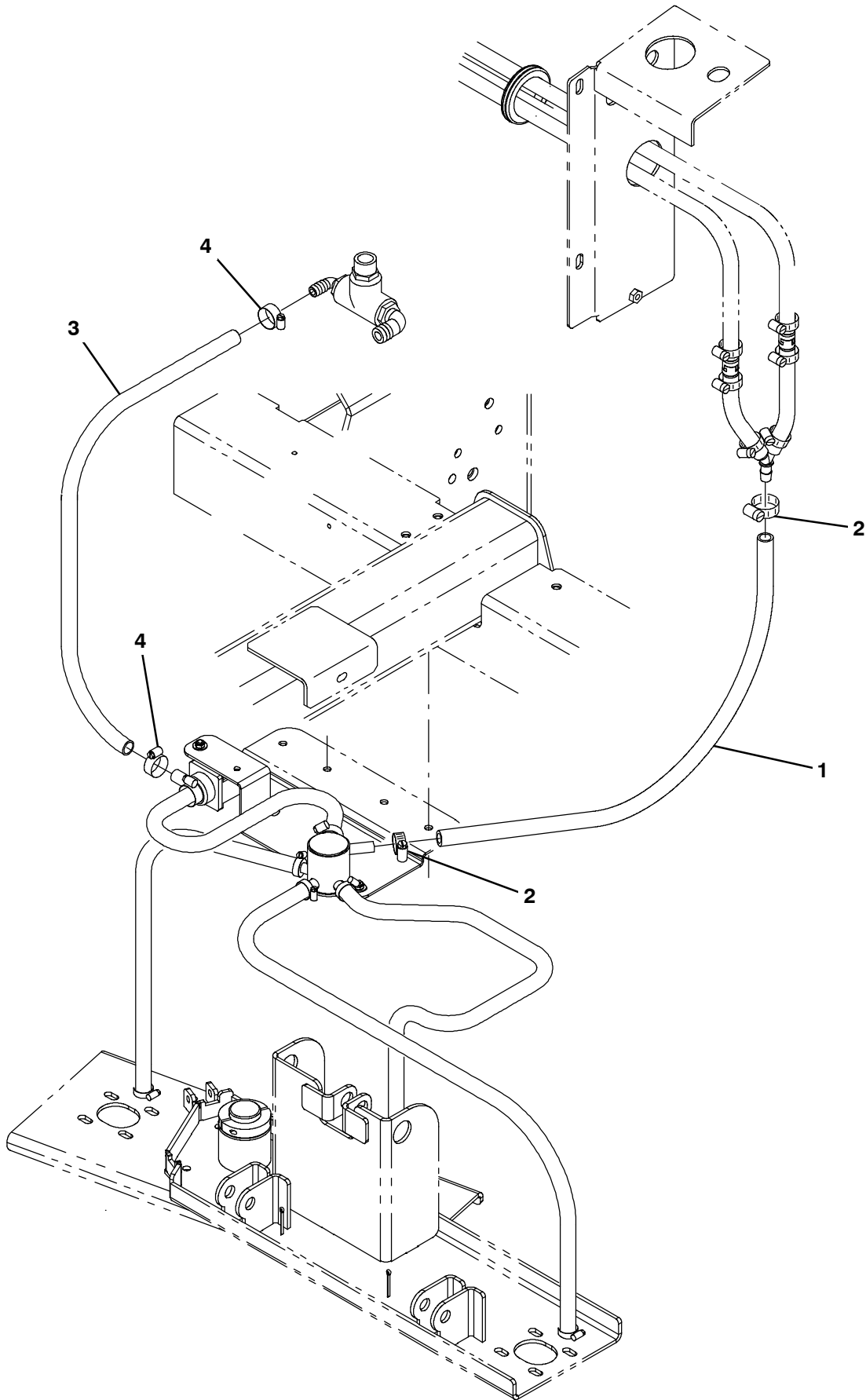


**Fig. 17 - FaST Solution Supply Group with Side Brush, Cylindrical Scrub Head (001743-**

**)**

<b>Ref.</b>	<b>Part No.</b>	<b>Serial Number</b>	<b>Description</b>	<b>Qty.</b>
1	1010668	(001743-	) Fitting, Plstc, Y, Bm08/Bm08/Bm08, Nyl	2
2	54333	(001743-	) Clamp, Hose, Wormdrive, 0.31-0.88d, .31w	11
3	1015067	(001743-	) Hose, Afmkt, Pvc, Clr, 0.50id, 08ft	1
4	1037825	(001743-	) Valve, Solenoid, 12vdc, Water Flow	1
5	09200	(001743-	) Screw, Pan, Phl, M5 X 0.80 X 12, Ss	2
6	63810	(001743-	) Clamp, Hose, Wormdrive, 0.56-1.06d, .56w	5
7	763116	(001743-	) Tie, Cable, Nyl, 15.3l . W 4.5 Max D	1
8	31543	(001743-	) Hose, Heater, E90, 0.62id, 24.0 4.0	1
9	1011412	(001743-	) Hose, Afmkt, Pvc, Brd, 0.50id, 08ft, Clr	1
10	1030511	(001743-	) Plate, Mtg, Valve	1
11	01683	(001743-	) Washer, Flat, 10, Ss	2
12	09739	(001743-	) Nut, Hex, Lock, M5 X 0.80, NI, Ss	2
13	76099	(001743-	) Screw, Hex, M8 X 1.25 X 25, Fmg	1

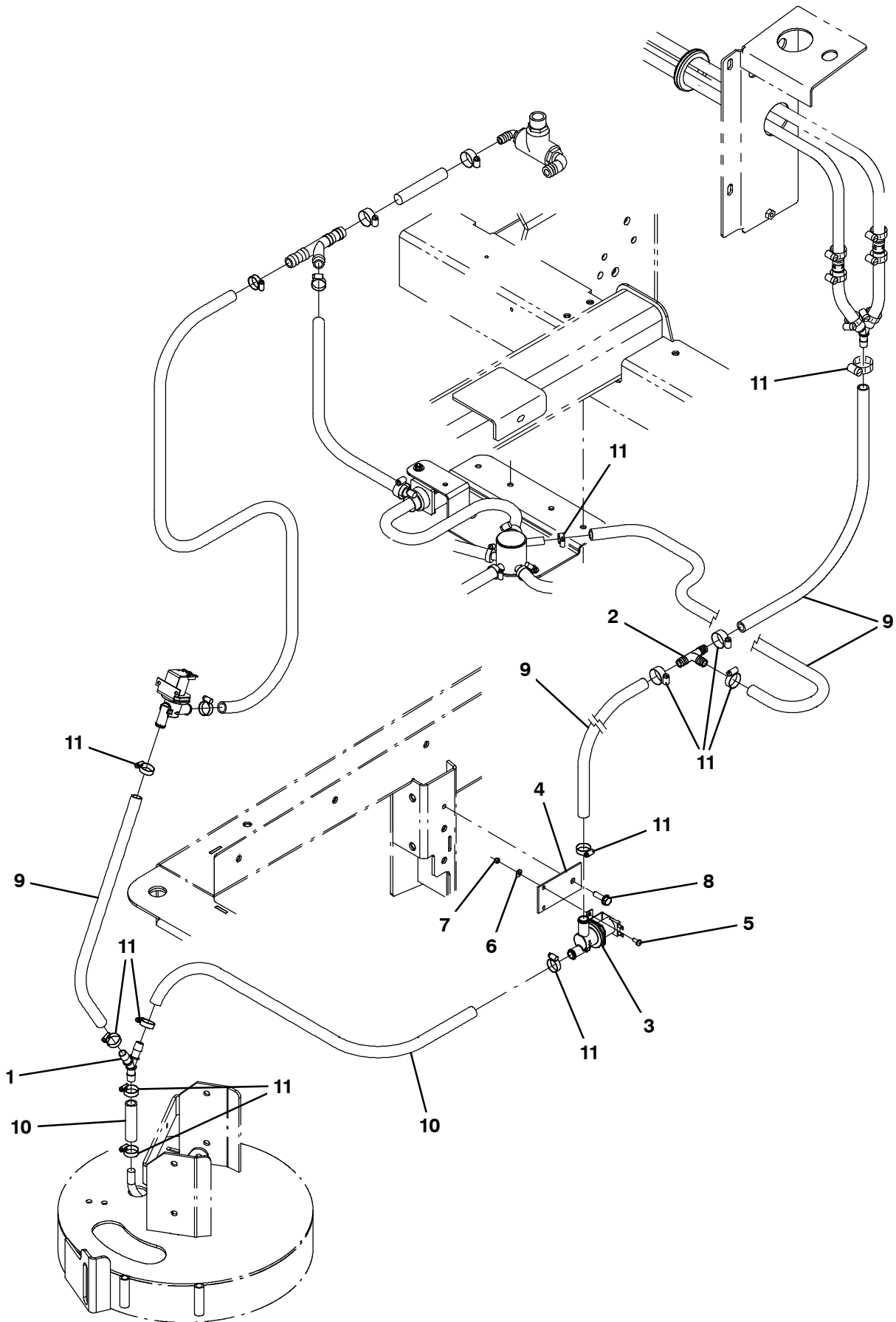
Fig. 18 - FaST Solution Supply Group, Disk Scrub Head (001743- )



**Fig. 18 - FaST Solution Supply Group, Disk Scrub Head (001743- )**

<b>Ref.</b>	<b>Part No.</b>	<b>Serial Number</b>	<b>Description</b>	<b>Qty.</b>
1	1011412	(001743-	) Hose, Afmkt, Pvc, Brd, 0.50id, 08ft, Clr	1
2	54333	(001743-	) Clamp, Hose, Wormdrive, 0.31-0.88d, .31w	2
3	1015045	(001743-	) Hose, Afmkt, Pvc, Brd, 0.75id, 08ft, Clr	1
4	63810	(001743-	) Clamp, Hose, Wormdrive, 0.56-1.06d, .56w	4

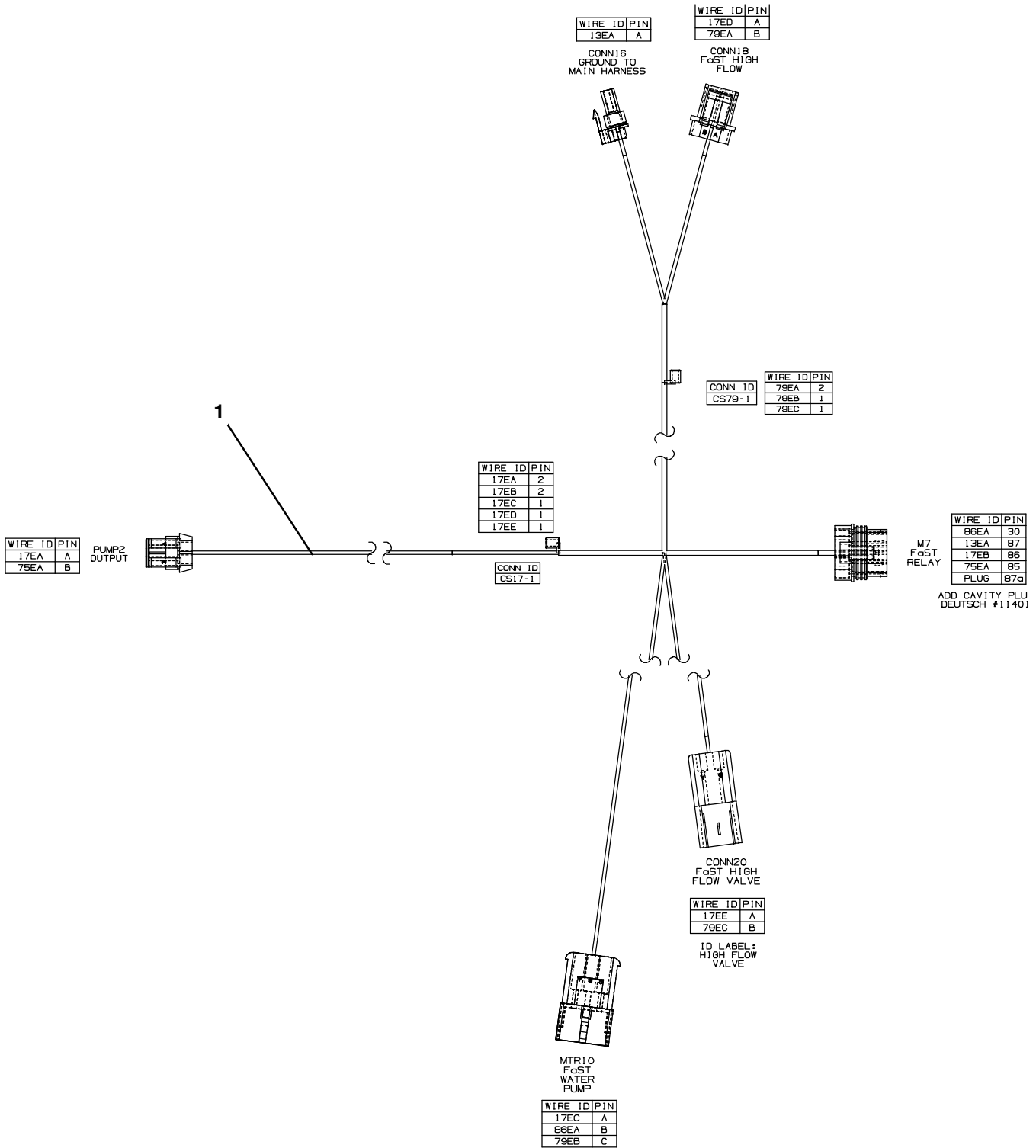
**Fig. 19 - FaST Solution Supply Group with Side Brush, Disk Scrub Head (001743- )**



**Fig. 17 - FaST Solution Supply Group with Side Brush, Disk Scrub Head (001743- )**

<b>Ref.</b>	<b>Part No.</b>	<b>Serial Number</b>	<b>Description</b>	<b>Qty.</b>
1	1010668	(001743-	) Fitting, Plstc, Y, Bm08/Bm08/Bm08, Nyl	1
2	63245-1	(001743-	) Fitting, Plstc, Tee, Bm08/Bm08/Bm08	1
3	374704	(001743-	) Valve, Water, Solenoid, 12vdc Bm10/Bm10	1
4	1030511	(001743-	) Plate, Mtg, Valve	11
5	09200	(001743-	) Screw, Pan, Phl, M5 X 0.80 X 12, Ss	2
6	01683	(001743-	) Washer, Flat, 10, Ss	2
7	09739	(001743-	) Nut, Hex, Lock, M5 X 0.80, NI, Ss	2
8	76099	(001743-	) Screw, Hex, M8 X 1.25 X 25, Fmg	1
9	1011412	(001743-	) Hose, Afmkt, Pvc, Brd, 0.50id, 08ft, Clr	1
10	1015067	(001743-	) Hose, Afmkt, Pvc, Clr, 0.50id, 08ft	1
11	54333	(001743-	) Clamp, Hose, Wormdrive, 0.31-0.88d, .31w	11

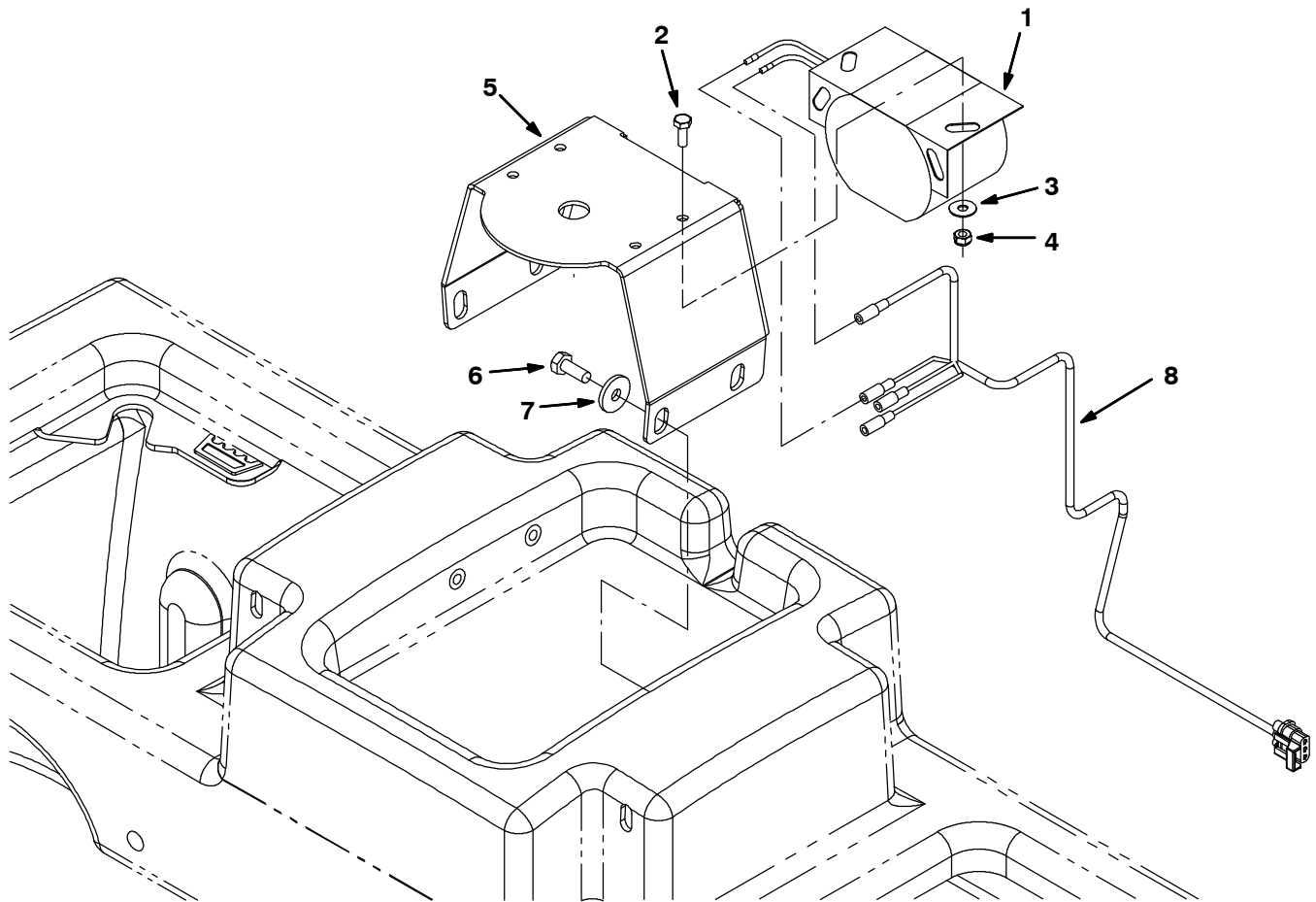
Fig. 20 - Fast Wire Harness Group (001743- )



354724

Ref.	Part No.	Serial Number	Description	Qty.
1	1037809	(001743- )	Harness, Wire [Fast Gen 2]	1

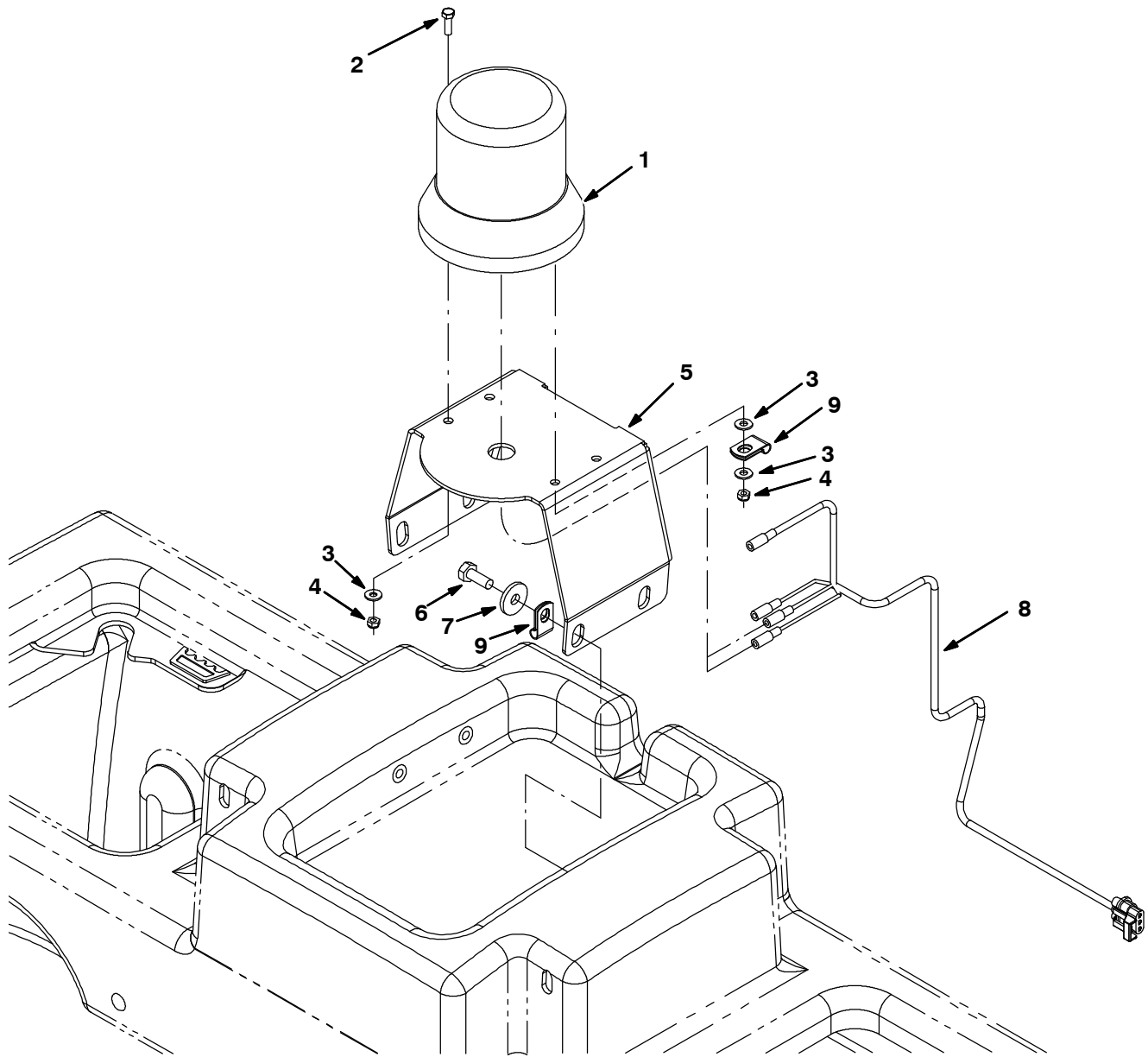
Fig. 21 - Backup Alarm Kit



354473

Ref.	Part No.	Serial Number	Description	Qty.
▽	9001321	(000000-	) Alarm Kit, Backup, Ci [M20 And T20]	1
▲	1 61920	(000000-	) Alarm Assy, Backup, 12-24vdc 82-107dba	1
▲	2 24196	(000000-	) Screw, Pan, Phl, M5 X 0.80 X 20, Ss	2
▲	3 19066	(000000-	) Washer, Flat, 10	2
▲	4 09739	(000000-	) Nut, Hex, Lock, M5 X 0.80, NI, Ss	2
▲	5 1019445	(000000-	) Bracket, Sppt, Revl Light	1
▲	6 09740	(000000-	) Screw, Hex, M8 X 1.25 X 20, Ss	4
▲	7 1017218	(000000-	) Washer, Flat, 0.32b 1.00d .12, Ss	4
▲	8 1019971	(000000-	) Harness, Warning / Backup [M20 & T20]	1

Fig. 22 - Light Kit, Flashing

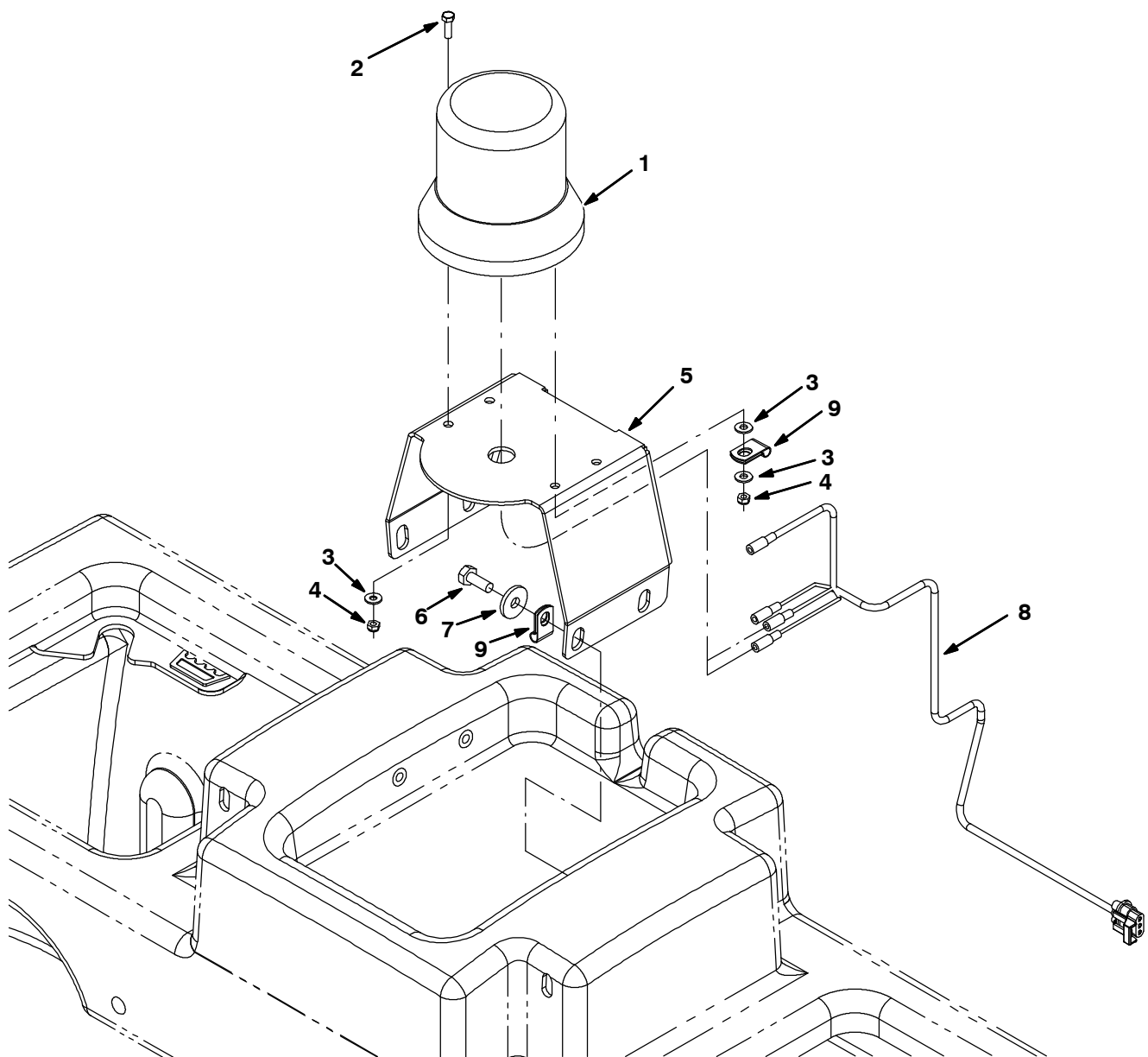




**Fig. 22 - Light Kit, Flashing**

	<b>Ref.</b>	<b>Part No.</b>	<b>Serial Number</b>	<b>Description</b>	<b>Qty.</b>
▽		9001327	(000000-	) Light Kit, Flsh, Ci [M20 And T20]	1
▲▽	1	1017248	(000000-	) Lamp, Flasher, Amb [12-48 Vdc]	1
▲▲		9000879	(000000-	) Lens, Lamp, Amb, Strobe/Flasher	1
▲▲		9000845	(000000-	) Lamp, Bulb, Lamp, Flsh	1
▲▲		1027800	(000000-	) Lens, Blue, Option, F/ Revl / Flsh Light	1
▲▲		1027798	(000000-	) Lens, Red, Option, F/ Revl / Flsh Light	1
▲		55272	(000000-	) Terminal, Bullet, Mal, .157d, 12ga	2
▲	2	24196	(000000-	) Screw, Pan, Phl, M5 X 0.80 X 20, Ss	2
▲	3	19066	(000000-	) Washer, Flat, 10	2
▲	4	09739	(000000-	) Nut, Hex, Lock, M5 X 0.80, NI, Ss	2
▲	5	1019445	(000000-	) Bracket, Sppt, Revl Light	1
▲	6	09740	(000000-	) Screw, Hex, M8 X 1.25 X 20, Ss	4
▲	7	1017218	(000000-	) Washer, Flat, 0.32b 1.00d .12, Ss	4
▲	8	1019971	(000000-	) Harness, Warning / Backup [M20 & T20]	1
▲	9	46236	(000000-	) Clamp, Cable, Stl, 0.25D X 0.56W, 1Hole	2

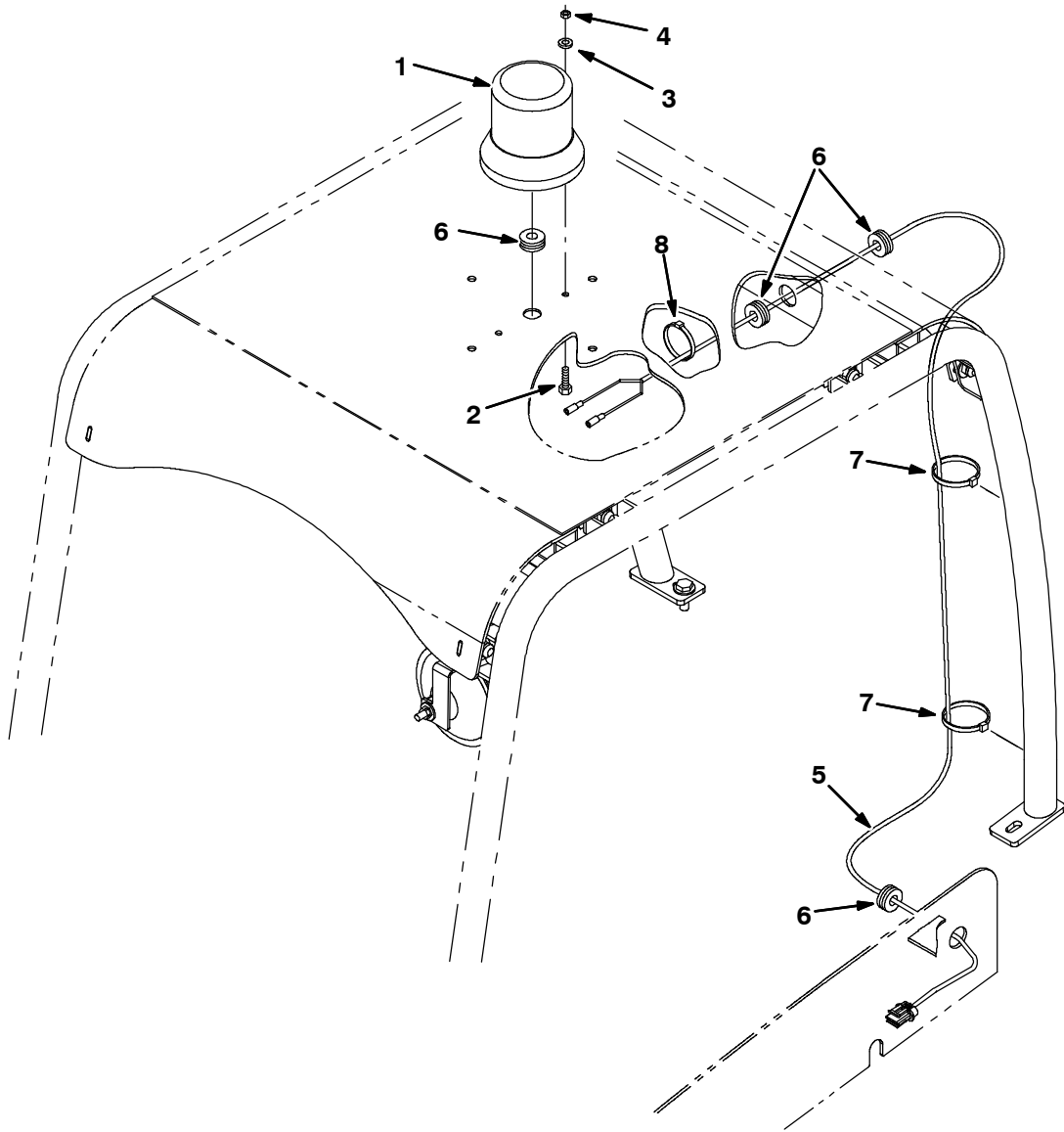
Fig. 23 - Light Kit, Revolving



**Fig. 23 - Light Kit, Revolving**

	<b>Ref.</b>	<b>Part No.</b>	<b>Serial Number</b>	<b>Description</b>	<b>Qty.</b>
▽		9001331	(000000-	) Light Kit, Revl, Ci [M20 And T20]	1
▲▽	1	1017250	(000000-	) Lamp Strobe, Amb [12-48 Vdc]	1
▲▲		9000879	(000000-	) Lens, Lamp, Amb, Strobe/Flasher	1
▲▲		9000846	(000000-	) Lamp, Bulb, Lamp, Strobe	1
▲▲		1027800	(000000-	) Lens, Blue, Option, F/ Revl / Flsh Light	1
▲▲		1027798	(000000-	) Lens, Red, Option, F/ Revl / Flsh Light	1
▲		55272	(000000-	) Terminal, Bullet, Mal, .157d, 12ga	2
▲	2	24196	(000000-	) Screw, Pan, Phl, M5 X 0.80 X 20, Ss	2
▲	3	19066	(000000-	) Washer, Flat, 10	2
▲	4	09739	(000000-	) Nut, Hex, Lock, M5 X 0.80, NI, Ss	2
▲	5	1019445	(000000-	) Bracket, Sppt, Revl Light	1
▲	6	09740	(000000-	) Screw, Hex, M8 X 1.25 X 20, Ss	4
▲	7	1017218	(000000-	) Washer, Flat, 0.32b 1.00d .12, Ss	4
▲	8	1019971	(000000-	) Harness, Warning / Backup [M20 & T20]	1
▲	9	46236	(000000-	) Clamp, Cable, Stl, 0.25D X 0.56W, 1Hole	2

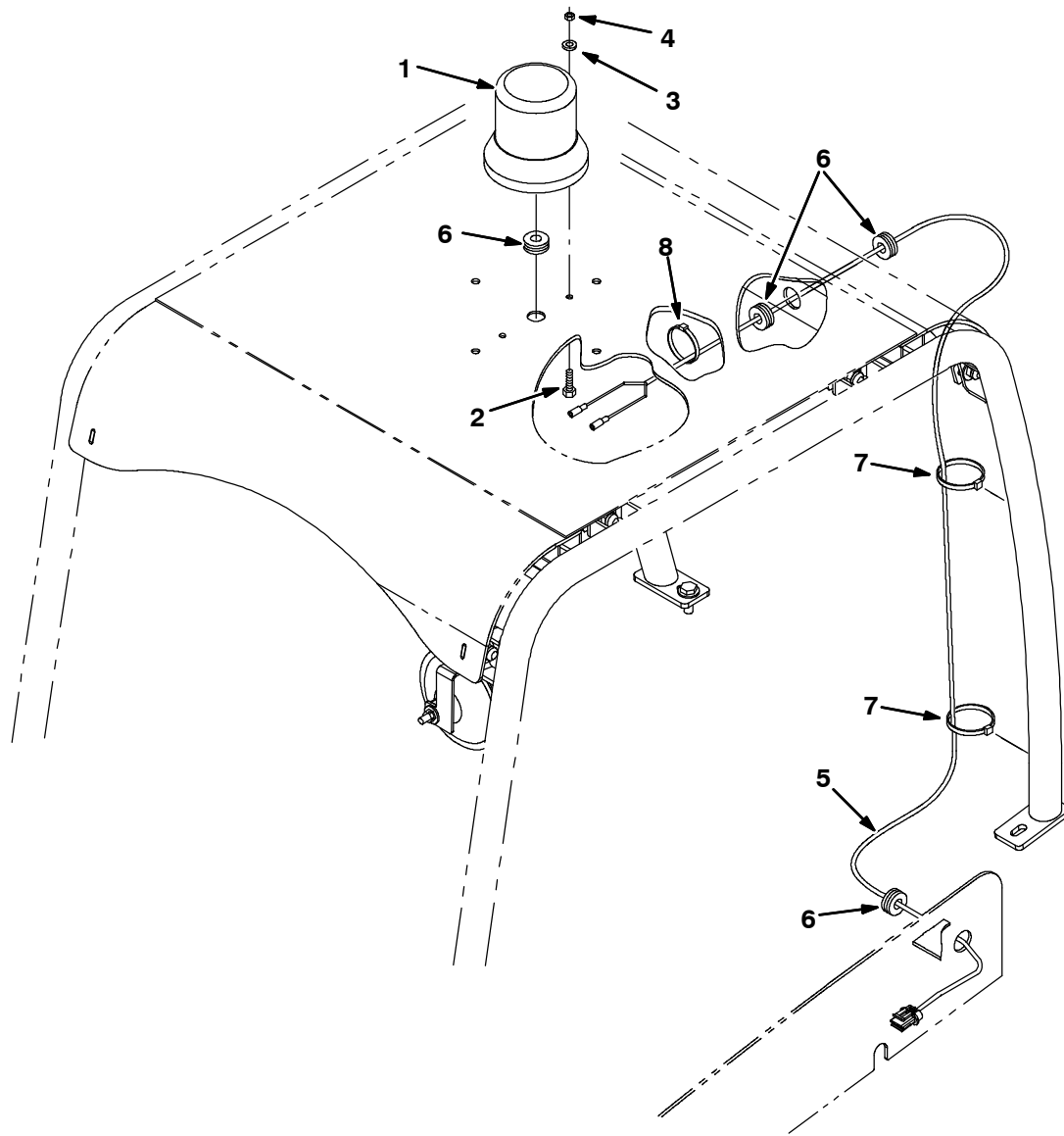
**Fig. 24 - Light Kit, Flashing Overhead Guard**



354477

Ref.	Part No.	Serial Number	Description	Qty.
▽	9001718	(000000-	) Light Kit, Flsh, W/Ohg, Ci[M20 And T20]	1
▲▽	1 1017248	(000000-	) Lamp, Flasher, Amb [12-48 Vdc]	1
▲▲	9000879	(000000-	) Lens, Lamp, Amb, Strobe/Flasher	1
▲▲	9000845	(000000-	) Lamp, Bulb, Lamp, Flsh	1
▲▲	1027800	(000000-	) Lens, Blue, Option, F/ Revl / Flsh Light	1
▲▲	1027798	(000000-	) Lens, Red, Option, F/ Revl / Flsh Light	1
▲	55272	(000000-	) Terminal, Bullet, Mal, .157d, 12ga	2
▲	2 24196	(000000-	) Screw, Pan, Phl, M5 X 0.80 X 20, Ss	2
▲	3 19066	(000000-	) Washer, Flat, 10	2
▲	4 09739	(000000-	) Nut, Hex, Lock, M5 X 0.80, NI, Ss	2
▲	5 1019647	(000000-	) Harness, Warning / Ohg [M20]	1
▲	6 10632-17	(000000-	) Grommet, Rbr, 0.50id, F/0.8h, .12 Matl	4
▲	7 763115	(000000-	) Tie, Cable, 6.0l, 1.25d Max	4
▲	8 49266	(000000-	) Tie, Cable, Nyl, 07.3l .19w 1.8 Max D	2

Fig. 25 - Light Kit, Revolving Overhead Guard



354477

Ref.	Part No.	Serial Number	Description	Qty.
▽	9001717	(000000-	) Light Kit, Revl, W/Ohg, Ci [M20 And T20]	1
▲▽	1 1017250	(000000-	) Lamp Strobe, Amb [12-48 Vdc]	1
▲▲	9000879	(000000-	) Lens, Lamp, Amb, Strobe/Flasher	1
▲▲	9000846	(000000-	) Lamp, Bulb, Lamp, Strobe	1
▲▲	1027800	(000000-	) Lens, Blue, Option, F/ Revl / Flsh Light	1
▲▲	1027798	(000000-	) Lens, Red, Option, F/ Revl / Flsh Light	1
▲	55272	(000000-	) Terminal, Bullet, Mal, .157d, 12ga	2
▲	2 24196	(000000-	) Screw, Pan, Phl, M5 X 0.80 X 20, Ss	2
▲	3 19066	(000000-	) Washer, Flat, 10	2
▲	4 09739	(000000-	) Nut, Hex, Lock, M5 X 0.80, NI, Ss	2
▲	5 1019647	(000000-	) Harness, Warning / Ohg [M20]	1
▲	6 10632-17	(000000-	) Grommet, Rbr, 0.50id, F/0.8h, .12 Matl	4
▲	7 763115	(000000-	) Tie, Cable, 6.0l, 1.25d Max	4
▲	8 49266	(000000-	) Tie, Cable, Nyl, 07.3l .19w 1.8 Max D	2

Fig. 26 - Overhead Guard Kit

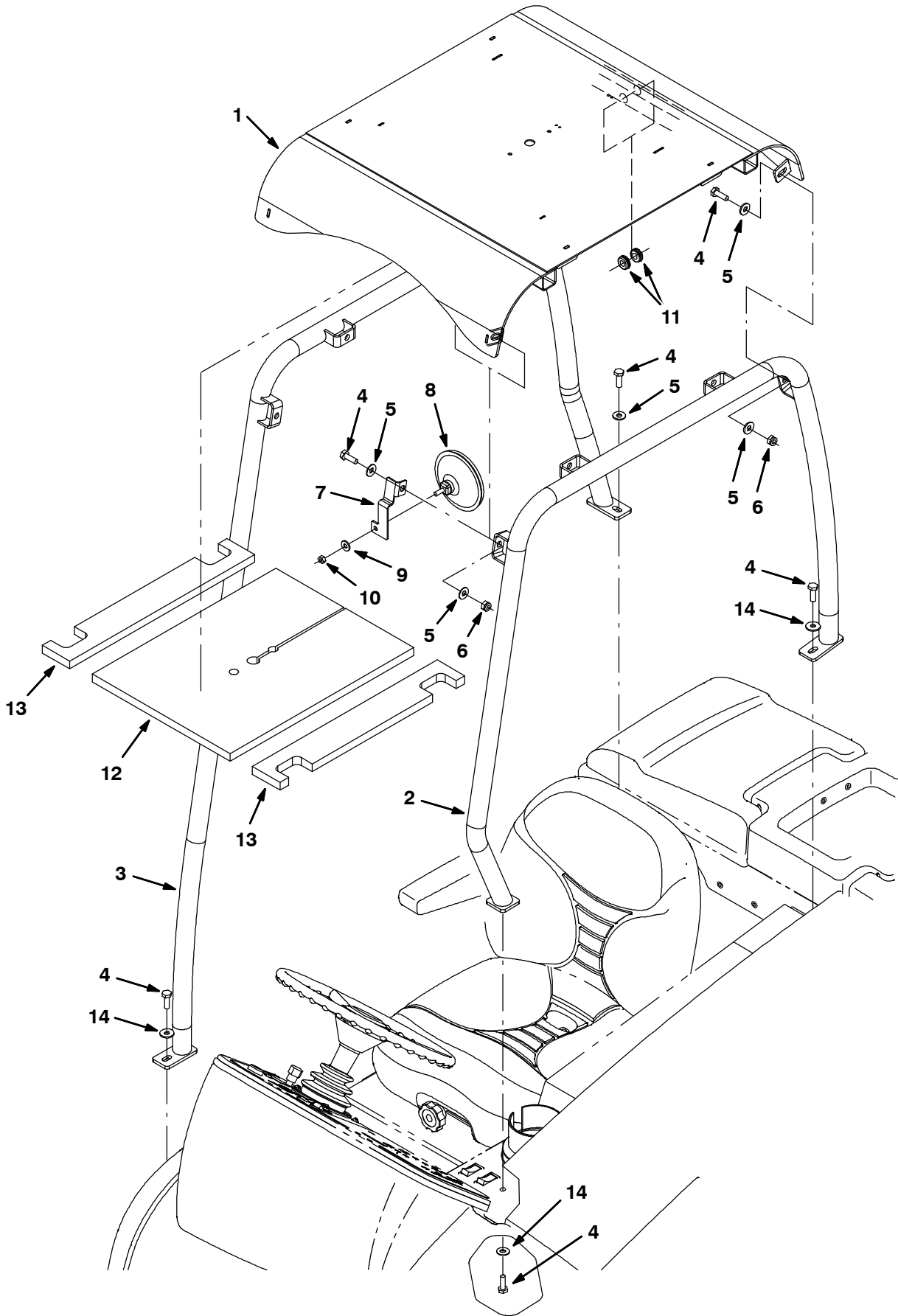
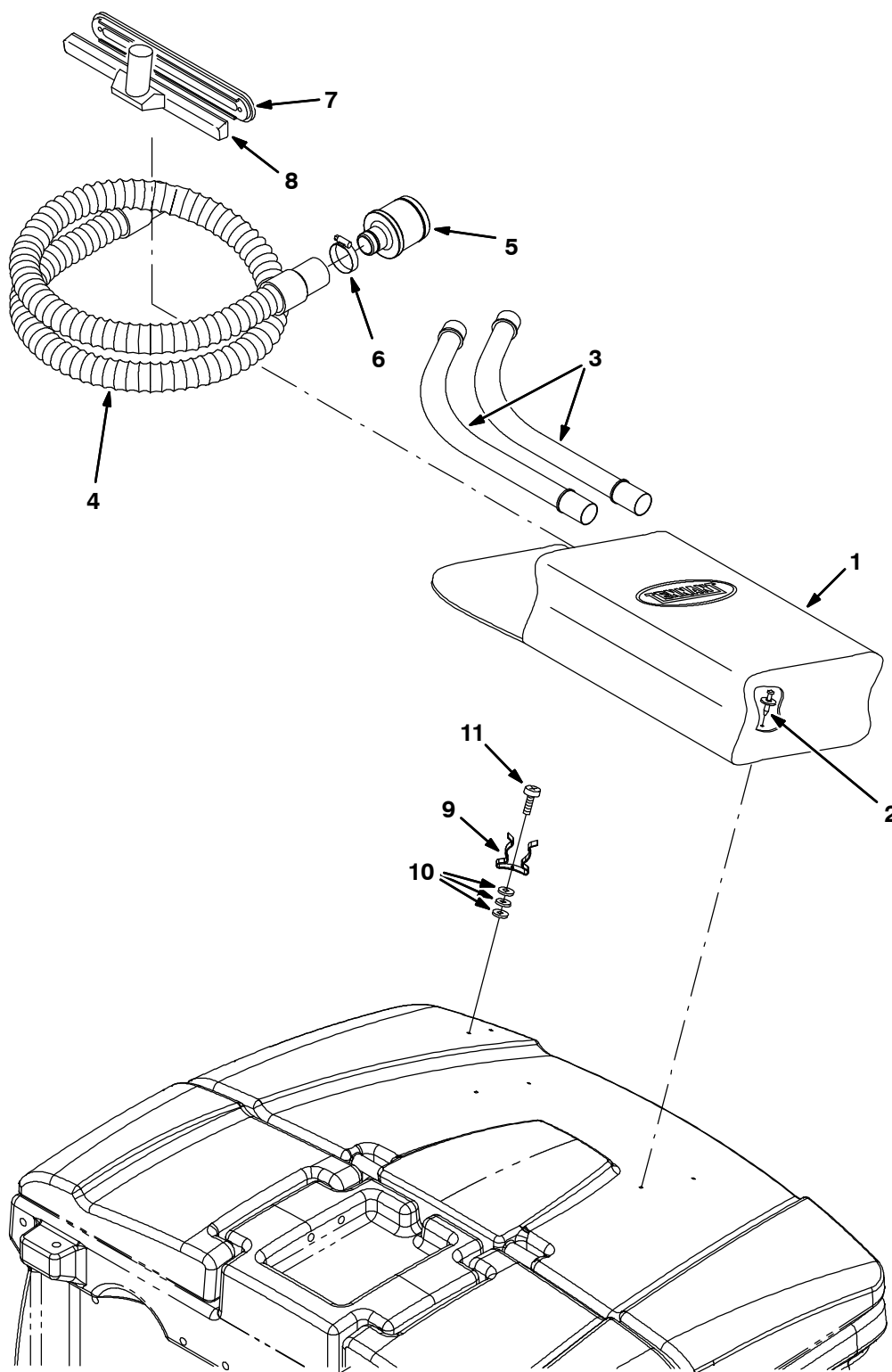


Fig. 26 - Overhead Guard Kit

	Ref.	Part No.	Serial Number	Description	Qty.
▽		9001314	(000000-	) Ohg Kit, Ci [M20 And T20]	1
▲	1	1022276	(000000-	) Guard Wldt, Top, Ohg	1
▲	2	1022265	(000000-	) Tube Wldt, Leg, Ohg, Lh, Pntd	1
▲	3	1022266	(000000-	) Tube Wldt, Leg, Ohg, Rh, Pntd	1
▲	4	03192	(000000-	) Screw, Hex, M10 X 1.5 X 30, 8.8	12
▲	5	32492	(000000-	) Washer, Flat, 0.38 Std	17
▲	6	41430	(000000-	) Nut, Hex, Lock, M10 X 1.5, NI	8
▲	7	1023879	(000000-	) Bracket, Mtg, Mirror, Rearview	1
▲	8	1050295	(000000-	) Mirror, Convex, 0.50D	1
▲	9	32491	(000000-	) Washer, Flat, 0.31, Std	1
▲	10	19313	(000000-	) Nut, Hex, Std, .31-18	1
▲	11	10632-17	(000000-	) Grommet, Rbr, 0.50id, F/0.8h, .12 Matl	2
▲	12	1032830	(000000-	) Insulation	1
▲	13	1032831	(000000-	) Insulation	2
▲	14	1014563	(000000-	) Washer, Flat, 0.40b 1.12d .12, Ss	3

Fig. 27 - Vacuum Wand Kit

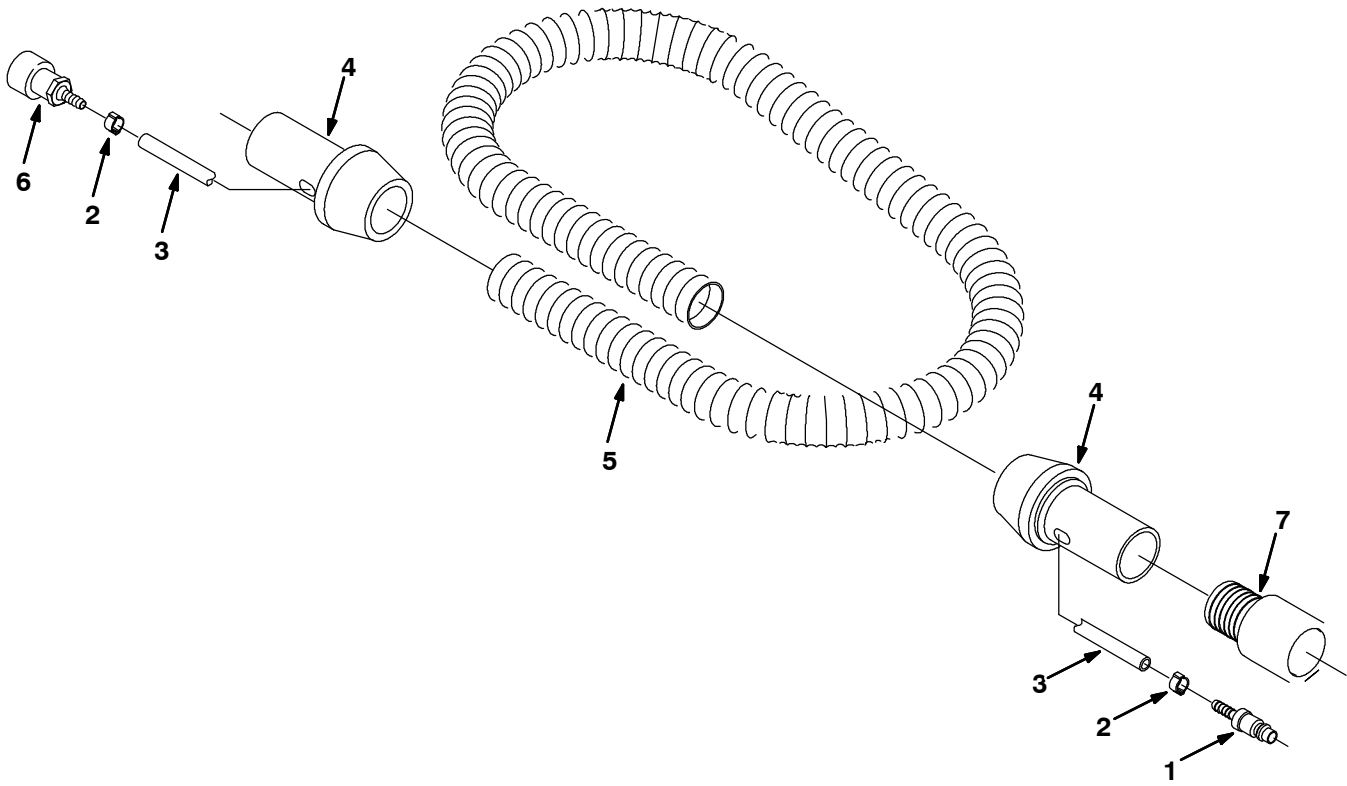




**Fig. 27 - Vacuum Wand Kit**

	<b>Ref.</b>	<b>Part No.</b>	<b>Serial Number</b>	<b>Description</b>	<b>Qty.</b>
▽		9003134	(000000-	) Wand Kit, Vac, Sqge, Ci [T20]	1
▲	1	65580	(000000-	) Bag, Power	1
▲	2	72968	(000000-	) Rivet, Plstc, .250 X 0.898	4
▲	3	63448	(000000-	) Tube, Wand, Vacuum, Metal [1pick=1box]	1
▲	4	86767	(000000-	) Hose Assy, W/2cuff, 1.5d 90l 1.5/1.5	1
▲	5	1029396	(000000-	) Fitting, Alm, Str, Bm24/Bm48	1
▲	6	11531	(000000-	) Clamp, Hose, Wormdrive, 1.06-2.00d, .56w	1
▲	7	63430	(000000-	) Shoe, Plstc, Sqge, 14.0	1
▲	8	63451	(000000-	) Nozzle, Wand, Plstc, 14.0lg	1
▲	9	67004	(000000-	) Clip, Grip, Finger, 1.00-1.88d White,Vyl	2
▲	10	19064	(000000-	) Washer, Flat, #06	6
▲	11	55845	(000000-	) Screw, Hex, M5 X 0.8 X 16, Fmg	2

Fig. 28 - Power Wand Hose Assembly



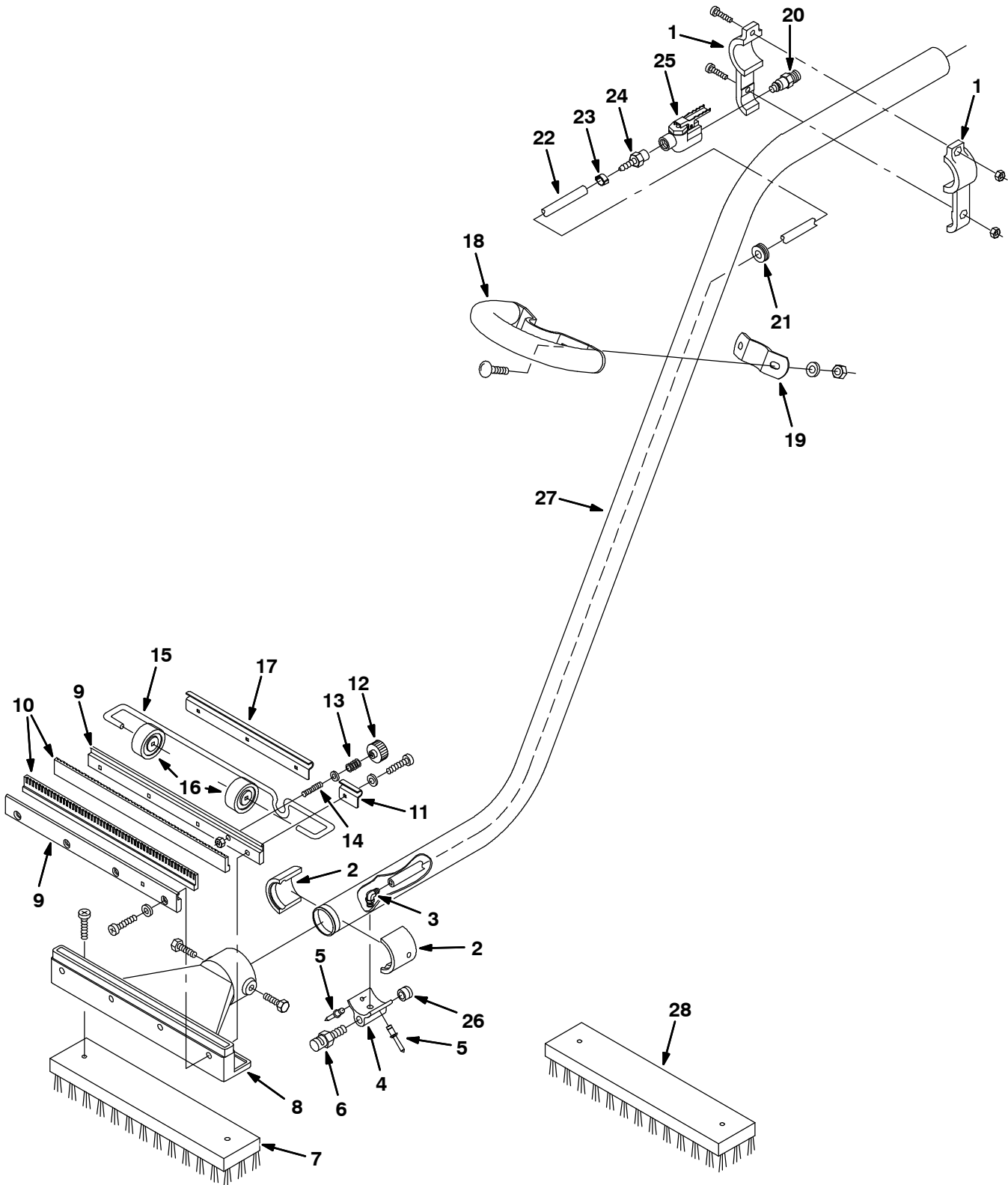
**Fig. 28 - Power Wand Hose Assembly**

NOTE: Power Wand Kit, Tennant Part Number 9003138, includes; Fig. 28, Fig. 29, and Fig. 30.

NOTE: Power Wand Kit with spray nozzle, Tennant Part Number 9003137, includes; Fig. 28, Fig. 29, and Fig. 31.

	<b>Tennant</b>	<b>Machine</b>			
<b>Ref.</b>	<b>Part No.</b>	<b>Serial Number</b>		<b>Description</b>	<b>Qty.</b>
▽	65341	(000000-	)	Hose Assy, Wand, Power	1
▲ 1	578318000	(000000-	)	Fitting, Stl, Qdc, Bm04	1
▲ 2	578160000	(000000-	)	Clamp, Hose, Ear, 11-13mm, Ss	2
▲ 3	578820000	(000000-	)	Hose, Pvc, Brd, 0.25id 0.44od 157.2l,Clr	1
▲ 4	578072000	(000000-	)	Cuff, Swivel, 1.5 Blk	2
▲ 5	578276000	(000000-	)	Hose, Vacuum, 1.50id X 10ft, Gray	1
▲ 6	578071000	(000000-	)	Fitting, Brs, Qdc, Bm04/Pf04	1
7	1029396	(000000-	)	Fitting, Alm, Str, Bm24/Bm48	1

Fig. 29 - Power Wand Assembly



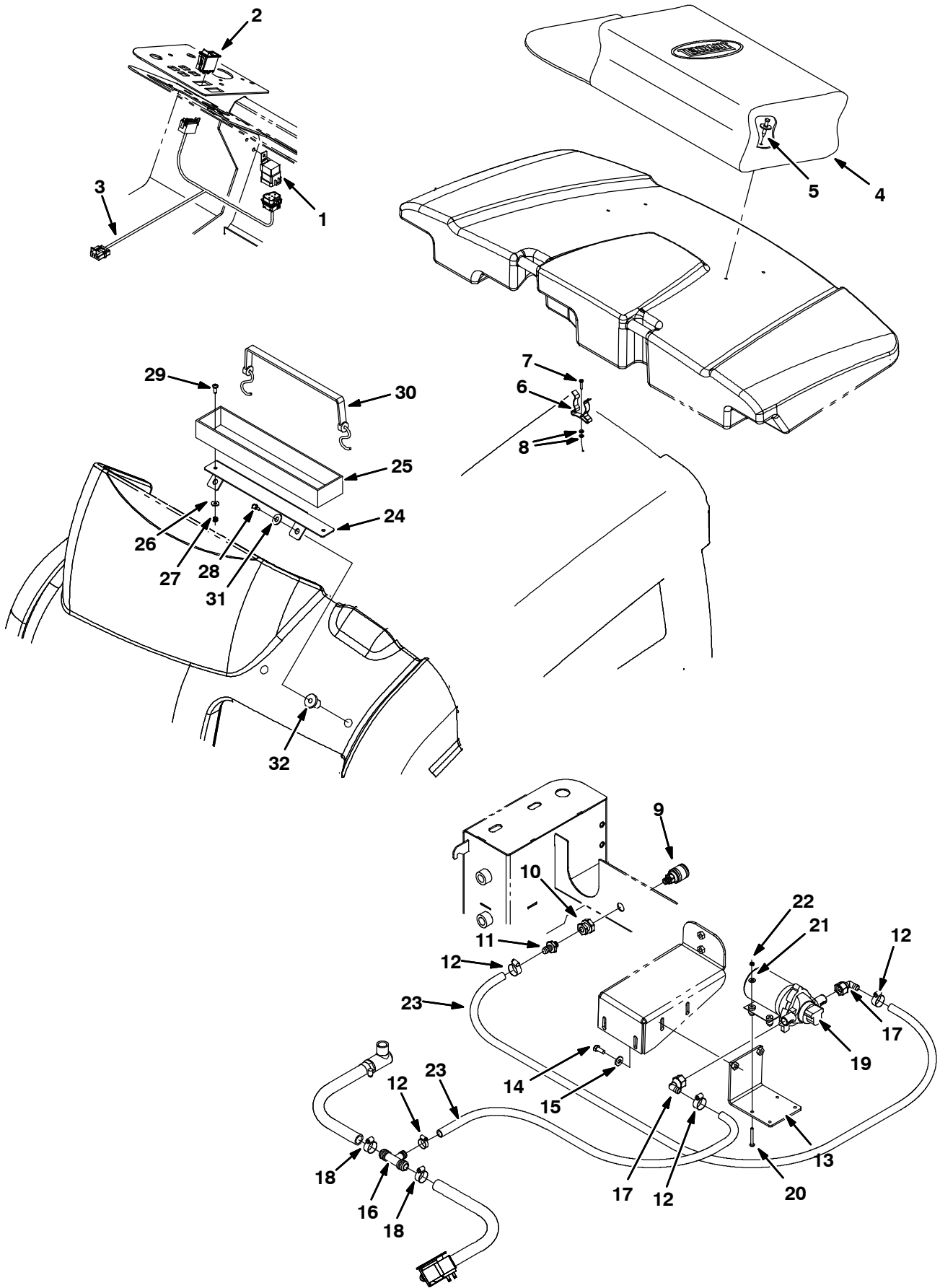
**Fig. 29 - Power Wand Assembly**

NOTE: Power Wand Kit, Tennant Part Number 9003138, includes; Fig. 28, Fig. 29, and Fig. 30.

NOTE: Power Wand Kit with spray nozzle, Tennant Part Number 9003137, includes; Fig. 28, Fig. 29, and Fig. 31.

Ref.	Tennant Part No.	Machine Serial Number	Description	Qty.
▽	65340	(000000-	) Wand Assy, Power	1
▲ 1	578077000	(000000-	) Bracket, Wand, Valve Mtg	1
▲ 2	578061000	(000000-	) Adapter, Head / Wand [17b/E]	2
▲ 3	578214000	(000000-	) Fitting, Plstc, E90, Bm04/Pm02	1
▲ 4	579112	(000000-	) Fitting Spray Nozzle Adapter	1
▲ 5	602036000	(000000-	) Rivet, Blind [S2500 Drvblock]	2
▲ 6	578066000	(000000-	) Fitting, Brs, Tip [75, .125k-Jet]	1
▲ 7	65610	(000000-	) Brush, Power Wand, W/ Fastener, Pyp	1
▲ 8	578063000	(000000-	) Head, Wand [17b/E]	1
▲ 9	578078000	(000000-	) Retainer, Sqge, Wand [17b/E]	2
▲ 10	578074000	(000000-	) Blade, Sqge, 300.8mml, Wand [17b/E, G]	2
▲ 11	578124000	(000000-	) Bracket, Axle, 1 Hole [17b/E]	1
▲ 12	578439	(000000-	) Nut, Thumb, M6 X 1.0, 30d	1
▲ 13	578228000	(000000-	) Spring, Cmpr, 0.40od .04wir 00.6l, Ss	1
▲ 14	578143000	(000000-	) Screw, Set, M6 X 1.00 X 40, Ss [Cuppt]	1
▲ 15	578126000	(000000-	) Axle, Wand [17b/E]	1
▲ 16	578125000	(000000-	) Wheel, 41.3d 19.1w, Rbr	2
▲ 17	578123000	(000000-	) Bracket, Axle, 3 Hole [17b/E]	1
▲ 18	578155000	(000000-	) Handle Wldt, Wand	1
▲ 19	578154000	(000000-	) Bracket, Wand, Handle	1
▲ 20	578091000	(000000-	) Fitting, Brs, Qdc, Pm04, Plug	1
▲ 21	578164000	(000000-	) Grommet, 0.38id, F/0.6h, .06 Matl	1
▲ 22	578821000	(000000-	) Hose, Pyu, 0.25id 0.38od 1220mml, Blk	1
▲ 23	578161000	(000000-	) Clamp, Hose, Ear, 8-11mm, Ss	2
▲ 24	578094000	(000000-	) Fitting, Nyl, Str, Bm04/Pm04	1
▲ 25	578064000	(000000-	) Valve, Cntrl, Water	1
▲ 26	150208	(000000-	) Fitting, Brs, Str, Pm02, Plug [Skhd]	1
▲ 27	578060000	(000000-	) Wand, Dbl Bend, 38.1mmd	1
▲ 28	65582	(000000-	) Brush, Power Wand, W/ Fastener, Abr	1

**Fig. 30 - Power Wand Pump and Mount Group**

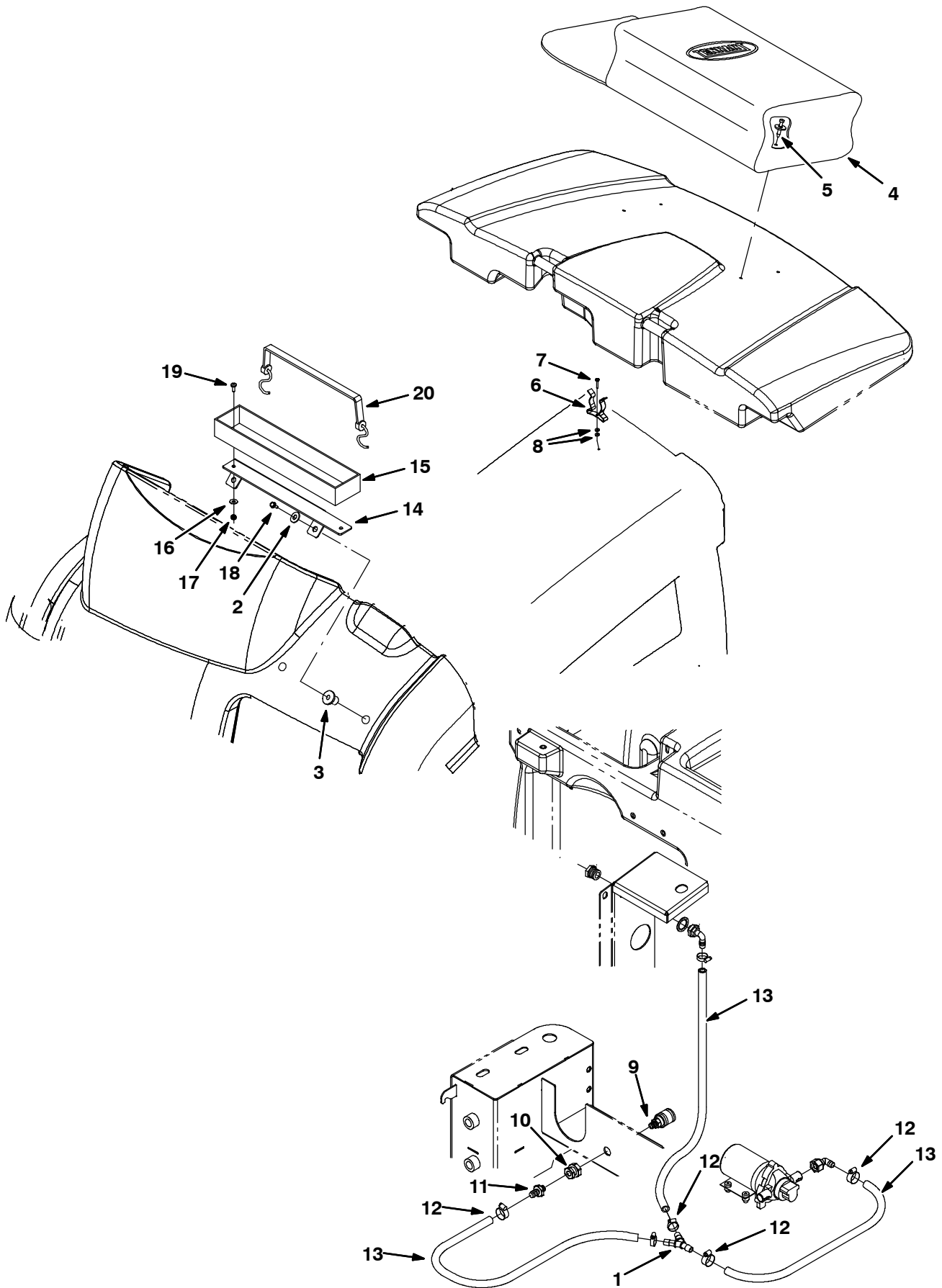


**Fig. 30 - Power Wand Pump and Mount Group**

NOTE: Power Wand Kit, Tennant Part Number 9003138, includes; Fig. 28, Fig. 29, and Fig. 30.

Ref.	Part No.	Serial Number	Description	Qty.
1	56186	(000000-	) Relay, 12vdc, 040a, Spdt No	1
2	398500	(000000-	) Switch, Rocker, Dpdt, On / None / On	1
3	1021881	(000000-	) Harness, Spray, Nozzle	1
4	65580	(000000-	) Bag, Power	1
5	72968	(000000-	) Rivet, Plstc, .250d X 0.90	4
6	67004	(000000-	) Clip, Grip, Finger, 1.00-1.88d White,Vyl	1
7	09228	(000000-	) Screw, Hex, M4 X 0.7 X 20, 8.8	1
8	19064	(000000-	) Washer, Flat, #06	2
9	65342	(000000-	) Fitting, Brs, Qdc, Pm04/Qf06	1
10	78122	(000000-	) Fitting, Brs, Str, Pf04/Pf04, Bh	1
11	48610	(000000-	) Fitting, Plstc, Str, Bm08/Pm04	1
12	54333	(000000-	) Clamp, Hose, Wormdrive, 0.31-0.88d, .31w	4
13	1023585	(000000-	) Bracket, Mtg, Pump	1
14	09740	(000000-	) Screw, Hex, M8 X 1.25 X 20, Ss	2
15	32491	(000000-	) Washer, Flat, 0.31, Std	2
16	385644	(000000-	) Fitting, Plstc, Tee, Bm08/Bm12/Bm12, Br	1
17	1018499	(000000-	) Fitting, Plstc, E90, Bm08/Pf08s, Swivel	2
18	63810	(000000-	) Clamp, Hose, Wormdrive, 0.56-1.06d, .56w	2
19	1026743	(000000-	) Pump, Diaphragm	1
20	06939	(000000-	) Screw, Pan, M5 X 0.80 X 45, 4.8	4
21	19066	(000000-	) Washer, Flat, #10	4
22	06549	(000000-	) Nut, Hex, Lock, M5 X 0.80, NI	4
23	1011837	(000000-	) Hose, Afmkt, Pvc, Brd, 0.50id, 12ft, Clr	1
24	1030407	(000000-	) Bracket, Mtg, Wand	1
25	61212	(000000-	) Tray	1
26	01684	(000000-	) Washer,Flat 0.25, Ss	2
27	08712	(000000-	) Nut, Hex, Lock, M6 X 1.00, Ss, NI	2
28	21198	(000000-	) Screw, Hex, .38-16 X 1.25, G5	2
29	367770	(000000-	) Screw, Pan, M6 X 1.0 X 16, Ss	2
30	57769	(000000-	) Strap, Rbr, 13.2l [2/S Hooks]	1
31	32492	(000000-	) Washer, Flat, 0.38, Std	2
32	397648	(000000-	) Nut, Isolator, .38-16 Wall Th .015-.437	2

Fig. 31 - Power Wand Pump and Mount Group with Spray Nozzle





**Fig. 31 - Power Wand Pump and Mount Group with Spray Nozzle**

NOTE: Power Wand Kit with spray nozzle, Tennant Part Number 9003137, includes; Fig. 28, Fig. 29, and Fig. 31.

Ref.	Part No.	Serial Number	Description	Qty.
1	1010668	(000000-	) Fitting, Plstc, Y, Bm08/Bm08/Bm08, Nyl	1
2	32492	(000000-	) Washer, Flat, 0.38, Std	2
3	397648	(000000-	) Nut, Isolator, .38-16 Wall Th .015-.437	2
4	65580	(000000-	) Bag, Power	1
5	72968	(000000-	) Rivet, Plstc, .250d X 0.90	4
6	67004	(000000-	) Clip, Grip, Finger, 1.00-1.88d White,Vyl	1
7	09228	(000000-	) Screw, Hex, M4 X 0.7 X 20, 8.8	1
8	19064	(000000-	) Washer, Flat, #06	2
9	65342	(000000-	) Fitting, Brs, Qdc, Pm04/Qf06	1
10	78122	(000000-	) Fitting, Brs, Str, Pf04/Pf04, Bh	1
11	48610	(000000-	) Fitting, Plstc, Str, Bm08/Pm04	1
12	54333	(000000-	) Clamp, Hose, Wormdrive, 0.31-0.88d, .31w	4
13	1011837	(000000-	) Hose, Afmkt, Pvc, Brd, 0.50id, 12ft, Clr	1
14	1030407	(000000-	) Bracket, Mtg, Wand	1
15	61212	(000000-	) Tray	1
16	01684	(000000-	) Washer,Flat 0.25, Ss	2
17	08712	(000000-	) Nut, Hex, Lock, M6 X 1.00, Ss, NI	2
18	21198	(000000-	) Screw, Hex, .38-16 X 1.25, G5	2
19	367770	(000000-	) Screw, Pan, M6 X 1.0 X 16, Ss	2
20	57769	(000000-	) Strap, Rbr, 13.2l [2/S Hooks]	1

Fig. 32 - Spray Nozzle Kit

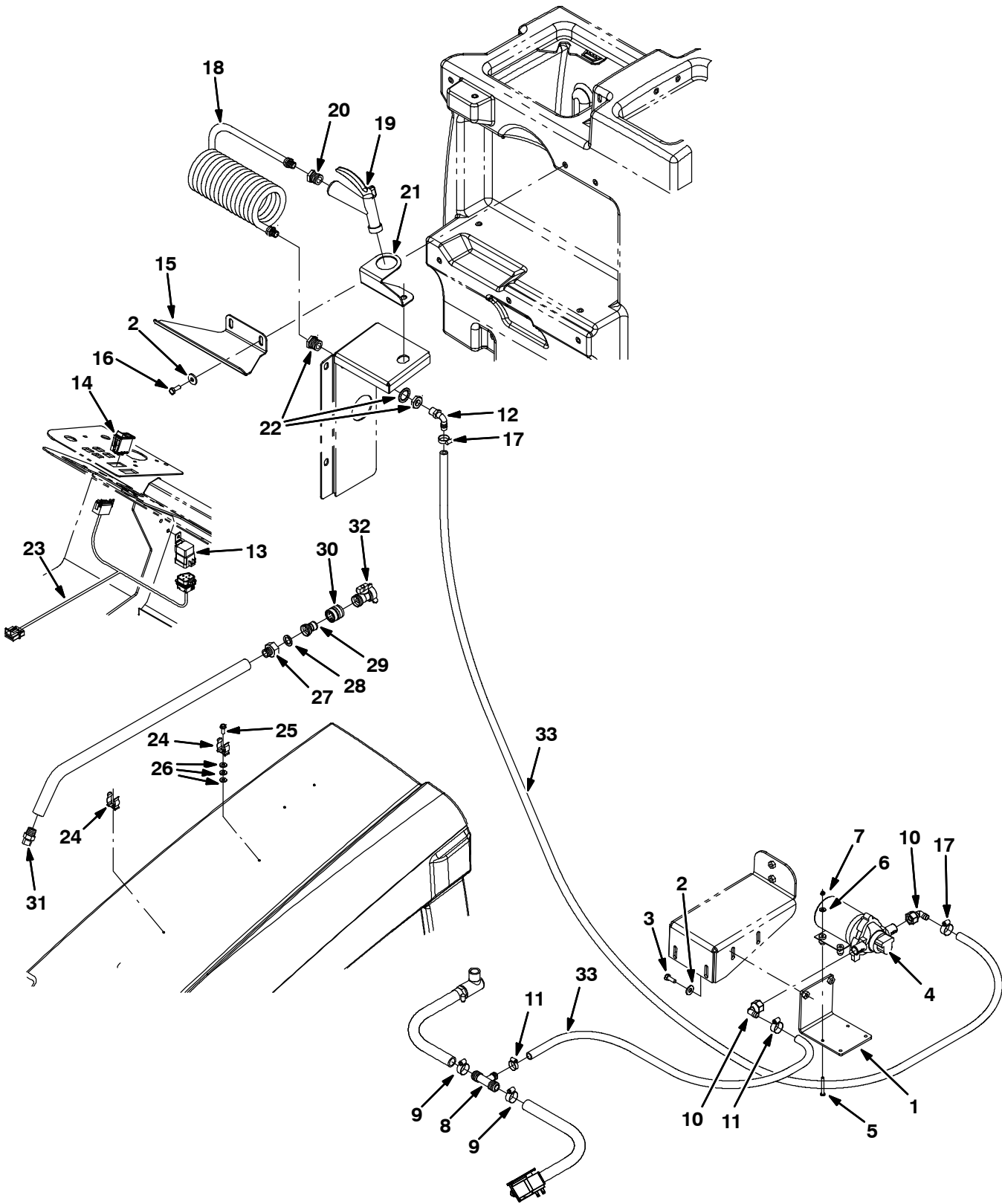


Fig. 32 - Spray Nozzle Kit

Ref.	Part No.	Serial Number	Description	Qty.
▽	9003139	(000000-	) Nozzle kit, Spray, Ci [T20]	1
▲	1 1023585	(000000-	) Bracket, Mtg, Pump	1
▲	2 32491	(000000-	) Washer, Flat, 0.31, Std	2
▲	3 09740	(000000-	) Screw, Hex, M8 X 1.25 X 20, Ss	4
▲	4 1026743	(000000-	) Pump, Diaphragm	1
▲	5 06939	(000000-	) Screw, Pan, M5 X 0.80 X 45, 4.8	4
▲	6 19066	(000000-	) Washer, Flat, #10	4
▲	7 06549	(000000-	) Nut, Hex, Lock, M5 X 0.80, NI	4
▲	8 385644	(000000-	) Fitting, Plstc, Tee, Bm08/Bm12/Bm12, Br	1
▲	9 63810	(000000-	) Clamp, Hose, Wormdrive, 0.56-1.06d, .56w	2
▲	10 1018499	(000000-	) Fitting, Plstc, E90, Bm08/Pf08s, Swivel	1
▲	11 54333	(000000-	) Clamp, Hose, Wormdrive, 0.31-0.88d, .31w	2
▲	12 64778	(000000-	) Fitting, Plstc, E90, Bm08/Pm06	1
▲	13 56186	(000000-	) Relay, 12vdc, 040a, Spdt No	1
▲	14 398500	(000000-	) Switch, Rocker, Dpdt, On / None / On	1
▲	15 1029790	(000000-	) Bracket, Mtg, Spray Wand [Fast, Conv]	1
▲	16 1017218	(000000-	) Washer, Flat, 0.32b 1.00d .12, Ss	2
▲	17 63810	(000000-	) Clamp, Hose, Wormdrive, 0.56-1.06d, .56w	2
▲	18 1019250	(000000-	) Hose, Water, Coil, 0.38id 0.56od	1
▲	19 769785	(000000-	) Nozzle, Spray, Gun	1
▲	20 1027976	(000000-	) Fitting, Brs, Str, Pf06/Pm12	1
▲	21 1027237	(000000-	) Bracket, Mtg, Spray Handle	1
▲	22 1027978	(000000-	) Fitting, Brs, Str, Pf06/Pf06 Bh	1
▲	23 1021881	(000000-	) Harness, Spray, Nozzle	1
▲	24 1029057	(000000-	) Clip, Grip, Finger, .875-1.25	2
▲	25 20394	(000000-	) Screw, Hex, #10-16 X 0.62, Fmg [Ab]	2
▲	26 01683	(000000-	) Washer, Flat, #10, Ss	6
▲	27 375321	(000000-	) Fitting, Brs, Str, Pm08/Garden Hose	1
▲	28 01316	(000000-	) Washer, Flat, 0.66b 1.00d .12, Rbr	1
▲	29 1029153	(000000-	) Fitting, Brs, Spcl [Garden Hose]	1
▲	30 1029155	(000000-	) Coupling, Nozzle, Spray	1
▲	31 1029156	(000000-	) Nozzle	1
▲	32 1029399	(000000-	) Valve, Shutoff	1
▲	33 1011837	(000000-	) Hose, Afmkt, Pvc, Brd, 0.50id, 12ft, Clr	1

Fig. 33 - Spray Nozzle Kit with Power Wand

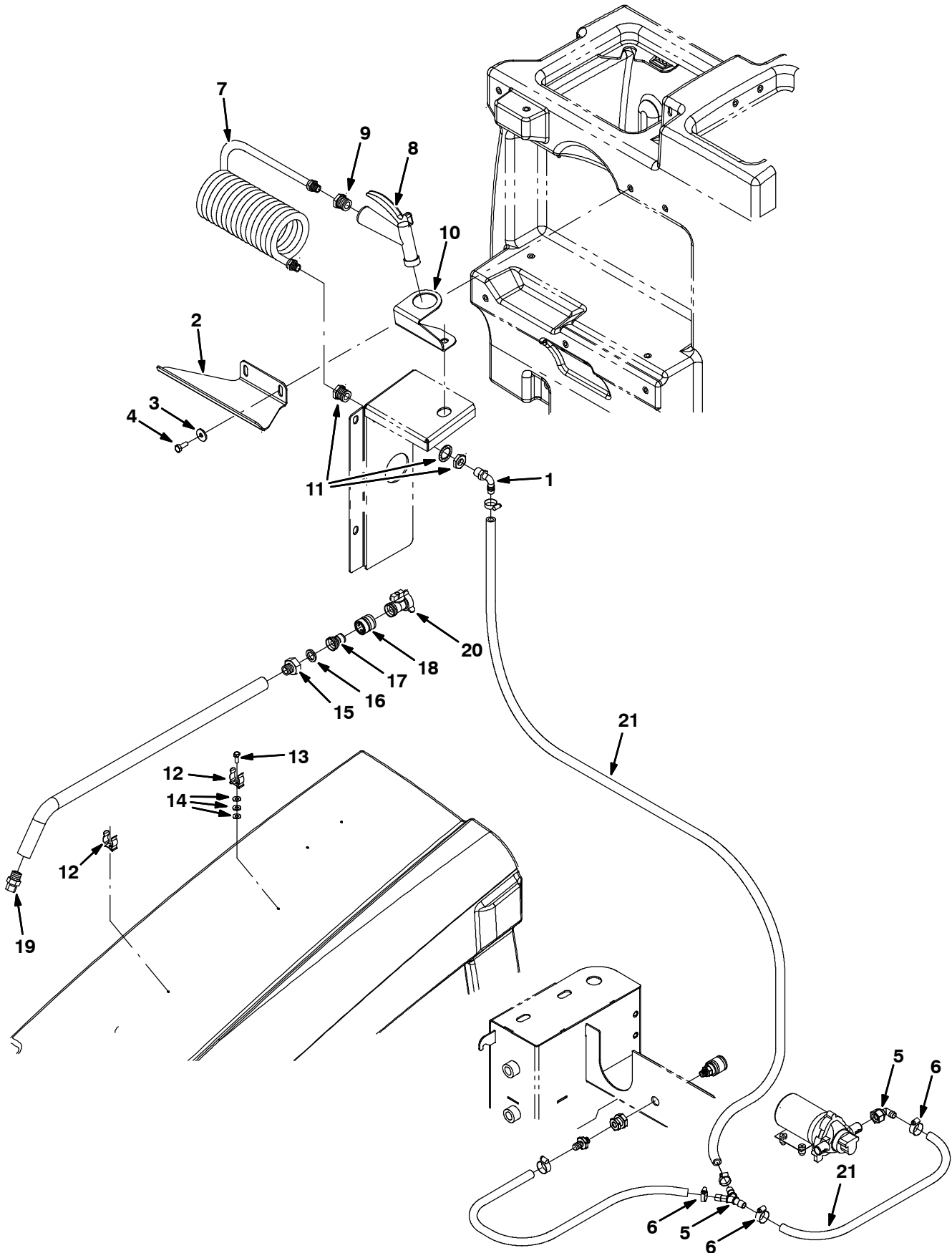
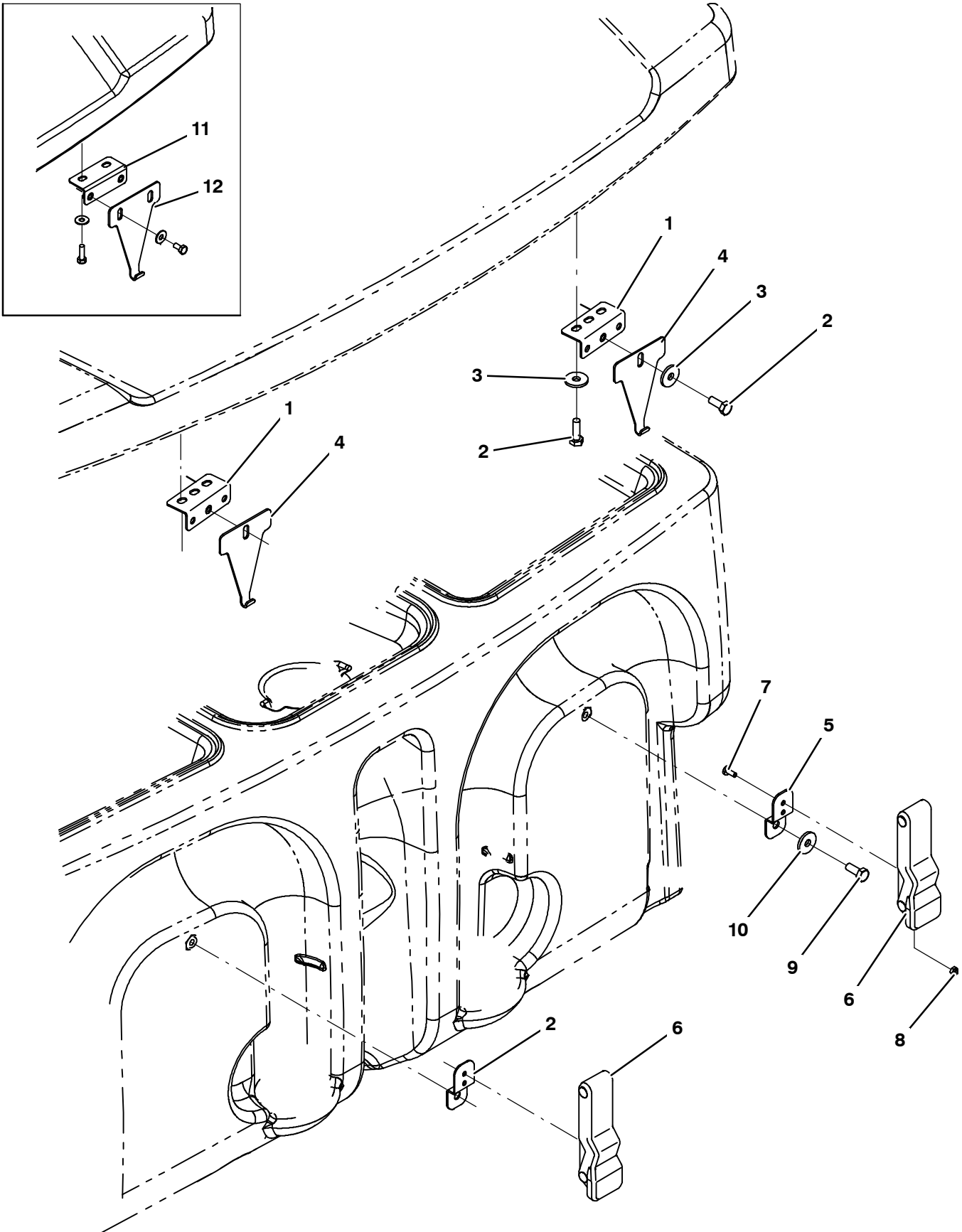


Fig. 33 - Spray Nozzle Kit with Power Wand

	Ref.	Part No.	Serial Number	Description	Qty.
▽		9003282	(000000-	) Nozzle Kit, Spray, W/Pwr Wand, Ci [T20]	1
▲	1	64778	(000000-	) Fitting, Plstc, E90, Bm08/Pm06	1
▲	2	1029790	(000000-	) Bracket, Mtg, Spray Wand [Fast, Conv]	1
▲	3	1017218	(000000-	) Washer, Flat, 0.32b 1.00d .12, Ss	2
▲	4	09740	(000000-	) Screw, Hex, M8 X 1.25 X 20, Ss	2
▲	5	1010668	(000000-	) Fitting, Plstc, Y, Bm08/Bm08/Bm08, Nyl	1
▲	6	63810	(000000-	) Clamp, Hose, Wormdrive, 0.56-1.06d, .56w	2
▲	7	1019250	(000000-	) Hose, Water, Coil, 0.38id 0.56od	1
▲	8	769785	(000000-	) Nozzle, Spray, Gun	1
▲	9	1027976	(000000-	) Fitting, Brs, Str, Pf06/Pm12	1
▲	10	1027237	(000000-	) Bracket, Mtg, Spray Handle	1
▲	11	1027978	(000000-	) Fitting, Brs, Str, Pf06/Pf06 Bh	1
▲	12	1029057	(000000-	) Clip, Grip, Finger, .875-1.25	2
▲	13	20394	(000000-	) Screw, Hex, #10-16 X 0.62, Fmg [Ab]	2
▲	14	01683	(000000-	) Washer, Flat, #10, Ss	6
▲	15	375321	(000000-	) Fitting, Brs, Str, Pm08/Garden Hose	1
▲	16	01316	(000000-	) Washer, Flat, 0.66b 1.00d .12, Rbr	1
▲	17	1029153	(000000-	) Fitting, Brs, Spcl [Garden Hose]	1
▲	18	1029155	(000000-	) Coupling, Nozzle, Spray	1
▲	19	1029156	(000000-	) Nozzle	1
▲	20	1029399	(000000-	) Valve, Shutoff	1
▲	21	1011837	(000000-	) Hose, Afmkt, Pvc, Brd, 0.50id, 12ft, Clr	1

Fig. 34 - Transport Kit



**Fig. 34 - Transport Kit**

	<b>Ref.</b>	<b>Part No.</b>	<b>Serial Number</b>	<b>Description</b>	<b>Qty.</b>
▽		9003143	(000000-	) Transport Kit, Ci [T20]	1
▲	1	1040800	(001717-	) Bracket, Latch, Cover	2
▲	2	09744	(000000-	) Screw, Hex, M6 X 1.0 X 12, Ss	4
▲	3	01684	(000000-	) Washer, Flat, 0.25, Ss	4
▲	4	1040633	(001717-	) Plate, Hook, Latch	2
▲	5	1020526	(000000-	) Bracket, Retaining, Hose	2
▲	6	360824	(000000-	) Latch	2
▲	7	09200	(000000-	) Screw, Pan, M5 X 0.8 X 12, Ss	4
▲	8	09739	(000000-	) Nut, Hex, Lock, M5 X 0.80, NI, Ss	4
▲	9	393135	(000000-	) Screw, Btn, M8 X 1.25 X 20, Blk	2
▲	10	32491	(000000-	) Washer, Flat, 0.31, Std	2
	11	1032869	(000000-001716	) Bracket, Latch, Cover	2
	12	1032884	(000000-001716	) Plate, Hook, Latch	2

**Fig. 35 - Squeegee Guard Kit**

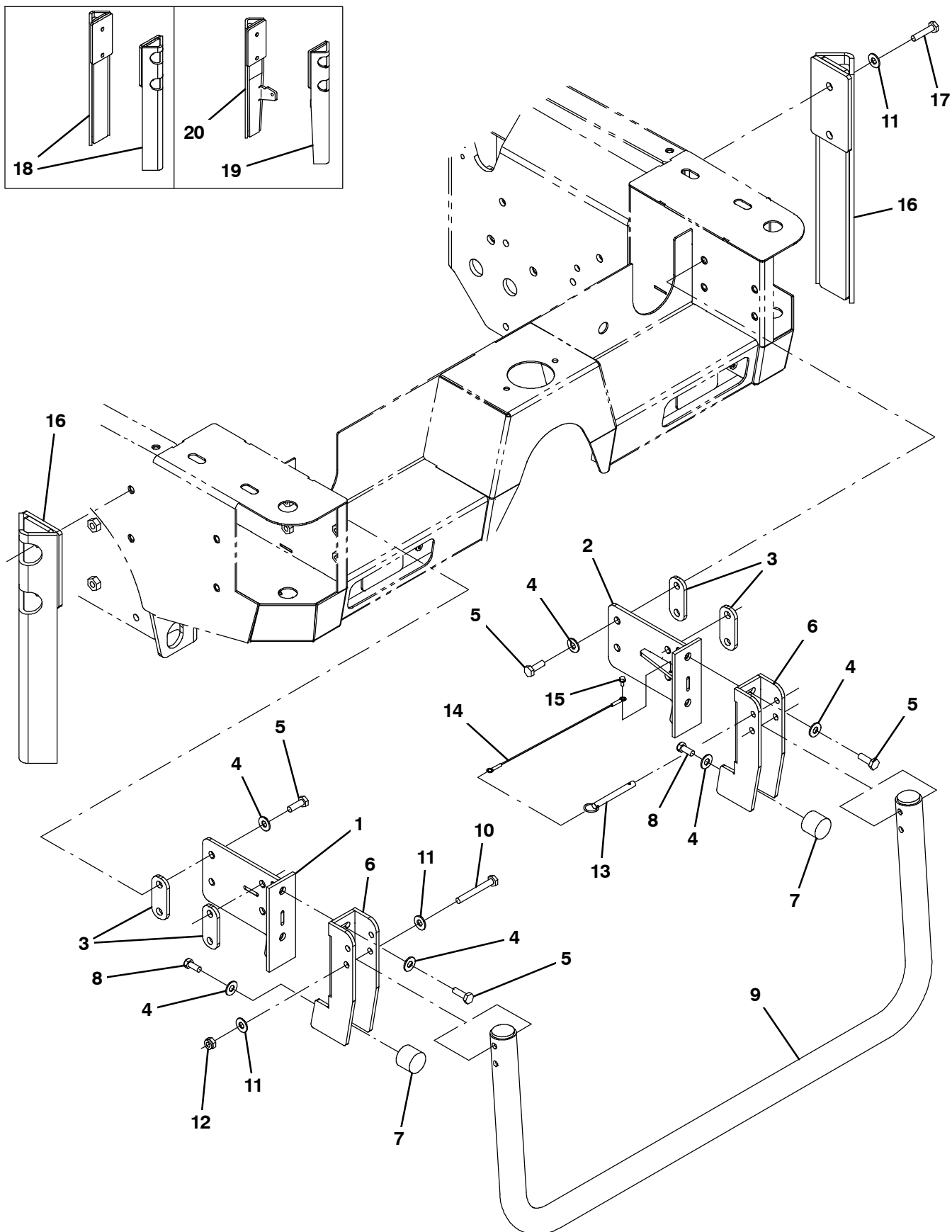
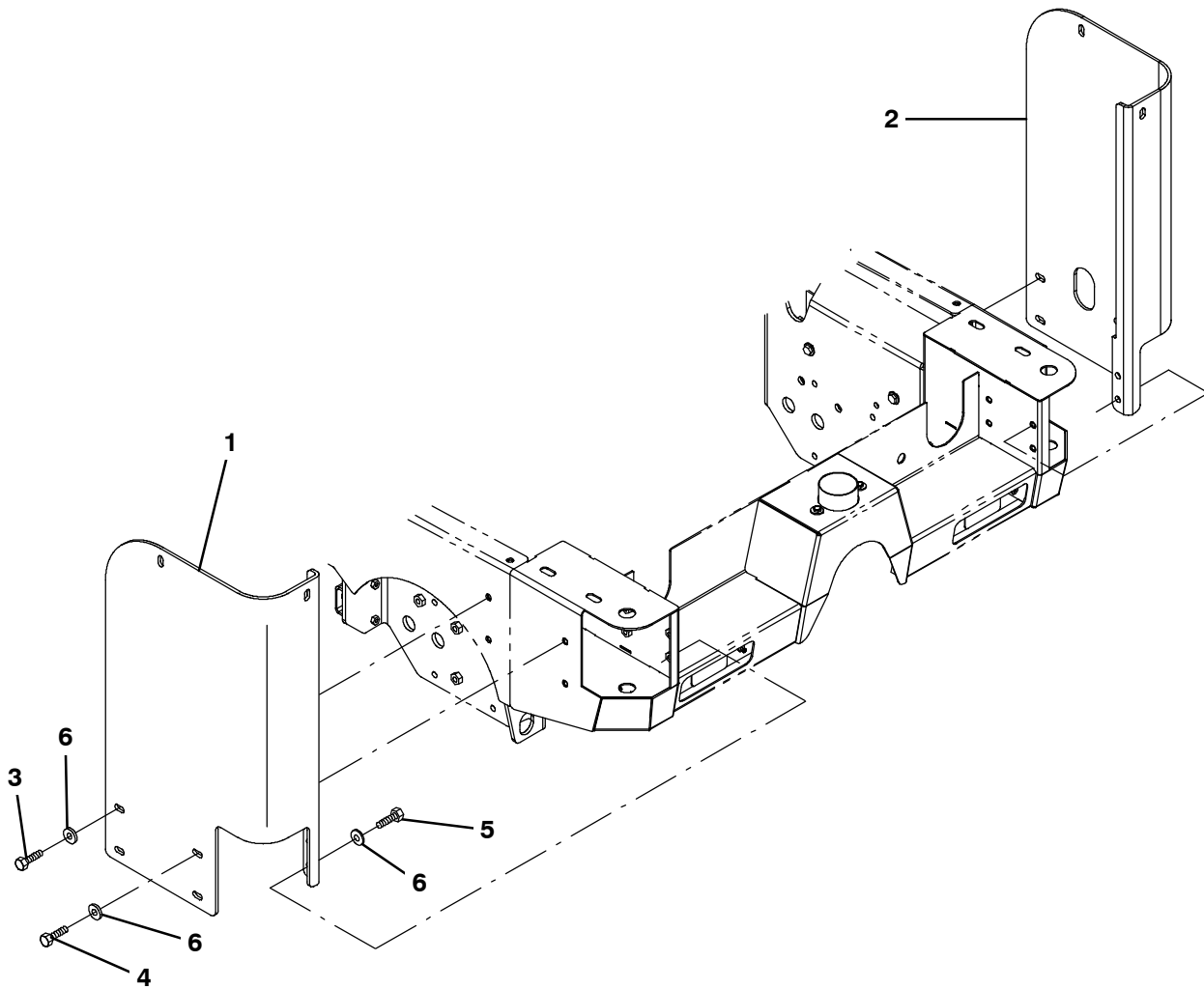




Fig. 35 - Squeegee Guard Kit

Ref.	Part No.	Serial Number	Description	Qty.
▽	9003135	(000000-	) Guard Kit, Sqge, Ci [T20]	1
▲	1 1030557	(000000-	) Support Wldt, Sqge, Lh Rear	1
▲	2 1030503	(000000-	) Support Wldt, Sqge, Rh Rear	1
▲	3 1030522	(000000-	) Link, .25 1.4w 3.2l 2/.5h	4
▲	4 01686	(000000-	) Washer, Flat, 0.44b 1.00d .08, Ss	14
▲	5 12317	(000000-	) Screw, Hex, M10 X 1.5 X 30, Ss	12
▲	6 1030515	(000000-	) Channel Wldt, Guard, Sqge	2
▲	7 1024977	(000000-	) Bumper, Ure, 1.50d 1.25l	2
▲	8 21196	(000000-	) Screw, Hex, .38-16 X 0.88, G5	2
▲	9 1026746	(000000-	) Guard Wldt, Sqge, Rear, Pntd	1
▲	10 06965	(000000-	) Screw, Hex, M10 X 1.5 X 80, 8.8	2
▲	11 32492	(000000-	) Washer, Flat, 0.38, Std	8
▲	12 41430	(000000-	) Nut, Hex, Lock, M10 X 1.5, NI	2
▲	13 369359	(000000-	) Pin, Hitch, .375d X 3.12l, PI	1
▲	14 57702	(000000-	) Cable, Glv .06d 012.0l .26eye /.26eye	1
▲	15 223198	(000000-	) Screw, Hex, M5 X 0.8 X 10, Fmg	1
▲	16 1045444	( xxxxxx-	) Guard Wldt, Sqge [M20/T20/M30]	2
▲	17 06962	(000000-	) Screw, Hex, M10 X 1.5 X 45, 8.8	4
▲	18 1025663	(000000-001689	) Guard Wldt, Sqge Rep.BY1039069	2
▲	19 1040863	(001690-xxxxxx	) Guard Wldt, Sqge [M20/T20 LH, M30 RH]	1
▲	20 1040871	(001690-xxxxxx	) Guard Wldt, Sqge [M20/T20 RH, M30 LH]	1

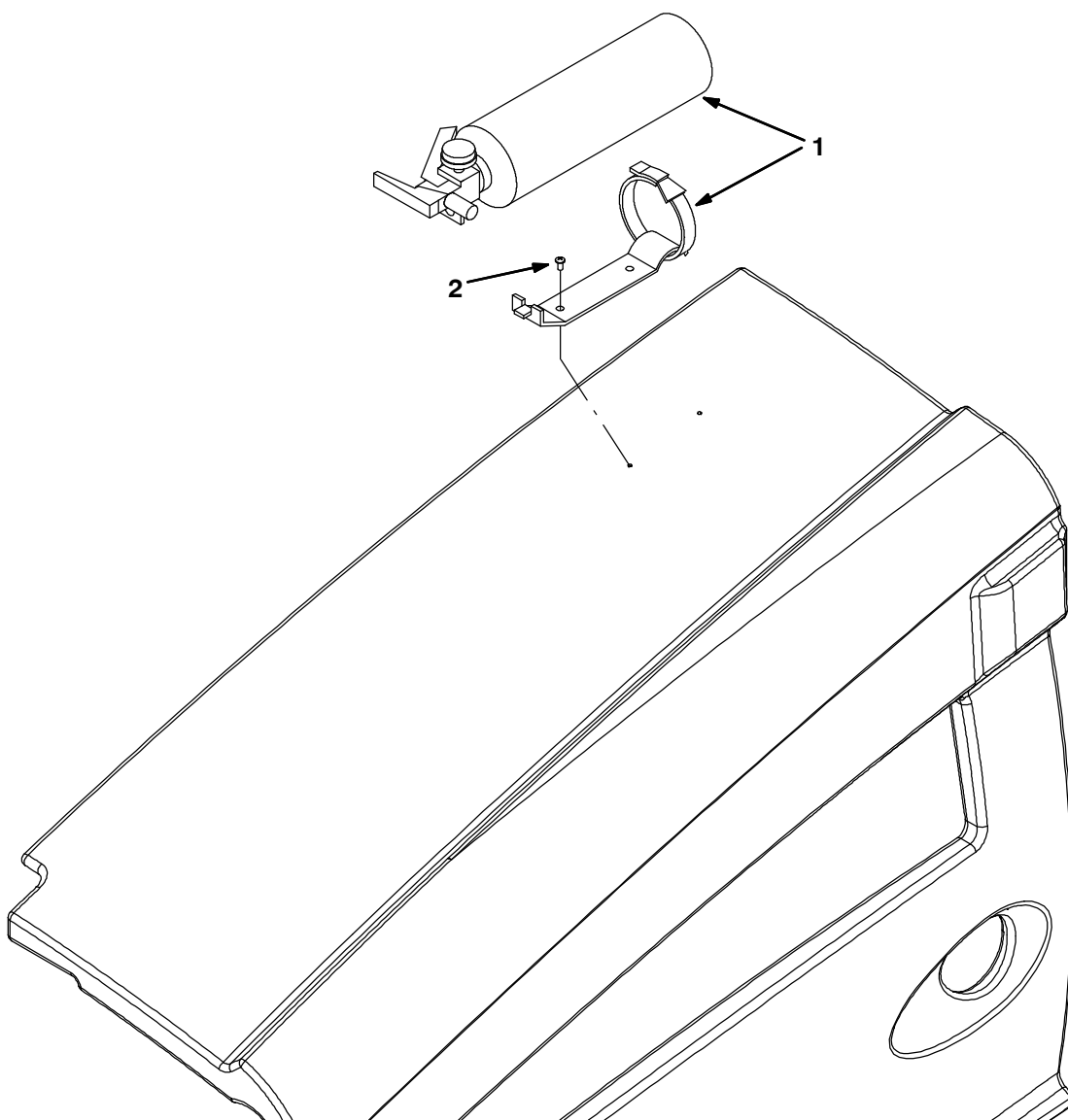
**Fig. 36 - Heavy Duty Bumper Kit**



354537

Ref.	Part No.	Serial Number	Description	Qty.
▽	9003142	(000000-	) Bumper Kit, Hd, Ci [T20]	1
▲	1 1027850	(000000-	) Plate, Bmpr, Lh	1
▲	2 1027588	(000000-	) Plate, Bmpr, Rh	1
▲	3 06962	(000000-	) Screw, Hex, M10 X 1.50 X 45, 8.8	4
▲	4 09028	(000000-	) Screw, Hex, M10 X 1.50 X 25, Ss	4
▲	4 03192	(000000-	) Screw, Hex, M10 X 1.50 X 30, 8.8	4
▲	4 32492	(000000-	) Washer, Flat, 0.38, Std	12

Fig. 37 - Fire Extinguisher Kit



354484

Ref.	Part No.	Serial Number	Description	Qty.
	9001316	(000000-	) Extinguisher Kit, Fire, Ci [M20 And T20]	1
1	25312	(000000-	) Extinguisher, Fire, 2.5 Lb Dry	1
2	382320	(000000-	) Screw, Pan, #12-16 X 0.50, F/ Plstc	2

**Fig. 38 - Documentation Group**

<b>Ref.</b>	<b>Part No.</b>	<b>Serial Number</b>	<b>Description</b>	<b>Qty.</b>
	331470	(000000-	) Manual, Oprtr [T20 Gas/Lpg En]	1
	331472	(000000-	) Manual, Oprtr [T20 Gas/Lpg Es]	1
	331473	(000000-	) Manual, Oprtr [T20 Gas/Lpg Fr]	1
	331471	(000000-	) Manual, Parts [T20 Gas/Lpg En/Jp]	1
	331475	(000000-	) Manual, Service [T20 En]	1
	1035133	(000000-	) Video, Oprtr, Dvd [W/Checklist T20]	1
	372863	(000000-001499	) Manual, Service, Eng[Gm1.6l Em Cert]	1
	371790	(000000-001499	) Manual, Service, Eng [Gm1.6l]	1
	1037749	(000000-	) Instr, Maint, Wall Chart [T20]	1
	9003926	(001500-	) Manual, Eng, Cd-Rom [Tier II,GM1.6L]	1

# SECTION 4

<b>Contents</b>	<b>Page</b>
Fig. 1 - Extended Scrub Pump Breakdown, 1021210 .....	4-2
Fig. 2 - Hydraulic Motor Breakdown, 379609 ...	4-4
Fig. 3 - Hydraulic Pump Breakdown, 1024251 .	4-6
Fig. 4 - Hydraulic Motor Breakdown, 71729 ....	4-8
Fig. 5 - Hydraulic Motor Breakdown, 1029379 .	4-9
Fig. 6 - Hydraulic Motor Breakdown, 53485 ...	4-10
Fig. 7 - Hydraulic Motor Breakdown, 1024407	4-11
Fig. 8 - Hydraulic Valve Breakdown, 1018938 .	4-12
Fig. 9 - Hydraulic Valve Breakdown, 1020394 .	4-14
Fig. 10 - Hydraulic Valve Breakdown, 1037805 .	4-16
Fig. 11 - Hydraulic Steering Valve Breakdown, 1024260 .....	4-18
Fig. 12 - Metering Solution Pump Breakdown, 73260 .....	4-20
Fig. 13 - Water Pump Breakdown, 1026743 ...	4-21
Fig. 14 - FaST Injector Assembly Breakdown, 9004515 .....	4-22

**Fig. 1 - Extended Scrub Pump Breakdown, 1021210**

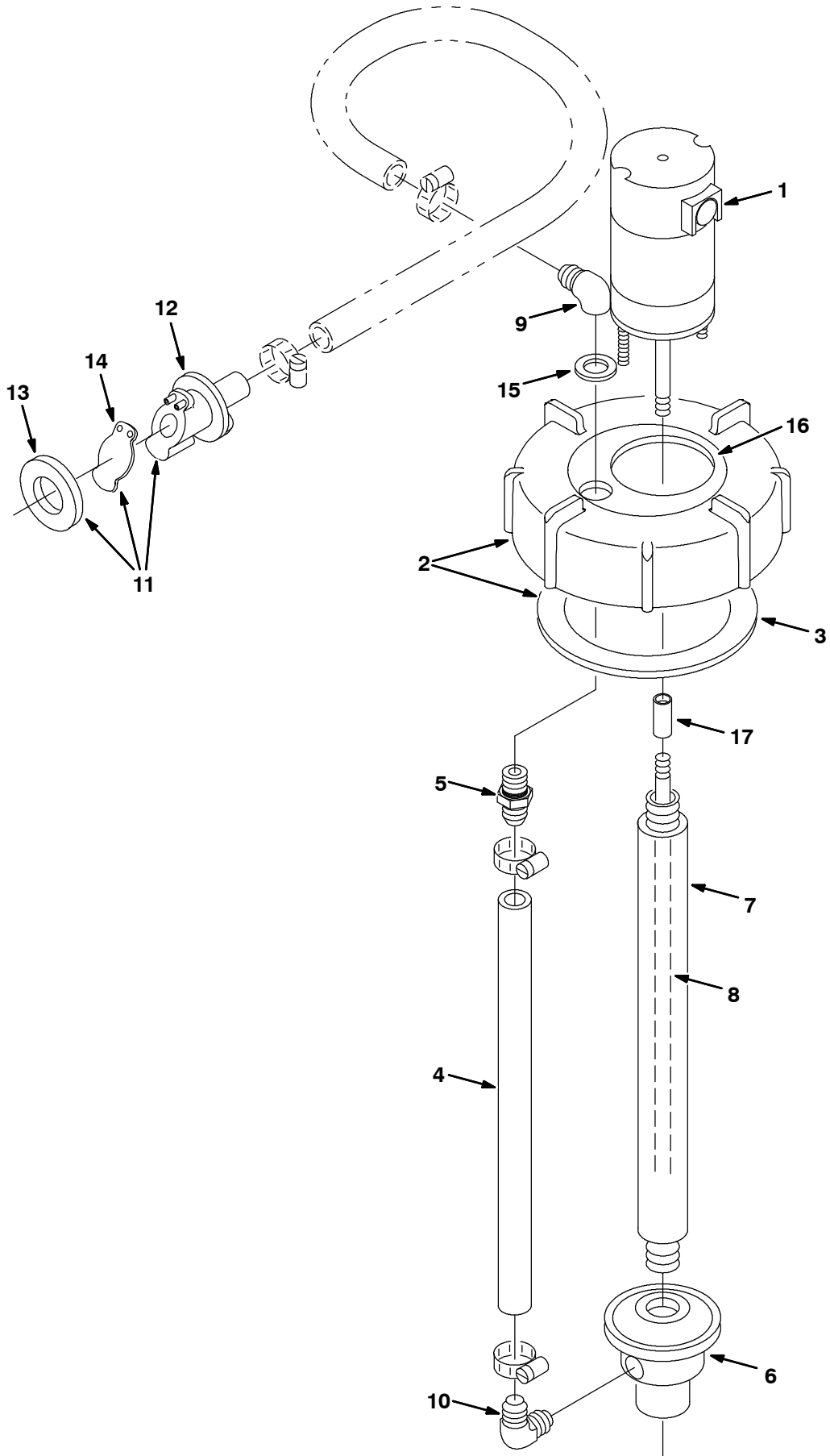


Fig. 1 - Extended Scrub Pump Breakdown, 1021210

	Ref.	Part No.	Serial Number	Description	Qty.
▽		1021210	(000000-	) Pump Assy, Column, Es	1
▲▽	1	9002708	(000000-	) Motor, Ele, 12vdc, Pump, Water	1
▲▲		78829	(000000-	) Kit, Brush, Motor, Ele	1
▲▽	2	24358	(000000-	) Cap Assy, Tank, Drain	1
▲▲	3	1031699	(000000-	) Gasket, 4.05Id 5.29Od .19 [Buna]	1
▲	4	78833	(000000-	) Tube, Vinyl, Pump, Water	1
▲	5	78398	(000000-	) Fitting, Plstc, Str, Bm12/Pm08, Nyl	1
▲	6	78843	(000000-	) Housing Kit, Pump, Water	1
▲	7	78836	(000000-	) Column, Pump, Water	1
▲	8	9002709	(000000-	) Shaft, Pump, Water	1
▲	9	78838	(000000-	) Fitting, E, Gr	1
▲	10	78839	(000000-	) Fitting, Plstc, E90, Pf Bm [Es Pump]	1
▲▽	11	78842	(000000-	) Kit, Valve, Check, Pump, Water	1
▲▲	12	78840	(000000-	) Valve, Check, Pump, Water	1
▲▲	13	73342	(000000-	) Gasket, .25 1.88d 1.0Id [Poron]	1
▲▲	14	78841	(000000-	) Flapper, Valve, Pump, Water	1
▲	15	78830	(000000-	) Washer, Rbr	1
▲	16	22790	(000000-	) Insert, Cap, Mount, Es Pump	1
▲	17	23285	(000000-	) Sleeve, Pump, Water	1

**Fig. 2 - Hydraulic Motor Breakdown, 379609**

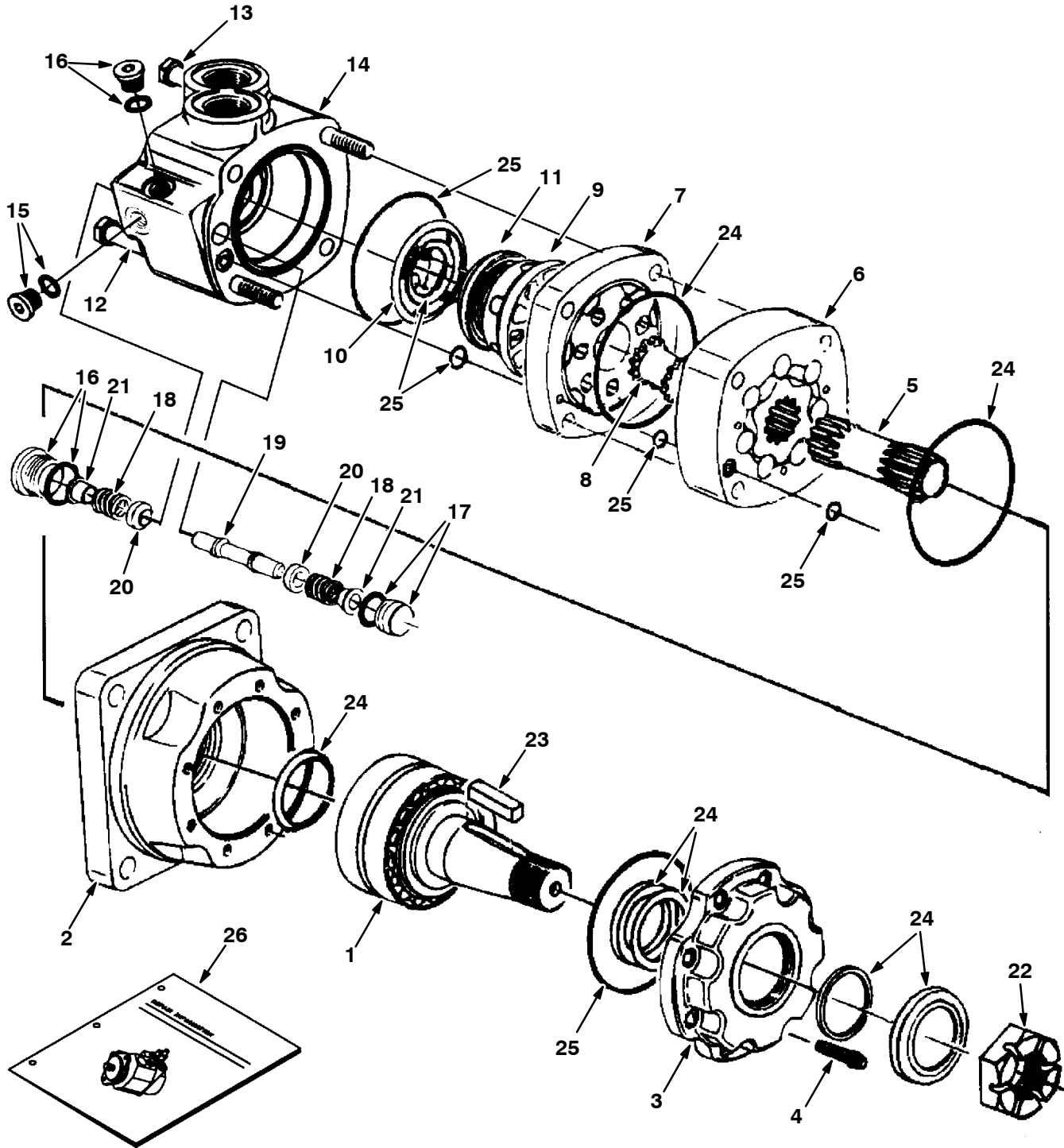




Fig. 2 - Hydraulic Motor Breakdown, 379609

Ref.	Part No.	Serial Number	Description	Qty.
▽	379609	(000000-	) Motor, Hyd, Gear, [Int], 19.0 X 3000	1
▲	1 74165	(000000-	) Shaft, Motor, Hyd	1
▲	2 74166	(000000-	) Housing, Brg, Motor, Hyd	1
▲	3 74167	(000000-	) Retainer, Motor, Hyd	1
▲	4 74168	(000000-	) Screw, Cap, Motor, Hyd	8
▲	5 37616	(000000-	) Drive, Motor, Hyd	1
▲	6 37756	(000000-	) Geroler, Motor, Hyd	1
▲	7 74122	(000000-	) Plate, Valve, Motor, Hyd	1
▲	8 52405	(000000-	) Valve, Motor, Hyd	1
▲	9 74123	(000000-	) Valve, Motor, Hyd	1
▲	10 34178	(000000-	) Spring, Motor, Hyd	2
▲	11 38968	(000000-	) Ring, Motor, Hyd	1
▲	12 74125	(000000-	) Bolt, Motor, Hyd	3
▲	13 38255	(000000-	) Bolt, Motor, Hyd	1
▲	14 373297	(000000-	) Housing, Valve	1
▲	15 373298	(000000-	) Plug	1
▲	16 373260	(000000-	) Plug, Pump, Hyd, Gear	2
▲	17 373299	(000000-	) Plug	1
▲	18 373291	(000000-	) Spring	2
▲	19 373217	(000000-	) Piston, Pump, Hyd, Gear	1
▲	20 373226	(000000-	) Poppet, Pump, Hyd, Gear	2
▲	21 373236	(000000-	) Sleeve, Dashpo, Pump, Hyd, Gear	2
▲	22 45622	(000000-	) Nut, Motor, Hyd	1
▲	23 45623	(000000-	) Key, Motor, Hyd	1
▲	24 79828	(000000-	) Kit, Seal, Motor, Hyd	1
▲	25 33580	(000000-	) Kit, Seal, Motor, Hyd	1
	26 79729	(000000-	) Instr, Repair, Motor, Hyd, Gear	1

**Fig. 3 - Hydraulic Pump Breakdown, 1024251**

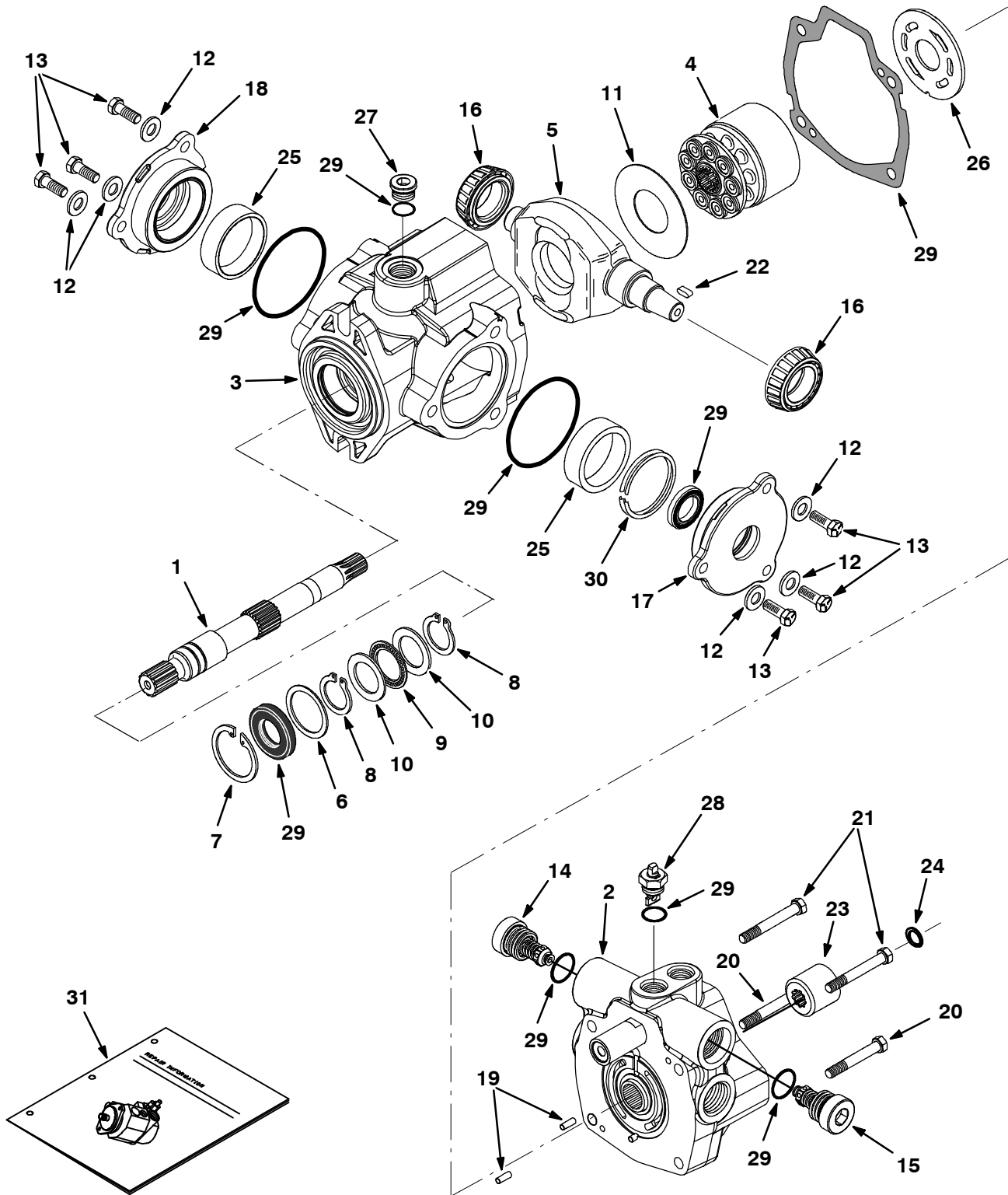
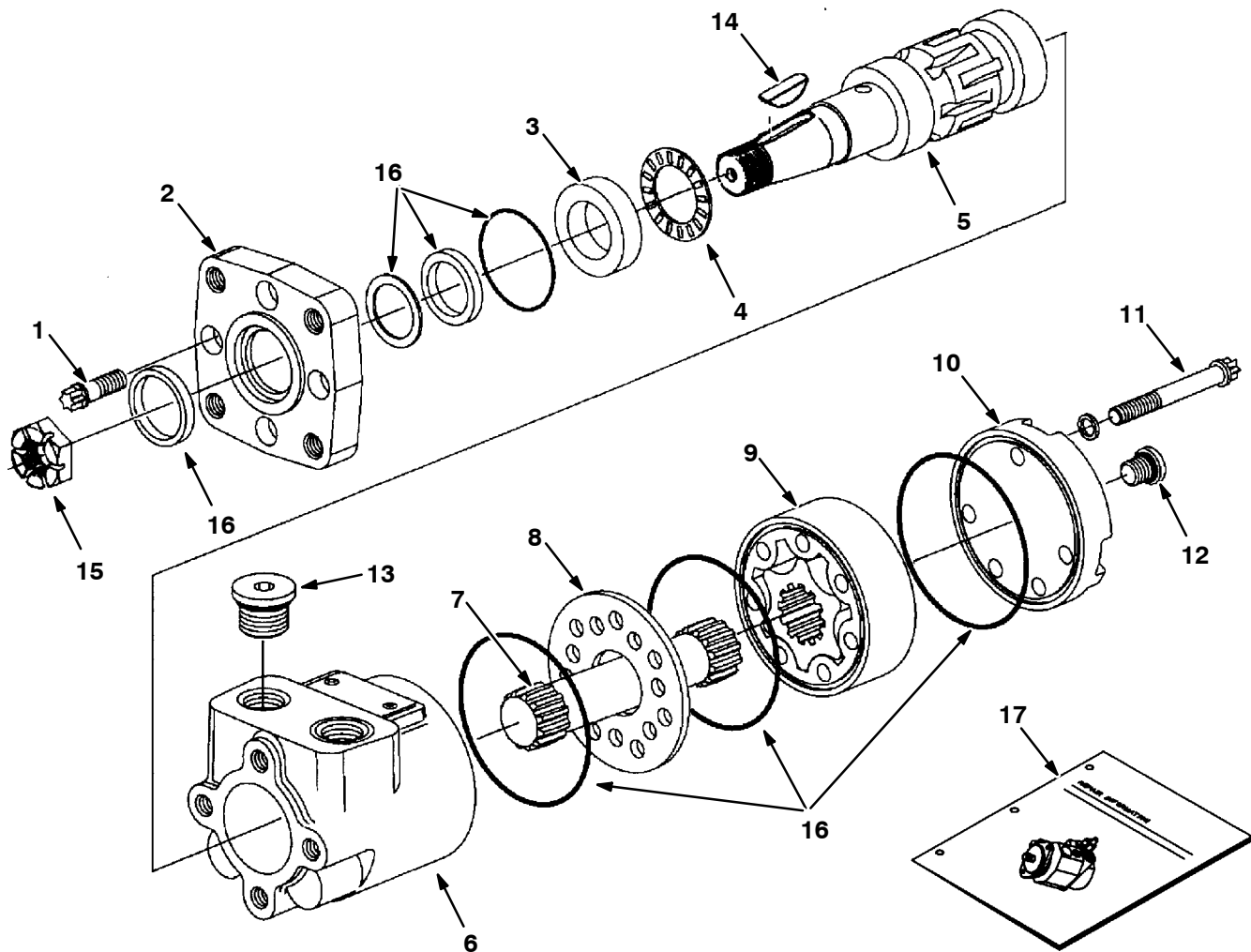


Fig. 3 - Hydraulic Pump Breakdown, 1024251

Ref.	Part No.	Serial Number	Description	Qty.	
▽	1024251	(000000-	) Pump, Hyd, Piston, Var, 1.24 4000, Cw	1	
▲	1	373681	(000000-	) Shaft, Pump	1
▲	2	373427	(000000-	) Cover, End	1
▲	3	373389	(000000-	) Housing	1
▲	4	02706	(000000-	) Pump Kit, Hyd, Rotating [Cessna]	1
▲	5	373493	(000000-	) Plate, Cam	1
▲	6	70096	(000000-	) Washer, Flat, Pump, Hyd	1
▲	7	55926	(000000-	) Ring, Retaining, Pump, Hyd	1
▲	8	373434	(000000-	) Ring, Retaining	2
▲	9	74225	(000000-	) Bearing, Thrust, Pump, Hyd	1
▲	10	74226	(000000-	) Race, Brg, Pump, Hyd	2
▲	11	373327	(000000-	) Insert, Plt, Cam, Pump, Hyd	1
▲	12	373391	(000000-	) Washer, Pump, Hyd [En]	6
▲	13	373346	(000000-	) Screw, Cap	6
▲	14	373494	(000000-	) Valve, Relief, 4000 Psi	1
▲	15	373678	(000000-	) Valve, Relief, 3000 Psi	1
▲	16	373317	(000000-	) Bearing, Cone, Pump, Hyd	2
▲	17	373393	(000000-	) Plate, Cover	1
▲	18	373394	(000000-	) Plate, Cover	1
▲	19	70100	(000000-	) Pin, Dowel, Pump, Hyd	2
▲	20	373347	(000000-	) Screw, Cap	2
▲	21	373348	(000000-	) Screw, Cap	2
▲	22	74237	(000000-	) Key, Shaft, Pump, Hyd	1
▲	23	373679	(000000-	) Coupler, Pump	1
▲	24	373680	(000000-	) Ring, Lock	1
▲	25	373395	(000000-	) Bearing, Cup	2
▲	26	74180	(000000-	) Plate, Valve, Pump, Hyd	1
▲	27	13907	(000000-	) Fitting, Hyd, Plug, Om08	1
▲	28	373413	(000000-	) Actuator, Valve, By-Pass [En]	1
▲	29	373398	(000000-	) Seal Kit, Pump, Hyd	1
▲	30	373402	(000000-	) Shim Kit	1
	31	373429	(000000-	) Instr, Repair, Pump	1

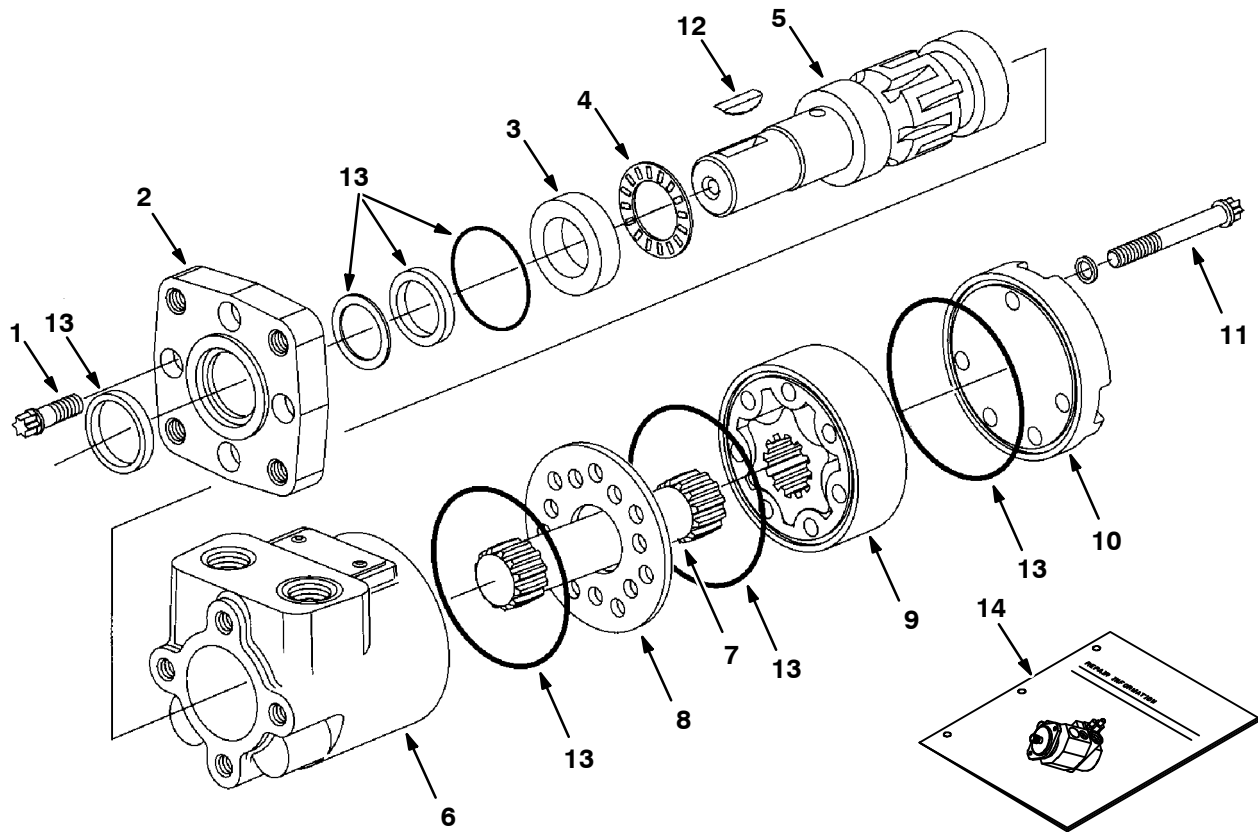
**Fig. 4 - Hydraulic Motor Breakdown, 71729**



09606-09670 - ALL

Ref.	Tennant Part No.	Manufacturer Serial Number	Description	Qty.	
▽	71729	(000000-	) Motor, Hyd Gear In 4.5 B 1500	1	
▲	1	37555	(000000-	) Screw	4
▲	2	31354	(000000-	) Flange Mounting	1
▲	3	16695	(000000-	) Race Thrust	1
▲	4	45628	(000000-	) Thrust Bearing	1
▲	5	31375	(000000-	) Shaft, Output	1
▲	6	74100	(000000-	) Housingl	1
▲	7	31379	(000000-	) Drive	1
▲	8	74094	(000000-	) Spacer Plate	1
▲	9	31383	(000000-	) Gerotor Set	1
▲	10	74095	(000000-	) End Cap	1
▲	11	65241	(000000-	) Cap Screw	5
▲	12	74098	(000000-	) Plug #4	1
▲	13	74099	(000000-	) Plug #10	2
▲	14	00500-15	(000000-	) Key-Wdruff 0.25 1.00	1
▲	15	39527	(000000-	) Nut-Hxslot .75-16 Pltd	1
▲	16	61490	(000000-	) Seal Replmt Kit	1
▲	17	74250	(000000-	) Instr. Repair Info, Motor	1

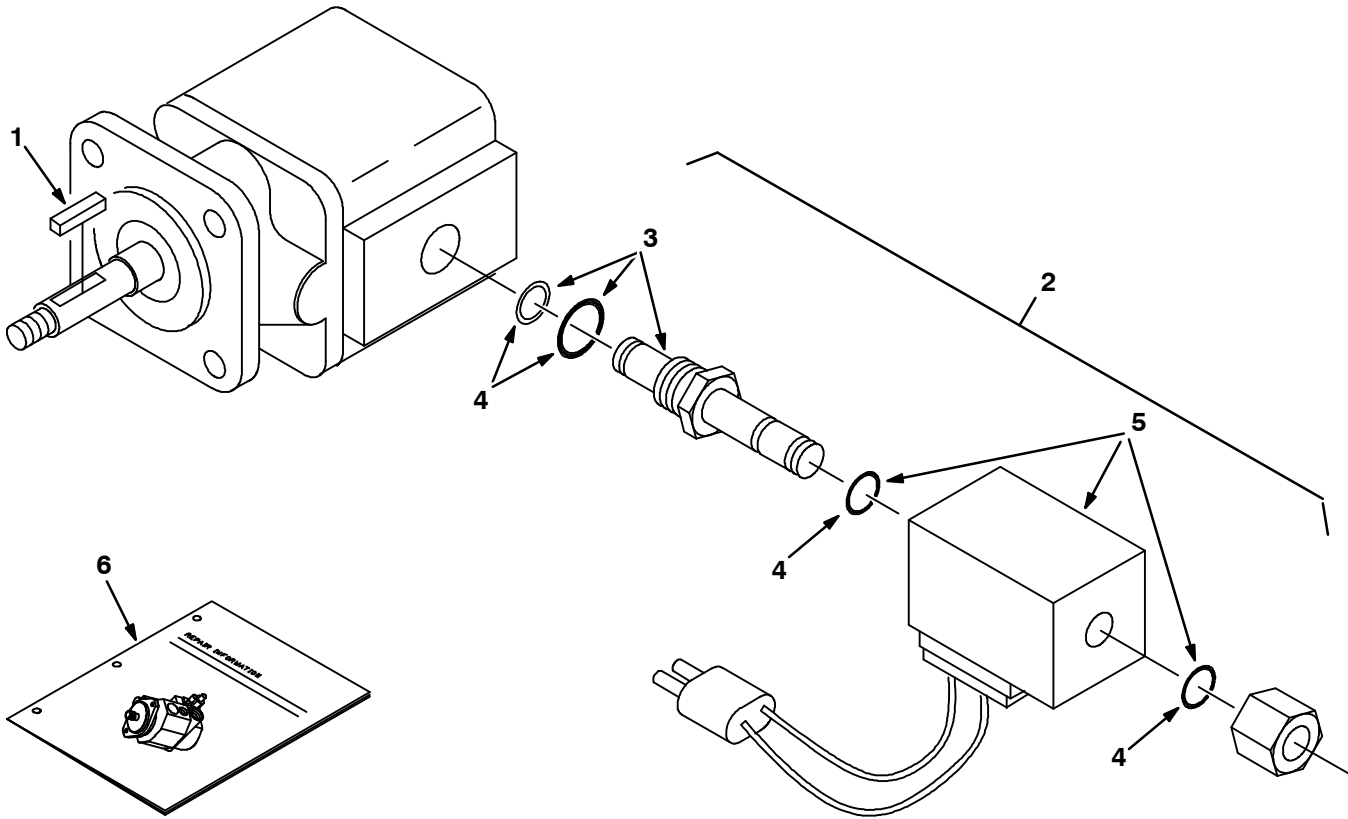
**Fig. 5 - Hydraulic Motor Breakdown, 1029379**



10859-09670 - ALL

Ref.	Part No.	Serial Number	Description	Qty.	
▽	1029379	(000000-	) Motor, Hyd, Gear, Int 08.9 Bi-Dir 2500	1	
▲	1	37555	(000000-	) Screw, Motor, Hyd [En]	4
▲	2	31354	(000000-	) Flange, Motor, Hyd [En]	1
▲	3	16695	(000000-	) Ace, Thrust, Motor, Hyd [En]	1
▲	4	45628	(000000-	) Bearing, Thrust	1
▲	5	28854	(000000-	) Shaft, Output, Motor, Hyd [En]	1
▲	6	74100	(000000-	) Housing, Motor, Hyd [En]	1
▲	7	21955	(000000-	) Drive [CI]	1
▲	8	74094	(000000-	) Plate, Spacer, Motor, Hyd [En]	1
▲	9	21956	(000000-	) Gerotor Set [CI]	1
▲	10	65230	(000000-	) End Cap, Motor, Hyd [En]	1
▲	11	21958	(000000-	) Cap Screw CI	5
▲	12	00500-15	(000000-	) Key, Woodruff, 0.25 1.00 [Asa#0808]	1
▲	13	61490	(000000-	) Seal Kit, Motor [CI]	1
▲	14	74250	(000000-	) Instr, Motor, Hyd, Repair [En]	1

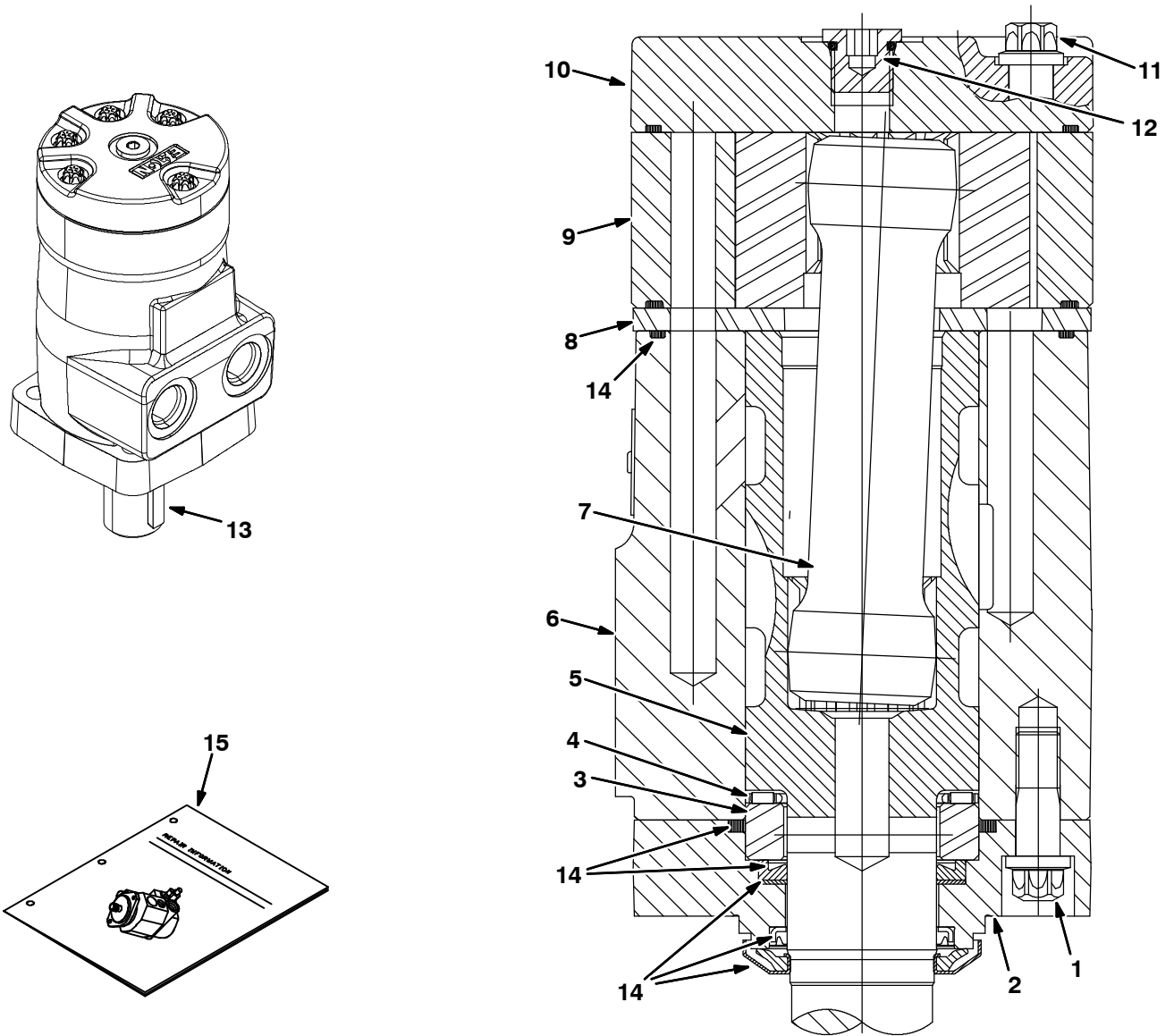
**Fig. 6 - Hydraulic Motor Breakdown, 53485**



07490 - 09670

Ref.	Part No.	Serial Number	Description	Qty.
▽	53485	(000000-	) Motor, Hyd, Gear, Ext 0.19 Rh 3000	1
▲	74233	(000000-	) Kit, Seal, Motor, Hyd, Gear[Barns]	1
▲	1 00966	(000000-	) Key, Sq, 0.12 X 0.12, 0.75l	1
▲▽	2 54095	(000000-	) Valve, Hyd Cartridge 10no/-0	1
▲▲	3 59378	(000000-	) Valve Stem, N.O.Valve, Hyd	1
▲▲	4 48813	(000000-	) Kit, Seal, Valve, Hyd [Cec]	1
▲▲	5 35493	(000000-	) Solenoid, 12v, Valve, Hyd [Cec]	1
	6 IB3614	(000000-	) Instr, Seal Kit, Motor	1

**Fig. 7 - Hydraulic Motor Breakdown, 1024407**



Ref.	Part No.	Serial Number	Description	Qty.
▽	1024407	(000000-	) Motor, Hyd, Gear, Int 09.7 Bi-Dir 2500	1
▲	1 37555	(000000-	) Screw, Motor, Hyd [En]	4
▲	2 22609	(000000-	) Flange	1
▲	3 16695	(000000-	) Ace, Thrust, Motor, Hyd [En]	1
▲	4 45628	(000000-	) Bearing, Thrust	1
▲	5 22614	(000000-	) Shaft, Output, Motor, Hyd	1
▲	6 373674	(000000-	) Housing, Motor, Hyd [En]	1
▲	7 31376	(000000-	) Drive	1
▲	8 74094	(000000-	) Plate, Spacer, Motor, Hyd [En]	1
▲	9 38263	(000000-	) Gerotor, Motor, Hyd	1
▲	10 74101	(000000-	) End Cap, Motor, Hyd [En]	1
▲	11 21960	(000000-	) Screw, Cap, Motor, Hyd	5
▲	12 74098	(000000-	) Fitting, Hyd, Plug, Om04	1
▲	13 00500-15	(000000-	) Key, Woodruff, 0.25 1.00 [Asa#0808]	1
▲	14 22615	(000000-	) Seal Kit, Motor [CI]	1
▲	15 74250	(000000-	) Instr, Motor, Hyd, Repair [En]	1

**Fig. 8 - Hydraulic Valve Breakdown, 1018938**

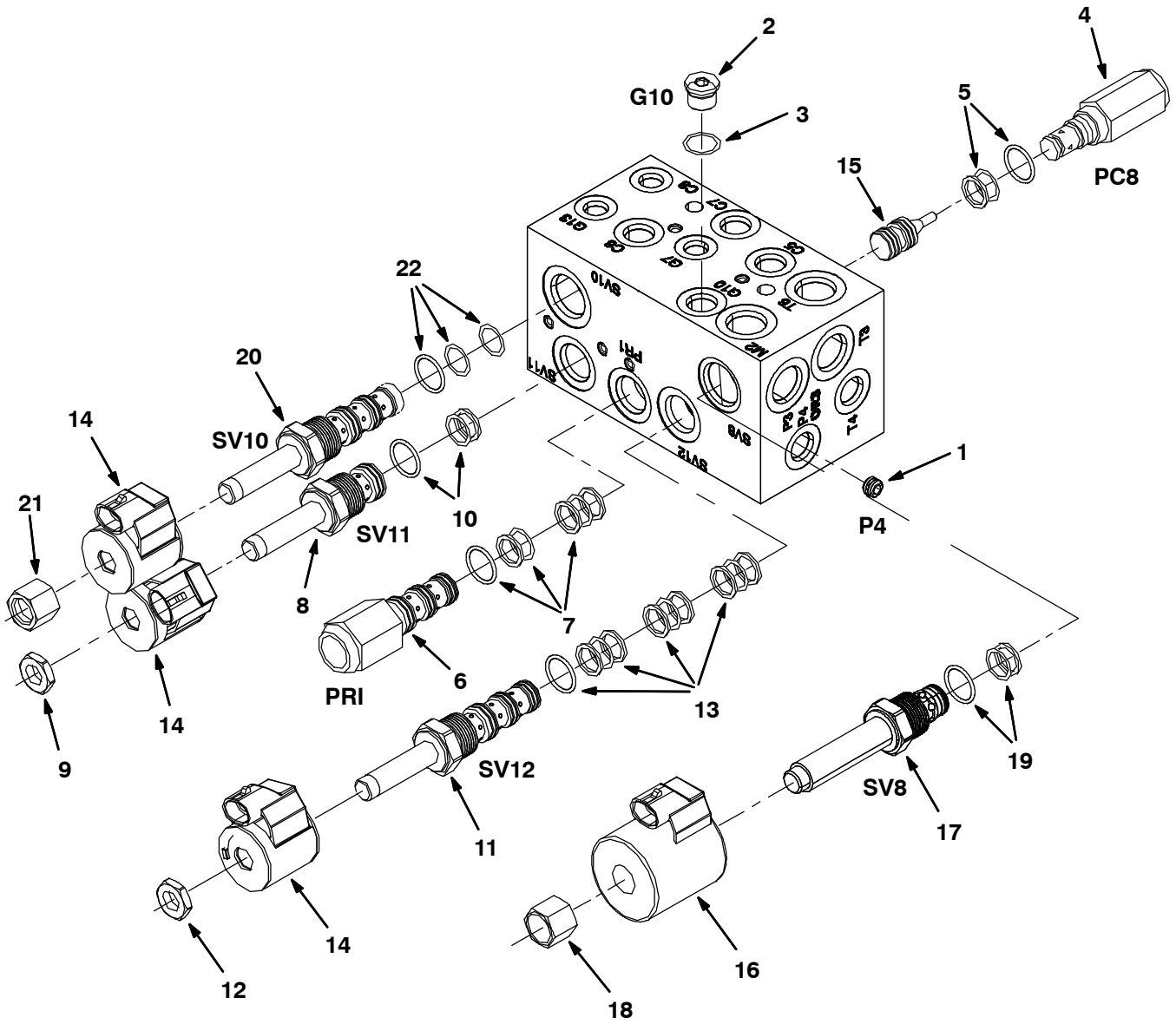




Fig. 8 - Hydraulic Valve Breakdown, 1018938

	Ref.	Part No.	Serial Number	Description	Qty.
▽		1018938	(000000-	) Valve, Cntrl, Hyd [M20 And T20]	1
▲	1	373633	(000000-	) Plug, Orifice, Valve, Hyd, .040	1
▲▽	2	13904	(000000-	) Fitting, Plug, Org, #6, Valve [Cec]	1
▲▲	3	77005	(000000-	) Seal, Org, .078 X 00.47id #06	1
▲▽	4	373656	(000000-	) Valve, Check	1
▲▲	5	373647	(000000-	) Seal Kit, Cartridge	1
▲▽	6	373661	(000000-	) Valve, Relief	1
▲▲	7	373647	(000000-	) Seal Kit, Cartridge	1
▲▽	8	373662	(000000-	) Stem, Valve, Hyd	1
▲▲	9	373648	(000000-	) Nut, Coil, F/#8	1
▲▲	10	373647	(000000-	) Seal Kit, Cartridge	1
▲▽	11	373657	(000000-	) Stem, Valve, Hyd, 4w2p	1
▲▲	12	373648	(000000-	) Nut, Coil, F/#8	1
▲▲	13	373647	(000000-	) Seal Kit, Cartridge	1
▲	14	373640	(000000-	) Solenoid, #8, 12vdc	3
▲	15	373658	(000000-	) Spool, Pilot, Hyd	1
▲	16	373642	(000000-	) Solenoid, #10, 12vdc	1
▲▽	17	373663	(000000-	) Valve, Stem, No	1
▲▲	18	373670	(000000-	) Nut, Solenoid	1
▲▲	19	373646	(000000-	) Seal Kit, Cartridge	1
▲▽	20	373664	(000000-	) Cartridge, Psi Cntrl, Valve, Hyd	1
▲▲	21	373673	(000000-	) Nut, Solenoid	1
▲▲	22	373672	(000000-	) Seal Kit, Cartridge	1

**Fig. 9 - Hydraulic Valve Breakdown, 1020394**

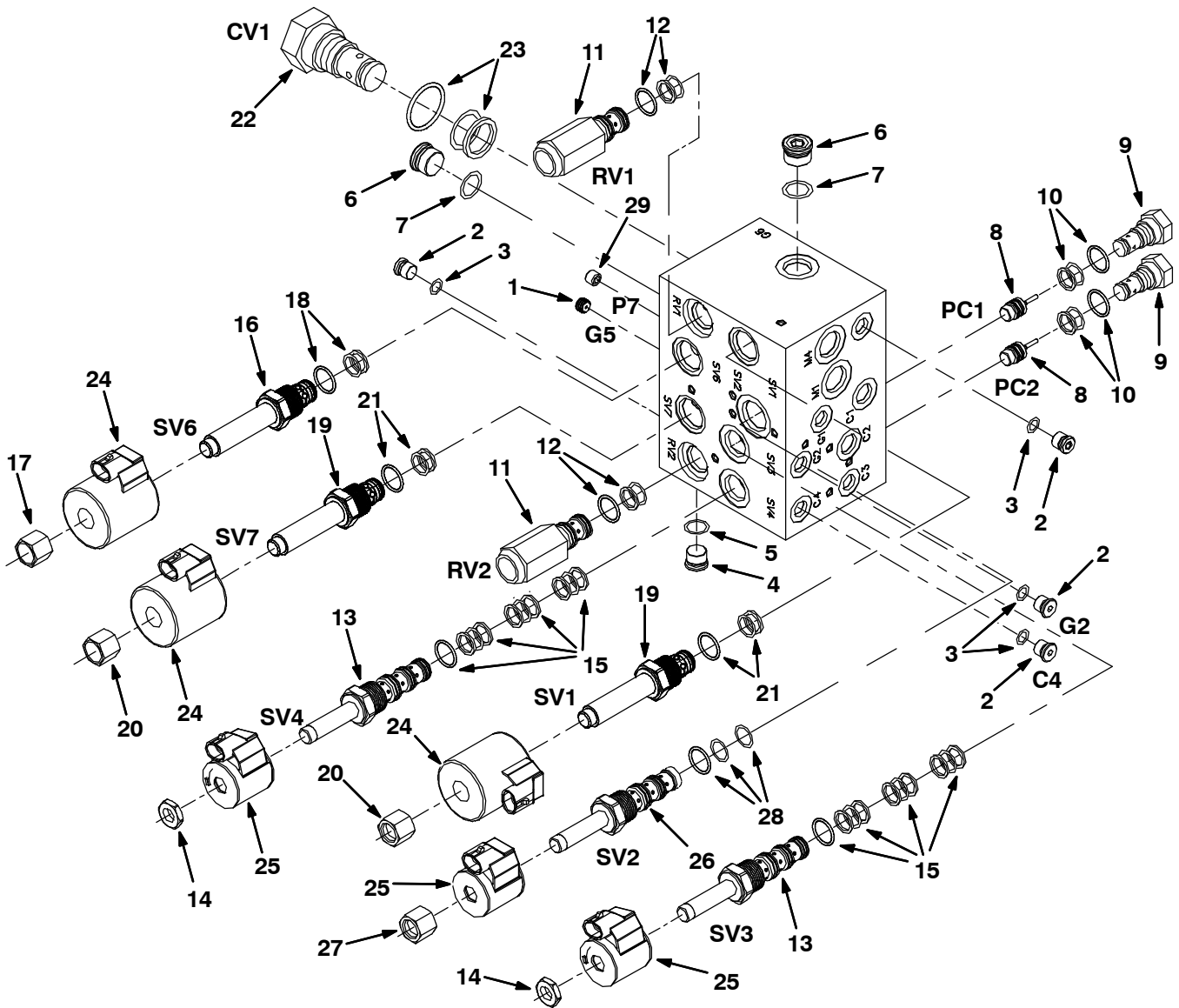


Fig. 9 - Hydraulic Valve Breakdown, 1020394

	Ref.	Part No.	Serial Number	Description	Qty.
▽		1020394	(000000-	) Valve, Cntrl, Hyd	1
▲	1	373665	(000000-	) Plug, Orifice, Valve, Hyd, .046	1
▲▽	2	74098	(000000-	) Fitting, Hyd, Plug, Om04	4
▲▲	3	77003	(000000-	) Seal, Org, .072 X 00.35id #04	1
▲▽	4	13904	(000000-	) Fitting, Plug, Org, #6, Valve [Cec]	1
▲▲	5	77005	(000000-	) Seal, Org, .078 X 00.47id #06	1
▲▽	6	13907	(000000-	) Fitting, Hyd, Plug, Om08	2
▲▲	7	77006	(000000-	) Seal, Org, .087 X 00.64id #08	2
▲	8	373658	(000000-	) Spool, Pilot, Hyd	2
▲▽	9	373631	(000000-	) Valve, Check	2
▲▲	10	373647	(000000-	) Seal Kit, Cartridge	1
▲▽	11	373666	(000000-	) Valve, Relief	2
▲▲	12	373647	(000000-	) Seal Kit, Cartridge	1
▲▽	13	373657	(000000-	) Stem, Valve, Hyd, 4w2p	2
▲▲	14	373648	(000000-	) Nut, Coil, F/#8	1
▲▲	15	373647	(000000-	) Seal Kit, Cartridge	1
▲▽	16	373667	(000000-	) Stem, Valve, Hyd	1
▲▲	17	373648	(000000-	) Nut, Coil, F/#8	1
▲▲	18	373646	(000000-	) Seal Kit, Cartridge	1
▲▽	19	373663	(000000-	) Valve, Stem, No	2
▲▲	20	373670	(000000-	) Nut, Solenoid	1
▲▲	21	373646	(000000-	) Seal Kit, Cartridge	1
▲▽	22	373668	(000000-	) Valve, Check	1
▲▲	23	373671	(000000-	) Seal Kit, Cartridge	1
▲	24	373642	(000000-	) Solenoid, #10, 12vdc	3
▲	25	373640	(000000-	) Solenoid, #8, 12vdc	3
▲▽	26	373664	(000000-	) Cartridge, Psi Cntrl, Valve, Hyd	1
▲▲	27	373673	(000000-	) Nut, Solenoid	1
▲▲	28	373672	(000000-	) Seal Kit, Cartridge	1
▲	29	373669	(000000-	) Plug, Orifice, Valve, Hyd, .063	1

**Fig. 10 - Hydraulic Valve Breakdown, 1037805**

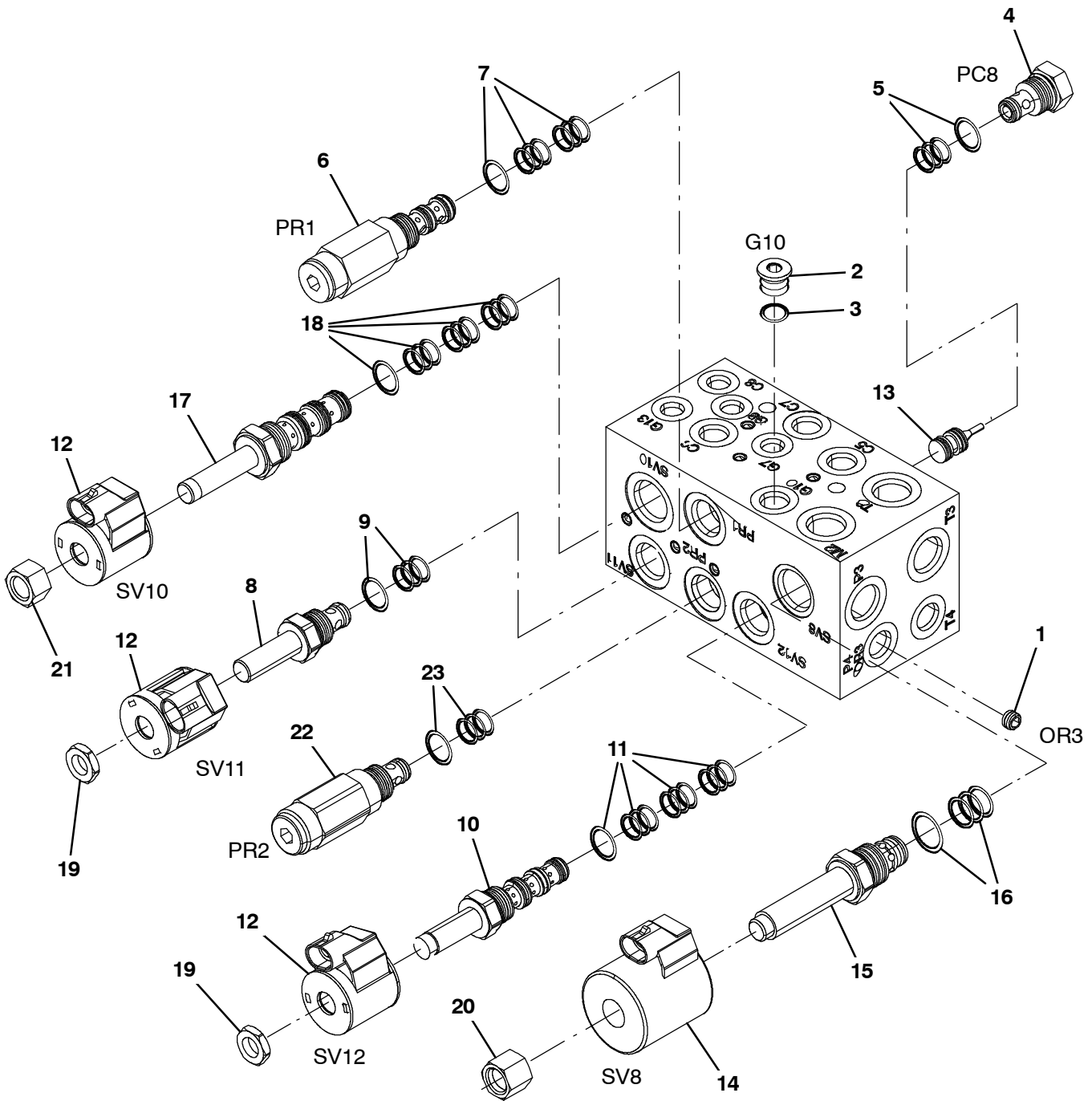


Fig. 10 - Hydraulic Valve Breakdown, 1037805

Ref.	Part No.	Serial Number	Description	Qty.
▽	1037805	(000000-	) Valve, Cntrl, Hyd, Solenoid, 03/16gpm	1
▲	1 373633	(000000-	) Plug, Orifice, Valve, Hyd, .040	1
▲▽	2 13904	(000000-	) Fitting, Plug, Org, #6, Valve [Cec]	1
▲▲	3 77005	(000000-	) Seal, Org, .078 X 00.47id 06	1
▲▽	4 373656	(000000-	) Valve, Check	1
▲▲	5 373647	(000000-	) Seal Kit, Cartridge	1
▲▽	6 373683	(000000-	) Valve, Relief	1
▲▲	7 373647	(000000-	) Seal Kit, Cartridge	1
▲▽	8 373662	(000000-	) Stem, Valve, Hyd	1
▲▲	9 373647	(000000-	) Seal Kit, Cartridge	1
▲▽	10 373657	(000000-	) Stem, Valve, Hyd [4w2p]	1
▲▲	11 373647	(000000-	) Seal Kit, Cartridge	1
▲	12 373640	(000000-	) Solenoid, #8, 12vdc	1
▲	13 373658	(000000-	) Spool, Pilot, Hyd	1
▲	14 373642	(000000-	) Solenoid, #10, 12vdc	3
▲▽	15 373663	(000000-	) Valve, Stem, No	1
▲▲	16 373646	(000000-	) Seal Kit, Cartridge	1
▲▽	17 373664	(000000-	) Cartridge, Psi Cntrl, Valve, Hyd	1
▲▲	18 373672	(000000-	) Seal Kit, Cartridge	1
▲	19 373684	(000000-	) Nut, Coil, Nyl Patch	1
▲	20 373685	(000000-	) Nut, Coil, Nyl Patch	1
▲	21 373686	(000000-	) Nut, Coil, Nyl Patch	1
▲▽	22 1047625	(000000-	) Valve, Relief	1
▲▲	23 373647	(000000-	) Seal Kit, Cartridge	1

**Fig. 11 - Hydraulic Steering Valve Breakdown, 1024260**

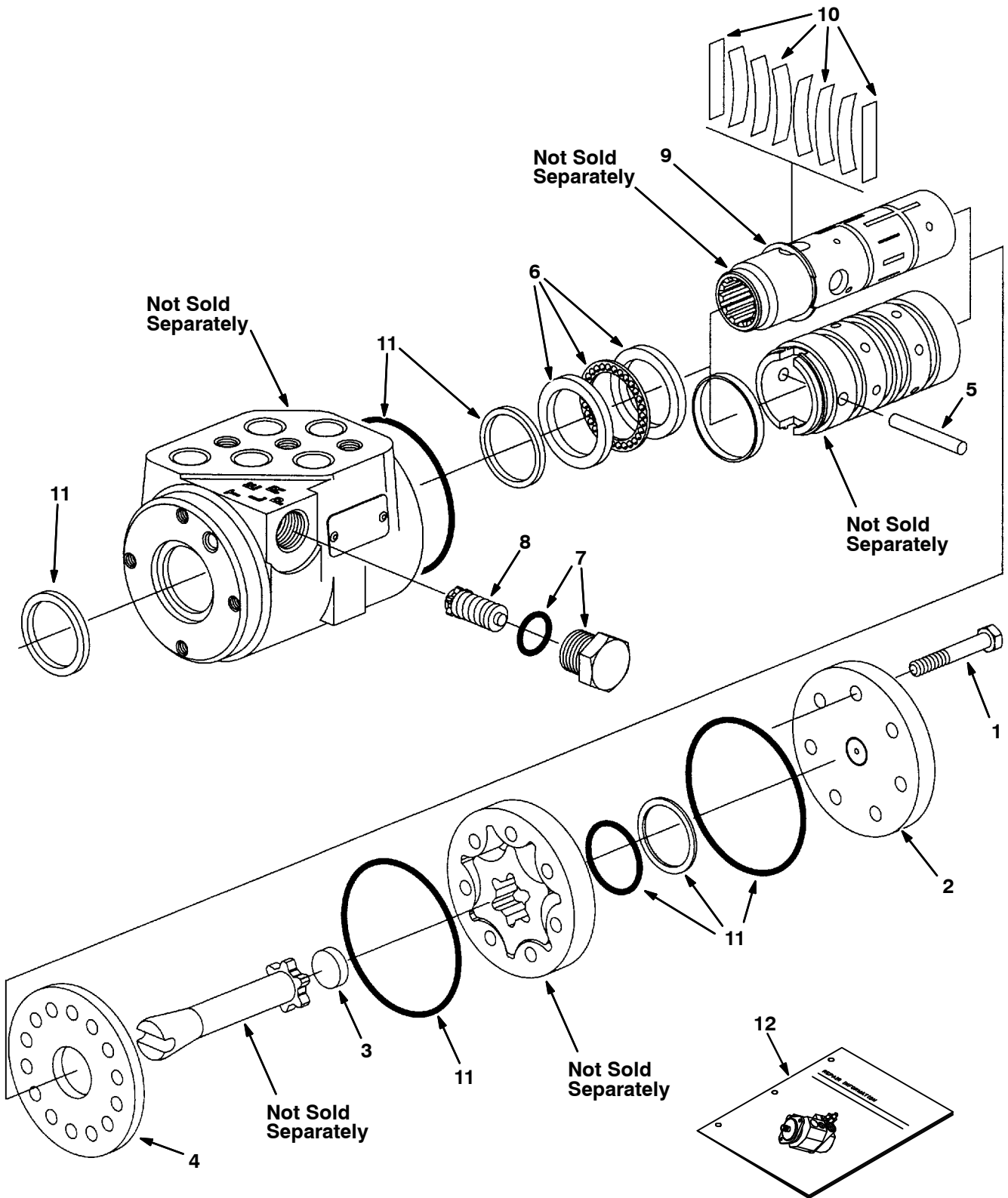
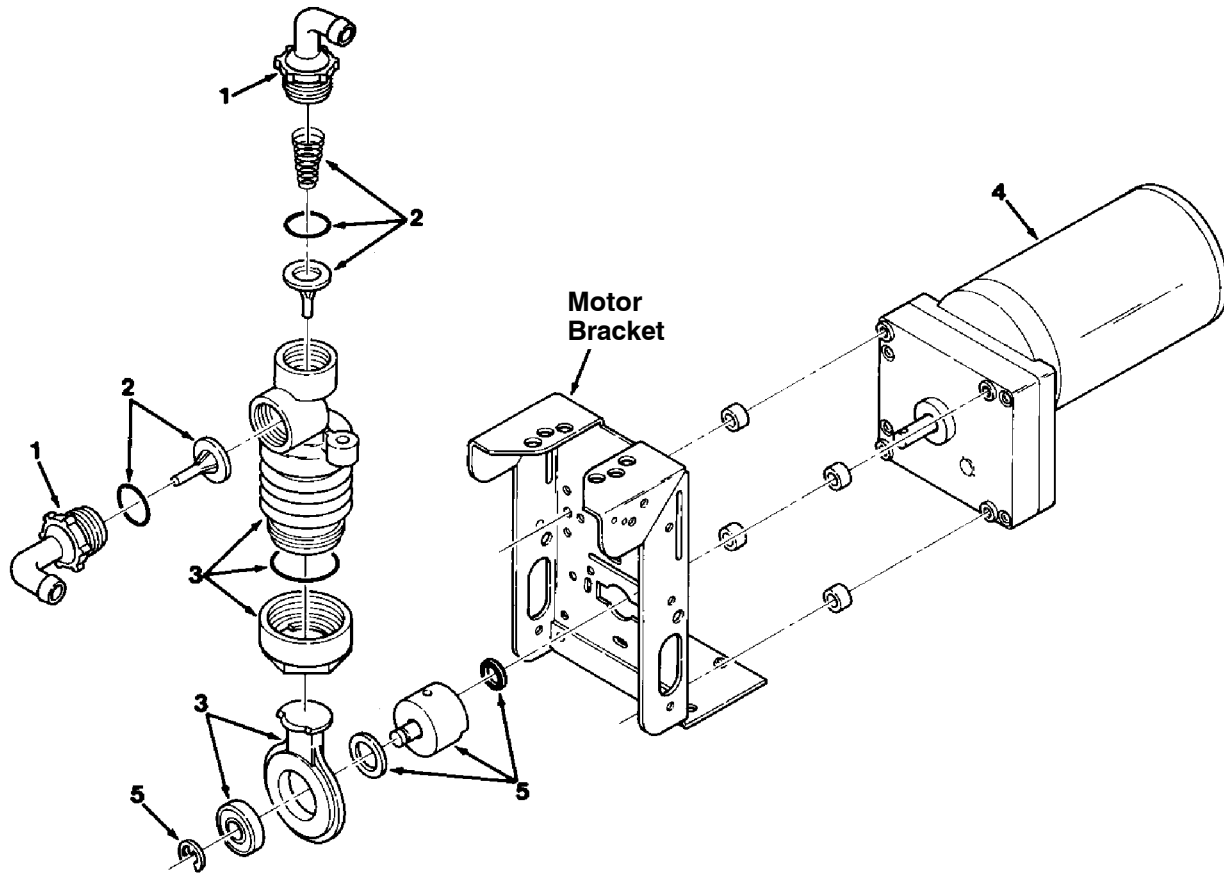


Fig. 11 - Hydraulic Steering Valve Breakdown, 1024260

	Ref.	Part No.	Serial Number	Description	Qty.
▽		1024260	(000000-	) Steer-Control, Hyd05, 06.1 2030	1
▲	1	74183	(000000-	) Screw, Valve, Steering	7
▲	2	74185	(000000-	) Cap, End, Valve, Steering	1
▲	3	74193	(000000-	) Spacer, Valve, Steering	1
▲	4	74222	(000000-	) Plate, Wear, Steering Valve	1
▲	5	74232	(000000-	) Pin, Valve, Steering	1
▲	6	21935	(000000-	) Bearing Kit [C]	1
▲	7	21933	(000000-	) Plug Assy [C]	1
▲	8	21934	(000000-	) Valve Assy, Relief [C]	1
▲	9	74243	(000000-	) Ring, Retainer, Steering Valve	1
▲	10	74196	(000000-	) Spring Kit, Scu [C]	1
▲	11	74244	(000000-	) Seal Kit, Steering [C]	1
▲	12	74245	(000000-	) Instr, Valve, Steering, Repair	1

**Fig. 12 - Metering Solution Pump Breakdown, 73260**

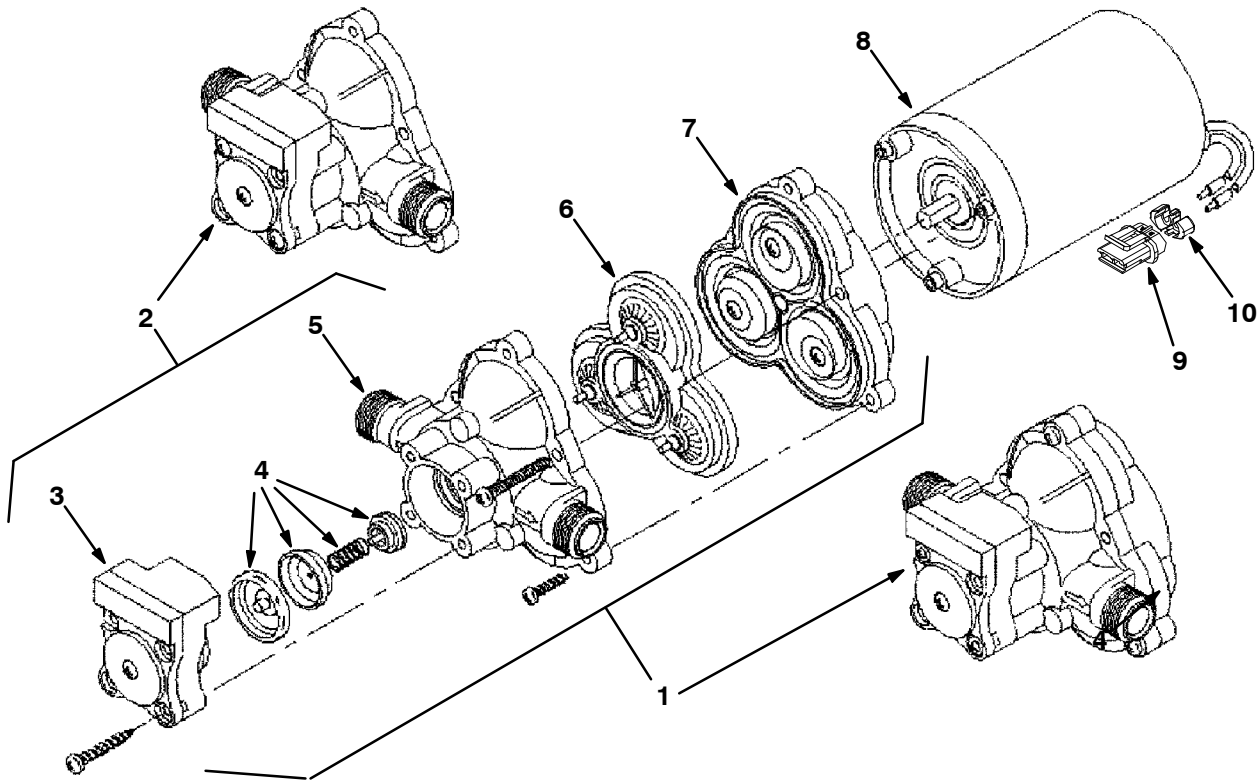


00112 - ALL

Ref.	Part No.	Serial Number	Description	Qty.
▽	73260	(000000-	) Pump, Detgt, 14vdc, 150ml/Min 20psi	1
▲	1 63923	(000000-	) Tubing Connctr.Kit, Gorman Pmp	1
▲	2 21659	(000000-	) Valve Kit, Poppet, Gorman Rupp	1
▲	3 21657	(000000-	) Kit, Bellows, Pump, Detgt	1
▲	4 78875	(000000-	) Motor, Ele, Gear, 14vdc, Pump, Detgt	1
▲	5 02430	(000000-	) Crank Kit, Pump, F/79323, Replmt	1



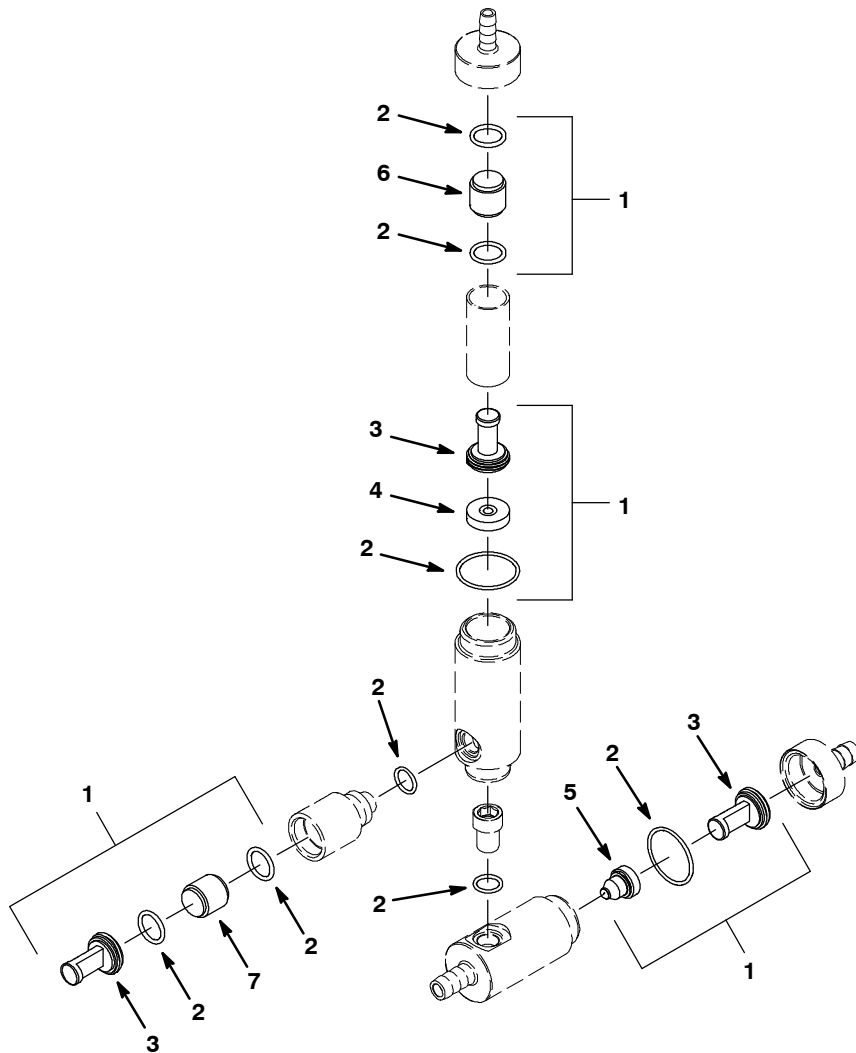
**Fig. 13 - Water Pump Breakdown, 1026743**



07490 - 09670

Ref.	Part No.	Serial Number	Description	Qty.
▽	1026743	(000000-	) Pump, Diaphragm	1
▲	1	1031802	(000000-) Complete Pump Kit, Pump, Repair,	1
▲	2	1031803	(000000-) Hsg & Switch Kit, Pump, Repair,	1
▲	3	1031796	(000000-) Switch Kit, Pump, Repair,	1
▲	4	1031797	(000000-) Chech Valve Kit, Pump, Repair,	1
▲	5	1031798	(000000-) Upper Hsg Kit, Pump, Repair,	1
▲	6	1031799	(000000-) Bypass Valve Kit, Pump, Repair,	1
▲	7	1031800	(000000-) Diaphragm Kit, Pump, Repair,	1
▲	8	1031801	(000000-) Motor Kit, Pump, Repair,	1
▲	9	78950	(000000-) Connector, Fem, 02cav, Mp280 Sealed	1
▲	10	78952	(000000-) Lock, Secondary, 2cav, Mp280 Sealed	1
▲		78951	(000000-) Terminal, Fem, Mp280, Sealed, 18-16ga	2
▲		10917	(000000-) Seal, Wire, 14/16ga [Wp / Mp280 Sealed]	2

**Fig. 14 - FaST Injector Assembly Breakdown, 9004515**



354649

Ref.	Part No.	Serial Number	Description	Qty.	
▽	9004515	(000000-	) FaST Kit, Injector, CI[M20/M30 FaST II+]	1	
▲▽	1	9004514	(000000-	) FaST Kit, Ci, Injector Rebuild[FaST II+]	1
▲▲	2	9003008	(000000-	) Fast Kit, Ci, Injector Seals [Fast li+]	1
▲▲	3	9003009	(000000-	) Fast Kit, Ci, Injector Filters[Fast li+]	1
▲▲	4	1042711	(000000-	) Plate Assy, Orifice, 0.0105id, Green	1
▲▲	5	1042710	(000000-	) Plug, Orifice, 0.060, Ss [Fast li+]	1
▲▲	6	1030444	(000000-	) Valve, Check, 0002psi [Fast li+]	1
▲▲	7	1030441	(000000-	) Valve, Check, 0005psi [Fast li+]	1

# SECTION 5

<b>Contents</b>	<b>Page</b>
Fig. 1 - Cylinder Head and Valves Group . . .	5-2
Fig. 2 - Crankshaft and Pistion Group . . . . .	5-4
Fig. 3 - Oil and Water Pump Group . . . . .	5-6
Fig. 4 - Oil Pan and Filter Group . . . . .	5-8
Fig. 5 - Manifold Group . . . . .	5-9
Fig. 6 - Camshaft Group . . . . .	5-10
Fig. 7 - Ignition Group . . . . .	5-12

## Fig. 1 - Cylinder Head and Valves Group

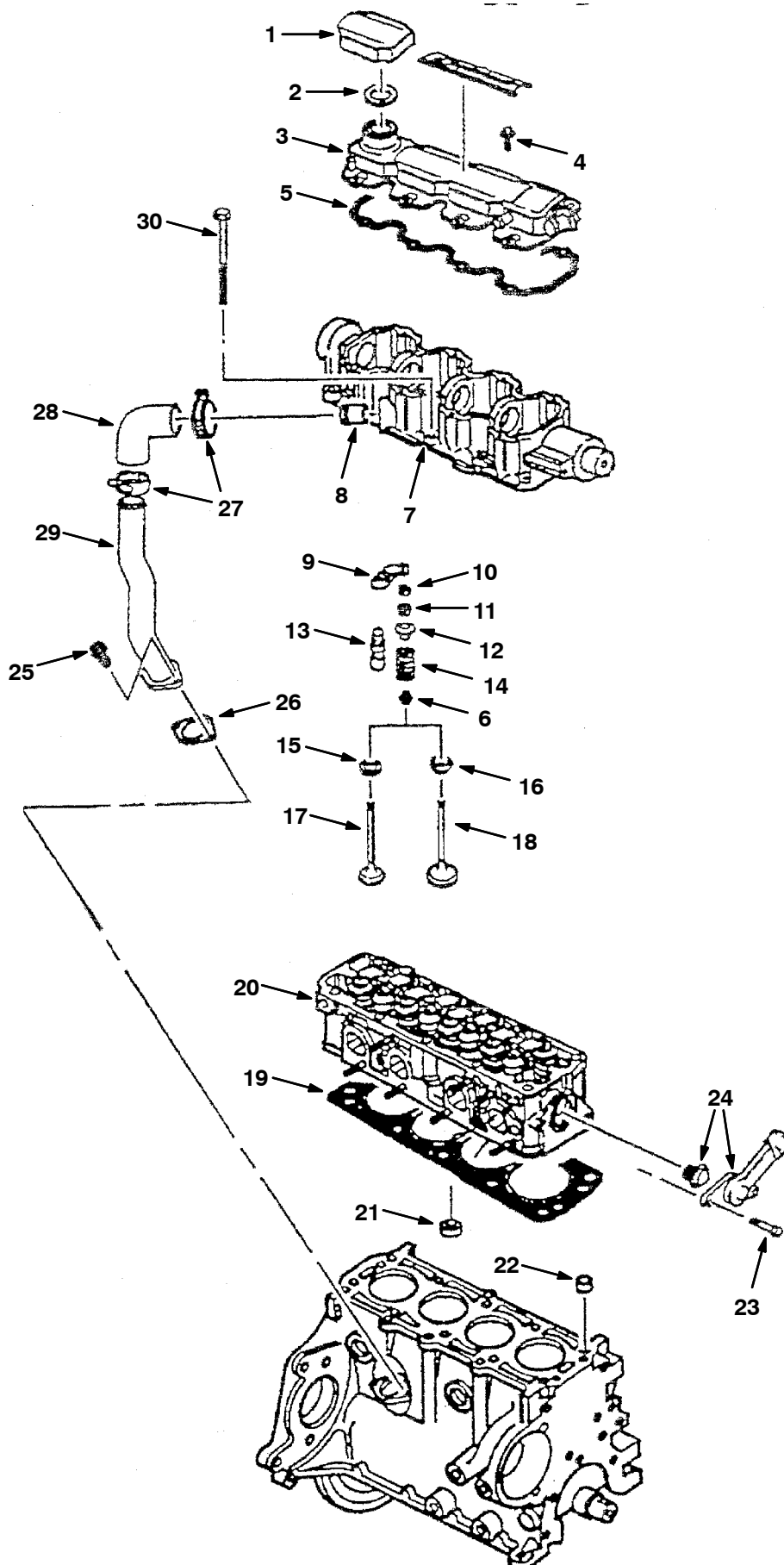
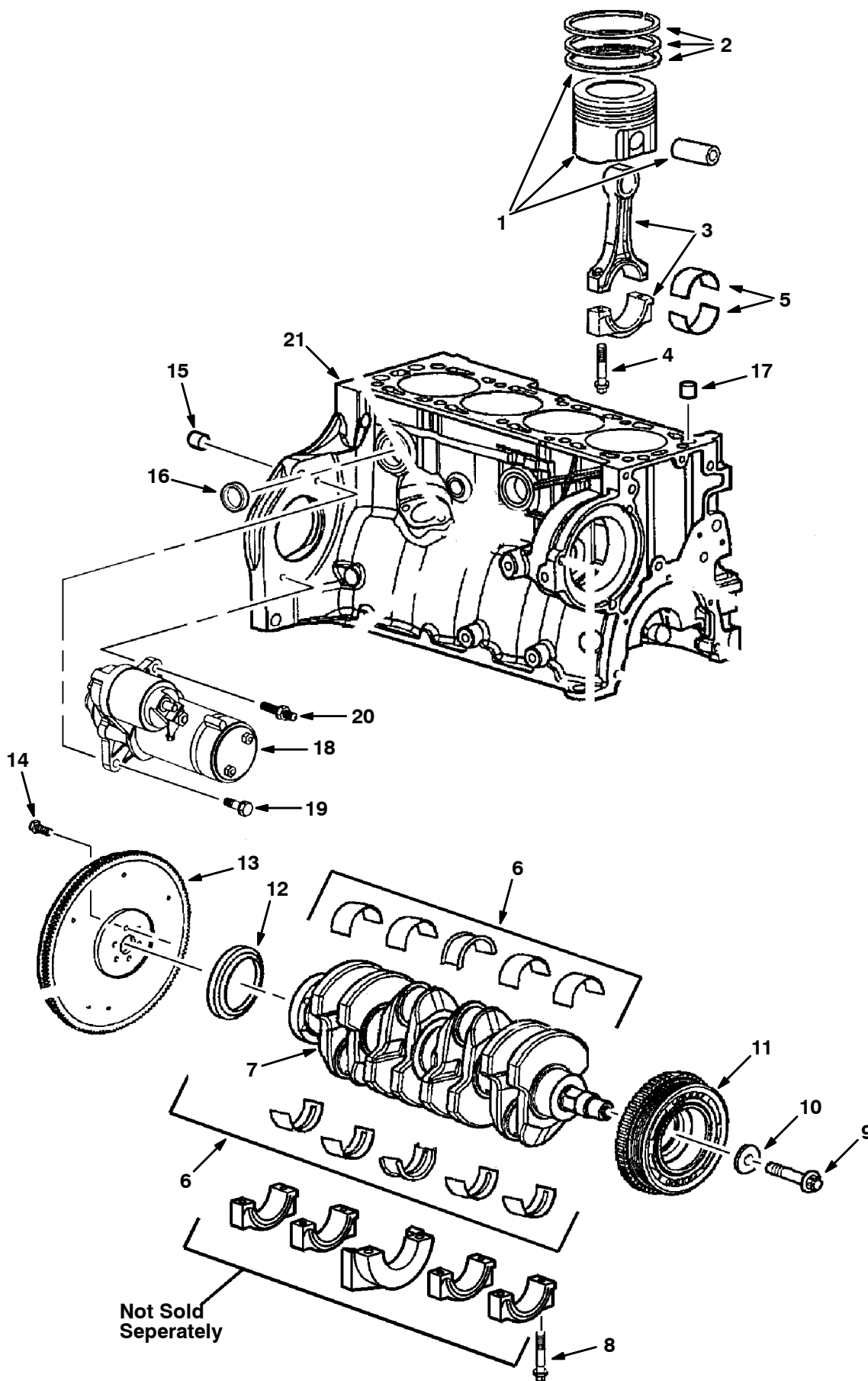


Fig. 1 - Cylinder Head and Valves Group

Ref.	Part No.	Description	Qty.
1	372574	Cap, Filler, Oil, W/ Org	1
2	372573	Seal, Org, Cap	1
3	372007	Cover, Hsng, Camshaft	1
4	371990	Bolt, Camshaft Cover	8
5	372008	Gasket, Cover, Hsng, Camshaft	1
6	9003345	Seal, Seat, Valve	8
7	372018	Housing, Camshaft	1
8	372019	Tube [Pcv]	1
9	372030	Arm, Rocker, Valve	8
10	372031	Seat, Spring, Valve, 0.333	8
10	372032	Seat, Spring, Valve	8
11	372033	Key, Valve Stem	16
12	372034	Cap, Spring, Valve	4
13	372035	Screw, Adj, Valve, Hyd	8
14	372036	Spring, Valve	8
15	372037	Seat, Rotator, Valve	4
16	372031	Seat, Spring, Valve, 0.333	8
16	372032	Seat, Spring, Valve	8
17	372038	Valve, Exhaust	4
18	372039	Valve, Intake	1
19	372022	Gasket, Head, Cyl	1
20	372023	Head, Cyl	1
21	372024	Seat, Valve, Exhaust, [+0.2mm]	4
21	372025	Seat, Valve, Exhaust, Std	4
21	372026	Seat, Valve, Exhaust, [+0.4mm]	4
21	372027	Seat, Valve, Intake, Std	4
21	372028	Seat, Valve, Intake, [+0.2mm]	4
21	372029	Seat, Valve, Intake, [+0.4mm]	4
22	371999	Pin, Lock, Cyl Head, 14mm X 17mm	2
23	372048	Bolt, Hsng, Thermostat	2
24	372047	Thermostat, W/ Hsng And Seal	1
25	371957	Bolt, Tube [Pvc], M6 X 1 X 15	2
26	371958	Gasket, Tube [Pvc]	1
27	371954	Clamp, Hose, 1.75 [Pcv]	2
28	371955	Hose [Pcv]	1
29	371956	Tube [Pcv]	1
30	372882	Bolt, Head. Cyl	10

## Fig. 2 - Crankshaft and Piston Group

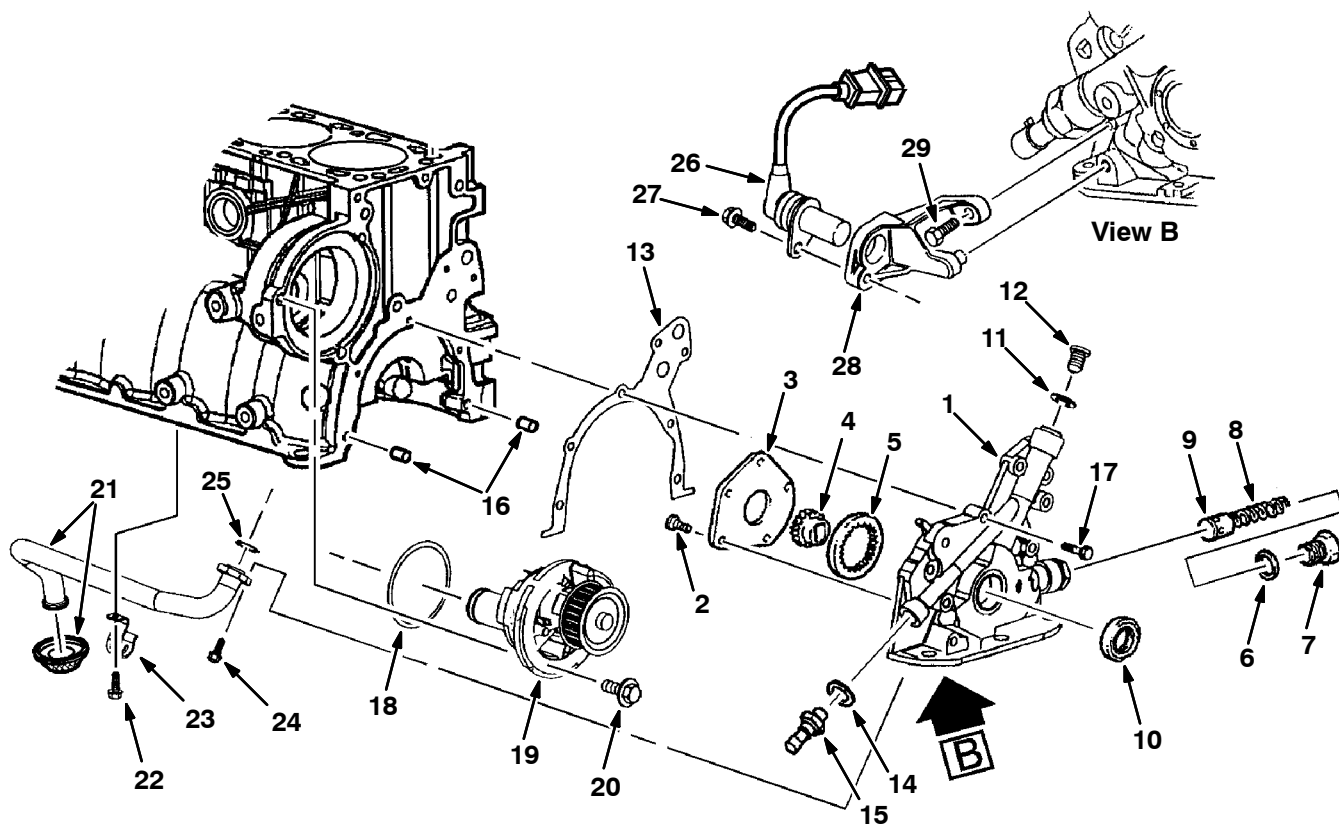


**Fig. 2 - Crankshaft and Piston Group**

Ref.	Part No.	Description	Qty.
▽ 1	371932	Piston, W/ Pin, Std	1
▲ 2	371931	Ring Kit, Piston, Std 78.95-79.02mm	4
3	371934	Rod, Connecting, M08 X 45	4
4	371935	Bolt, Connecting Rod	8
5	371933	Bearing Kit, Rod, Connecting, Std	1
6	371966	Bearing Kit, Cshft, 1.995-2.001mm (Brown Blue)	4
6	371967	Bearing Kit, Cshft, 2.120-2.126mm	4
6	371968	Bearing Kit, Cshft, 2.114-2.120mm	4
6	371969	Bearing Kit, Cshft, 1.989-1.995mm (Brown)	4
6	371970	Bearing Kit, Cshft, 1.989-1.995mm (Green Blue)	4
6	371971	Bearing Kit, Cshft, 1.995-2.001mm (Green)	4
7	371965	Crankshaft	1
8	371946	Bolt, M10 X 1.50 X 75mm	10
9	371938	① Bolt, M12 X 1.75 X 62mm	1
9	384961	② Bolt, Pulley, Cshft	1
10	371937	Washer, Sheave, Cshft	1
11	371936	Sheave, Cshft	1
12	371945	Seal, Oil, Cshft	1
13	371979	Flywheel	1
14	371976	Bolt, Flywheel	6
15	371978	Pin, Lock, Transmission	2
16	371942	Plug, Hole, Coolant, Eng Block	6
17	371999	Pin, Lock, Cyl Head, 14mm X 17mm	2
18	371962	③ Starter, 12vdc [Gm] (Before Mar. 2006)	1
18	384963	④ Starter, 12vdc [Delco] (Mar. 2006 and Newer)	1
19	371963	① Bolt, M08 X 1.25 X 25mm	1
19	384964	② Bolt, M08 X 1.25 X 25mm	1
20	371964	Stud, Starter, M08 X 1.25	1
21	371944	Block, Short, Eng, W/ Piston & Ring	1

- ① Serial Number (000000-xxxxxx)
- ② Serial Number (xxxxxx- )
- ③ Serial Number (000000000-1PGL13150)
- ④ Serial Number (1PGL13151- )

Fig. 3 - Oil and Water Pump Group





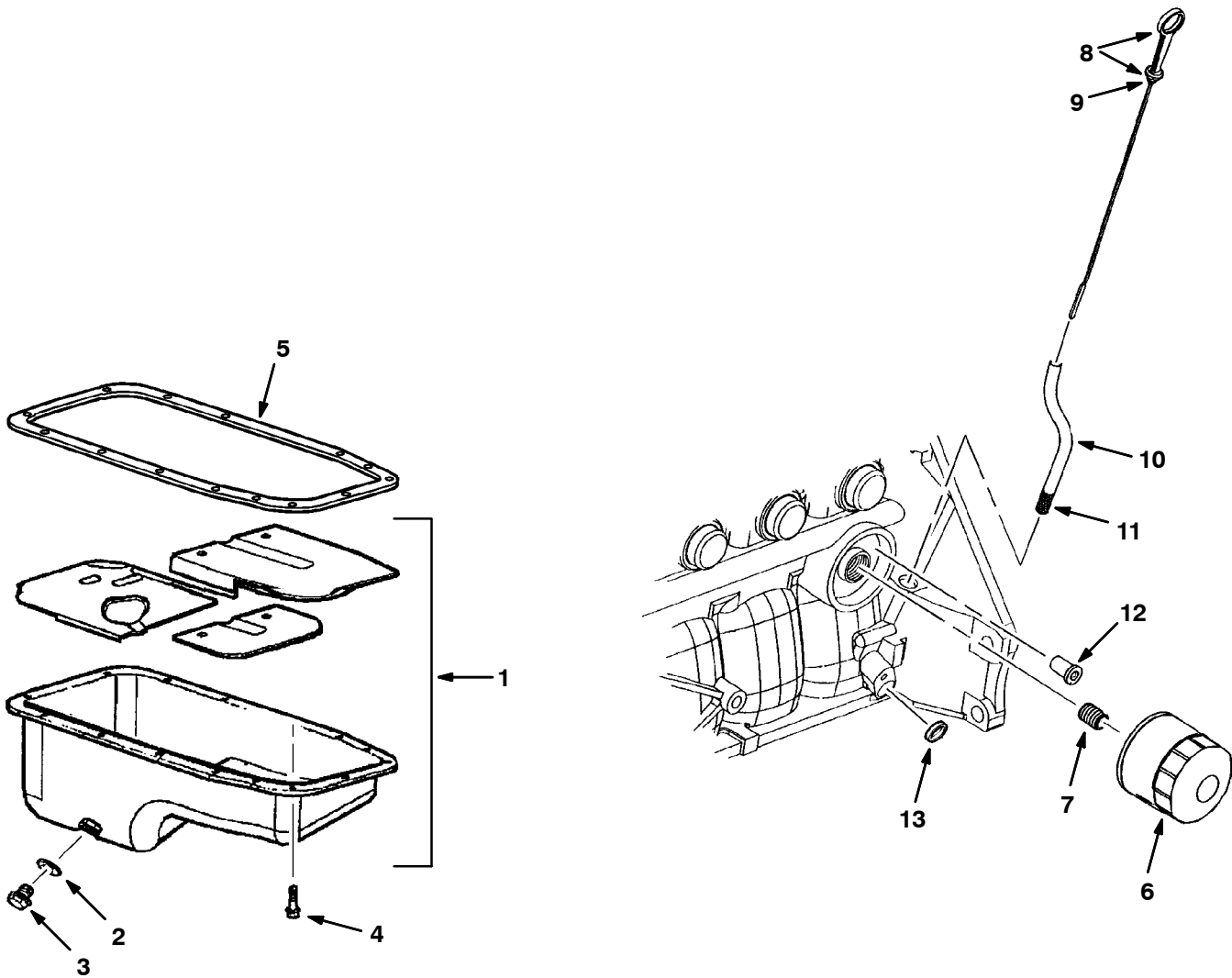
**Fig. 3 - Oil and Water Pump Group**

	<b>Ref.</b>	<b>Part No.</b>	<b>Description</b>	<b>Qty.</b>
▽	1	372572	Pump, Oil	1
▲	2	371947	Bolt, Cover, Oil Pump, M6 X 14	5
▲	3	371948	Cover, Pump, Oil	1
▲	4	371949	Gear, Ring, Drive, Oil Pump	1
▲	5	371950	Gear, Drive, Oil Pump	1
▲	6	371998	Gasket, Plug, Relief Valve, Oil Press	1
▲	7	371994	Plug, Bore, Valve, Relief, Oil Press	1
▲	8	371993	Spring, Valve, Relief, Oil Press	1
	9	371997	Valve, Relief, Oil Press	1
	10	372005	Seal, Org, Oil Pump	1
	11	371951	Seal, Org, Hsng, Oil Pump	1
	12	371952	Plug, Hsng, Oil Pump	1
	13	371984	Gasket, Pump, Oil	1
	14	371987	Seal, Org, Press Switch / Drain Plug	1
	15	371996	Switch, Indicator, Oil Press	1
	16	371983	Pin, Ring, Lock, Hsng, Water Pump	2
	17	371986	Bolt, Pump, Oil	6
	18	372567	Seal, Org, Water Pump	1
	19	371981	Pump, Water [Gm]	1
	20	371980	Bolt, Cover, Water Pump	3
	21	372001	Screen, Oil Pump, W/ Suc Pipe	1
	22	371991	Bolt, Bracket, Screen, Oil Pump, M6x1x1	1
	23	372000	<sup>①</sup> Bracket, Screen, Oil Pump	1
	23	384966	<sup>②</sup> Bracket, Screen, Oil Pump	1
	24	371990	Bolt, Oil Pump Screen/Camshaft Cover	2
	25	371988	Seal, Ring, Pipe, Suc, Oil Pump	1
	26	372002	Sensor, Position, Cshft	1
	27	384968	Bolt, Bracket, Sensor, Cshft Position	1
	28	372003	Bracket, Sensor, Position, Cshft	1
	29	372004	Bolt, Sensor, Position, Cshft	3

<sup>①</sup> Serial Number (000000-xxxxxx)

<sup>②</sup> Serial Number (xxxxxx- )

## Fig. 4 - Oil Pan and Filter Group



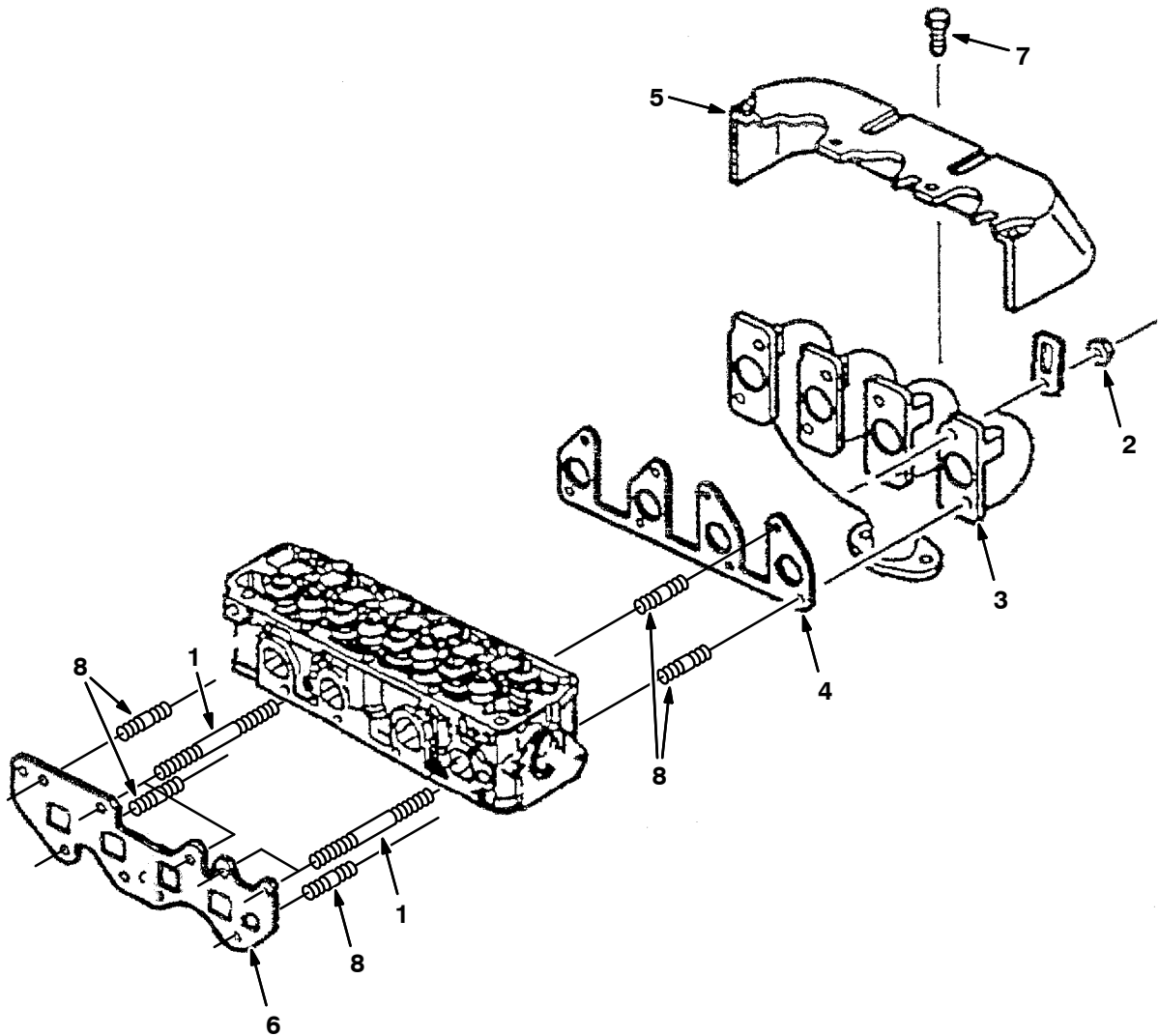
G, LP

Ref.	Part No.	Description	Qty.
▽	1 371960	Pan, Oil, W/ Baffle / Plug / Seal	1
▲	2 371987	Seal, Org, Press Switch / Drain Plug	1
▲	3 371992	Plug, Drain, Oil Pan, M14 X 1.5 X 12	1
	4 371961	① Bolt, M06 X 1.00 X 13mm	15
	4 384962	② Bolt, Pan, Oil	15
	5 371959	Gasket, Pan, Oil	1
	6 371972	Element, Fltr, Oil, Eng, Spin-On	4
	7 371973	Fitting, Fltr, Oil	1
▽	8 372560	Dipstick, Oil	1
▲	9 371995	Seal, Org, Cap, Fltr, Oil	1
	10 371940	Tube, Ds	1
	11 371941	Sealant, Tube, Ds	1
	12 371975	Valve, By-Pass, Oil Fltr	1
	13 371943	Plug, Hole, Core, Eng Block	1

① Serial Number (000000-xxxxxx)

② Serial Number (xxxxxx- )

Fig. 5 - Manifold Group



G, LP

Ref.	Part No.	Description	Qty.
1	372021	Stud, Manifold, M8 X 96	4
2	372049	Nut, Manifold, Exhaust, M8 X 1.25	8
3	372050	Manifold, Exhaust	1
4	372051	Gasket, Manifold, Exhaust	1
5	372052	Shield, Manifold, Exhaust	1
6	372053	Gasket, Manifold, Intake	1
7	372066	Bolt, Shield, Manifold, Exhaust	5
8	372020	Stud, Manifold, M8 X 28	13

Fig. 6 - Camshaft Group

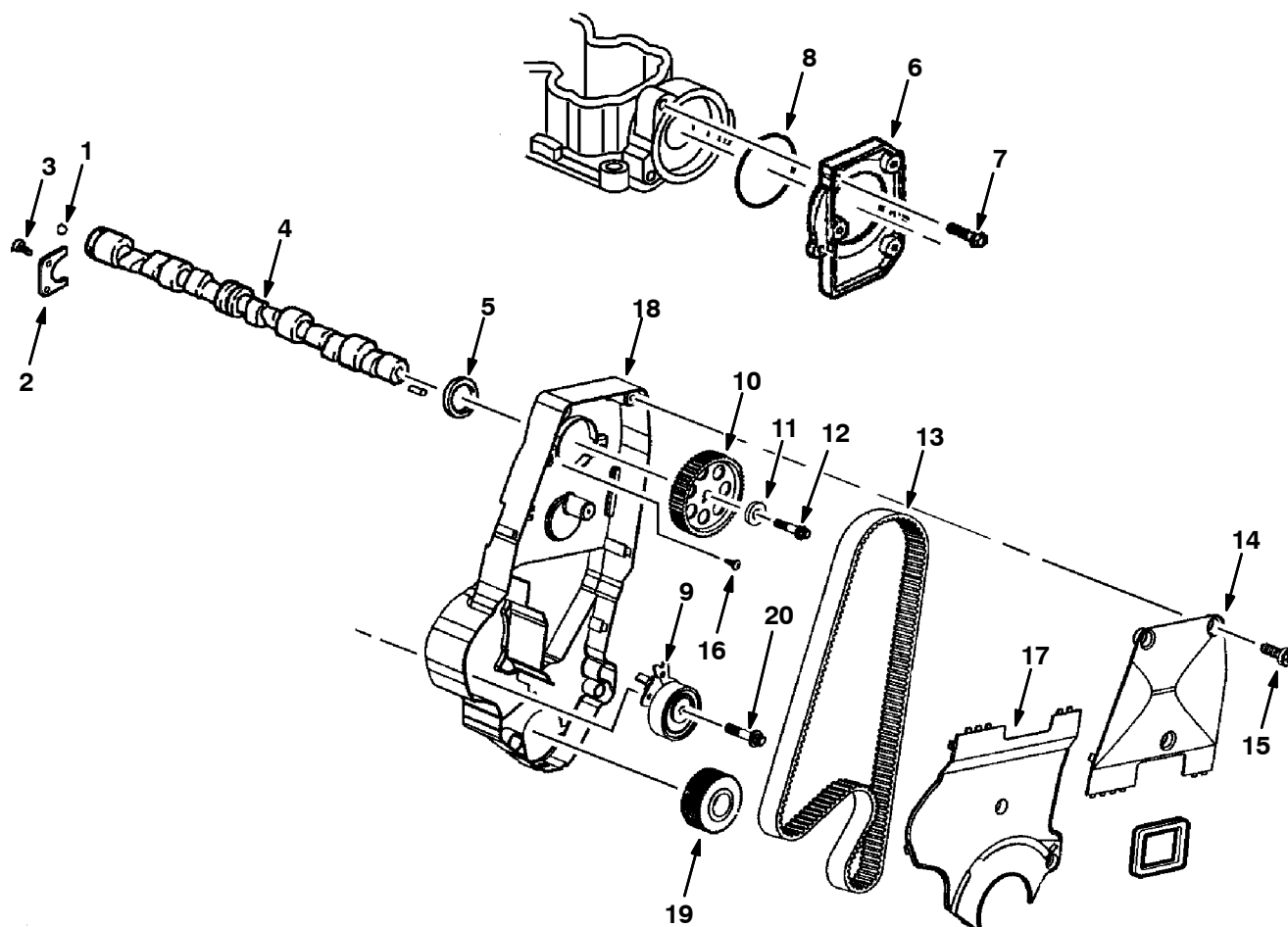
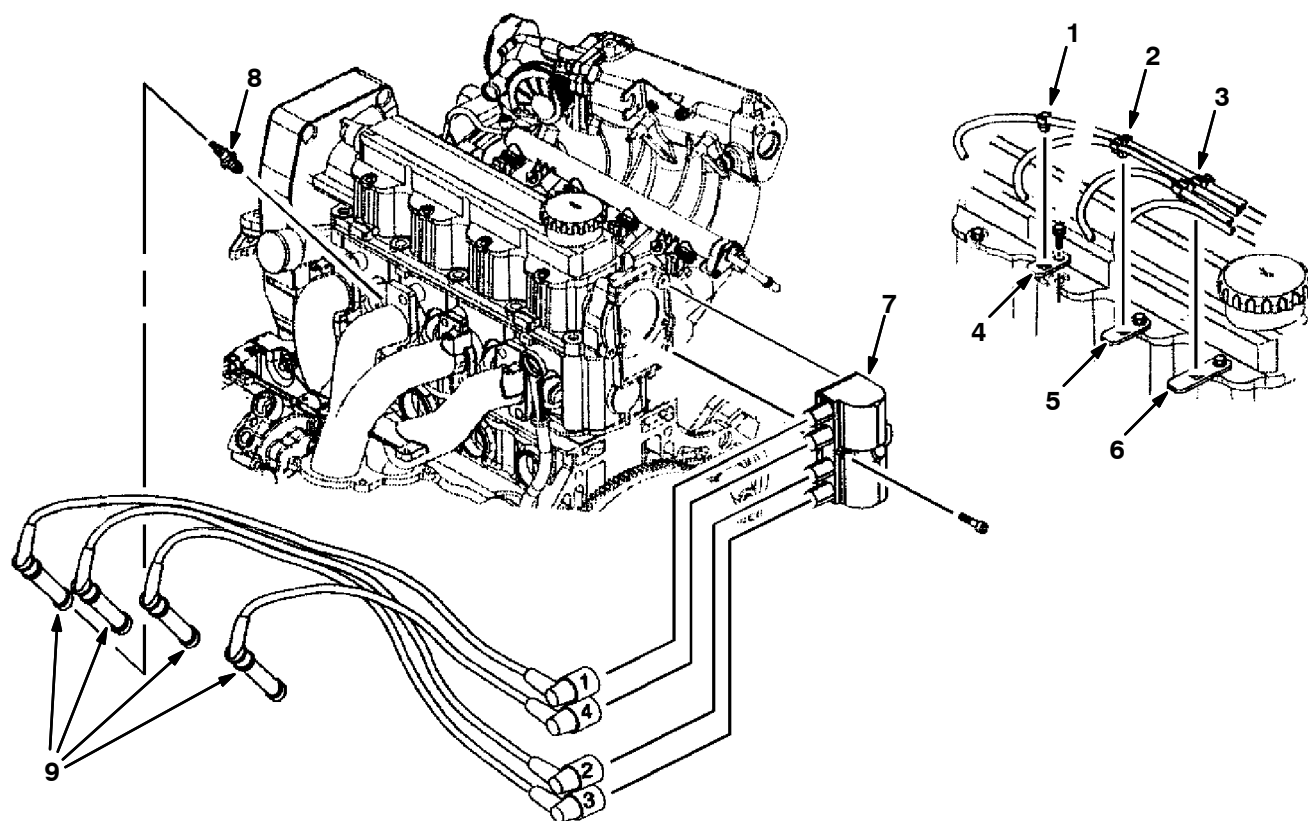


Fig. 6 - Camshaft Group

Ref.	Part No.	Description	Qty.
1	372009	Ball, Camshaft	1
2	372010	Retainer, Camshaft	1
3	372011	Bolt, Retainer, Camshaft, M6 X 1 X 16	2
4	372012	Camshaft	1
5	372013	Seal, Org, Bolt, Cover, Camshaft Hsng	1
6	372014	Cover, Hsng, Camshaft	1
7	372015	Bolt, Cover, Camshaft, M6 X 1 X 22	3
8	372016	Seal, Org, Bolt, Cover, Camshaft Hsng	1
9	9004674	Pulley, Tension, Belt, Timing	1
10	372040	Sprocket, Camshaft	1
11	372017	Washer, Sprkt, Camshaft	1
12	372041	Bolt, Sprocket, Camshaft, M10x1.25x60	1
13	372042	Belt, Timing	1
14	372043	Cover, Belt, Timing, Front	1
15	371961	Bolt, Eng Cover, M6 X 1 X 13	6
16	372046	Bolt, Tensioner, Timing Belt, M8x1.25x48	1
17	372044	Cover, Belt, Timing, Upper Front	1
18	372616	Housing, Camshaft	1
19	388552	Sprocket, Crankshaft	1
20	9004675	Bolt, Tensioner [GM]	1

## Fig. 7 - Ignition Group



G, LP

Ref.	Part No.	Description	Qty.
1	372054	Retainer, Sparkplug, 1 Way	1
2	372055	Retainer, Sparkplug, 2 Way	1
3	372056	Retainer, Sparkplug, 3 Way	1
4	372057	Bracket, Retaining, Wire, Sparkplug	1
5	372058	Bracket, Retaining, Wire, Sparkplug	1
6	372059	Bracket, Retaining, Wire, Sparkplug	1
7	372060	Coil, Ignition	1
8	372575	Sparkplug	4
9	372603	Wire Set, Sparkplug [1.6]	1

# SECTION 6

CONTENTS	PAGE
PART NUMBER TO PAGE NUMBER CROSS REFERENCE LIST .....	6-2
PART DESCRIPTION TO PAGE NUMBER CROSS REFERENCE LIST .....	6-13

# CROSS REFERENCE

## PART NUMBER TO PAGE NUMBER CROSS REFERENCE LIST

Part Number	Page Number	Part Number	Page Number	Part Number	Page Number
IB3614	4-10	06960	2-17	09029	2-85
00500-15	4-8, 4-9, 4-11	06961	2-51, 2-55	09037	2-33
00927	2-71, 2-73	06962	3-67, 3-68	09081	2-93, 2-97
00954	2-115	06965	3-67	09145	2-51
00960	2-51	06969	2-65, 2-75, 2-81	09198	2-3, 2-69
00966	4-10	06971	2-7	09200	2-15, 2-21, 2-41, 2-107, 3-17, 3-23,
01316	3-3, 3-61, 3-63	06972	2-23, 2-81		3-27, 3-31, 3-35, 3-39, 3-65
01493	2-9	06988	2-19	09206	3-19
01681	2-17	07255	2-25, 2-27	09228	3-57, 3-59
01683	2-25, 2-29, 2-69, 3-3, 3-17, 3-23, 3-27, 3-31, 3-35, 3-39, 3-61, 3-63	07259	2-75, 2-79, 2-81, 2-91	09252	2-15, 2-69
01684	2-3, 2-5, 2-77, 2-79, 2-81, 2-85, 2-87, 2-102, 2-107, 2-109, 2-111, 3-3, 3-31, 3-57, 3-59, 3-65	07514	3-17	09738	3-11
01685	2-53, 2-55, 2-57, 2-77, 2-79, 2-83, 2-85, 2-89, 2-91, 2-95, 2-99, 3-3, 3-7, 3-9	07782	2-19	09739	2-71, 2-73, 2-107, 3-11, 3-17, 3-23, 3-27, 3-35, 3-39, 3-41, 3-43, 3-45, 3-46, 3-47, 3-65
01686	2-7, 2-85, 2-87, 3-11, 3-67	07786	2-81, 2-95, 2-99	09740	2-7, 2-9, 2-15, 2-21, 2-57, 2-75, 2-77, 2-81, 2-85, 2-95, 2-99, 2-101, 2-105, 2-111, 2-113, 2-115, 2-137, 3-3, 3-5, 3-19, 3-31, 3-41, 3-43, 3-45, 3-57, 3-61, 3-63
01714	2-67, 2-69	07788	2-95, 2-99	09741	2-75, 2-81, 2-83, 2-85
01760	2-15	07791	2-35, 2-133	09744	2-102, 3-65
01762	2-71, 2-73, 3-7	08085	2-15	09767	2-83
02430	4-20	08166	2-53, 2-55	09832	2-57
02706	4-7	08170	2-67	1002789	3-21, 3-23, 3-25, 3-27
02850	2-15, 2-21, 2-58, 3-19	08171	2-65	1002898	3-19, 3-31
02931	2-91	08175	2-71, 2-73, 2-81	1002899	3-19, 3-31
03192	3-49, 3-68	08178	2-83	1005086	3-21, 3-23, 3-25, 3-27
03495	2-89	08179	2-67, 2-81, 2-83, 3-7, 3-9	1005255	3-19
03922	2-115	08180	2-63	1005302	3-17, 3-31
04403	2-3	08182	2-69, 2-95, 2-99	1005435	3-19, 3-31
04414	2-9, 2-23, 2-89	08236	2-75	1005506	3-17
04706	2-17	08708	2-9, 2-15, 2-17, 2-19, 2-25, 2-29, 2-43, 2-47, 2-49, 2-57, 2-61, 2-67	1005507	3-17
04733-10	2-83	08709	2-7, 2-9, 2-21, 2-37, 2-39, 2-41, 2-43, 2-45, 2-47, 2-49, 2-51, 2-57, 2-61, 2-67, 2-69, 2-95, 2-99, 3-13	1005508	3-17
04733-12	2-75, 2-81	08711	2-23, 2-65	1005552	3-17, 3-21, 3-23, 3-25, 3-27, 3-31
06279	2-83	08712	2-13, 2-53, 2-77, 2-79, 2-81, 2-83, 2-85, 2-87, 2-107, 2-109, 2-111, 3-3, 3-57, 3-59	1006400	3-31
06532	2-25, 2-27, 2-33	08713	2-53, 2-55, 2-57, 2-69, 2-71, 2-73, 2-79, 2-83, 2-85, 2-87, 2-89, 2-91, 2-93, 2-95, 2-97, 2-99, 2-101, 2-105, 2-113, 3-7, 3-11, 3-13	1006401	3-17
06548	2-67	08714	2-7, 2-91	1006410	2-109
06549	2-15, 2-25, 2-29, 2-61, 3-57, 3-61	08716	2-53, 2-55, 2-77, 2-81, 2-85, 2-107, 2-109, 2-111, 3-3	1006415	3-19
06927	2-21, 2-57	08875	2-101, 2-102	1006416	3-31
06928	2-7	09005	2-71, 2-73	1006447	3-17
06929	2-15	09007	2-85, 2-95, 2-99, 2-111	1007482	2-57
06938	2-25, 2-29	09010	2-69, 2-81, 2-85, 2-87, 2-101, 2-105, 2-109, 2-113, 3-7, 3-9, 3-13	1008916	2-19
06939	3-57, 3-61	09011	2-83, 2-85	1010668	3-23, 3-27, 3-31, 3-35, 3-39, 3-59, 3-63
06942	2-9, 2-19, 2-25, 2-27, 2-29, 2-33, 2-35, 2-57, 2-61, 2-67	09028	2-75, 2-95, 2-99, 3-68	1010684	3-17
06943	2-15, 2-43, 2-45, 2-47, 2-57			1010836	3-17
06946	2-27, 2-33			1011018	2-169
06949	2-39			1011019	2-169
06955	2-67, 2-105, 2-113			1011020	2-169
06956	2-37, 2-39			1011107	2-37, 2-39
06959	3-13			1011216	2-53, 2-55



# CROSS REFERENCE

Part Number	Page Number	Part Number	Page Number	Part Number	Page Number
1011353	2-23	1018463	2-57	1021497	2-91
1011412	3-17, 3-23, 3-27, 3-33, 3-35, 3-37, 3-39	1018499	3-17, 3-57, 3-61	1021514	2-43, 2-47
1011521	3-21, 3-25	1018776	2-15	1021546	2-91
1011780	2-43, 2-45, 2-47, 2-49	1018780	3-19	1021564	3-9
1011799	2-57	1018883	3-17	1021579	1-1, 2-135
1011837	3-57, 3-59, 3-61, 3-63	1018884	3-17	1021617	3-9
1011885	3-5	1018938	3-13, 4-13	1021789	2-53
1011895	2-37, 2-39	1018939	2-25, 2-29	1021794	3-7
1011899	2-43, 2-45, 2-47, 2-49	1019031	2-95	1021834	2-9
1012160	2-37	1019146	2-75	1021878	3-19, 3-31
1012248	2-39	1019225	2-7	1021881	3-57, 3-61
1013031	2-53, 2-55	1019228	2-15	1021920	2-111
1013086	2-37, 2-39	1019250	3-61, 3-63	1021991	2-137
1013117	2-55	1019265	2-57	1022003	2-77
10137	1-1, 2-61	1019273	2-57	1022004	2-21
1013902	3-19	1019285	2-111	1022031	2-67
1014082	3-19	1019295	1-1	1022069	2-19
1014563	2-57, 2-115, 3-49	1019394	2-37	1022088	2-107, 2-109
1014575	3-19	1019416	2-37	1022105	2-15
1014705	2-75	1019424	2-105, 2-113	1022106	3-11
1014929	3-31	1019445	3-41, 3-43, 3-45	1022111	3-7
1014974	3-5	1019526	2-87	1022113	2-53
1014986	3-31	1019636	3-5	1022135	3-7
1015012	2-171	1019646	3-29	1022137	2-105, 2-113
1015033	3-5	1019647	3-46, 3-47	1022140	2-69
1015041	2-57	1019939	2-37	1022176	2-101
1015044	3-3	1019940	2-37	1022182	2-102
1015045	2-107, 2-109, 3-11, 3-33, 3-37	1019968	2-57	1022188	3-7
1015047	3-31	1019971	3-41, 3-43, 3-45	1022229	3-5
1015067	3-23, 3-27, 3-35, 3-39	1020002	2-75	1022243	2-67
1015547	2-25, 2-27	1020003	2-75	1022260	3-7
1015930	2-25, 2-27, 2-30, 2-35	1020065	2-111	1022265	3-49
1016624	2-53	1020163	2-77	1022266	3-49
1016837	3-3	1020166	1-1, 2-77	1022276	3-49
1017112	2-3	1020168	2-9	1022302	3-7
1017141	2-171	1020186	2-21	1022318	3-11
1017218	2-9, 2-15, 2-21, 2-85, 2-87, 2-101, 2-105, 2-111, 2-113, 2-115, 2-137, 3-5, 3-19, 3-31, 3-41, 3-43, 3-45, 3-61, 3-63	1020207	2-77	1022345	2-69
1017248	3-43, 3-46	1020208	2-77	1022359	2-77
1017250	3-45, 3-47	1020263	2-111	1022363	2-77
1017368	2-3, 2-5	1020320	2-115	1022364	2-25, 2-27
1017672	2-7, 3-11	1020394	2-137, 4-15	1022370	2-111
1017868	1-1, 2-89	1020428	2-102	1022377	2-115
1017903	2-63	1020434	2-171	1022545	2-91
1017947	2-41	1020487	2-15	1022666	2-131
1017969	2-53	1020526	3-65	1022668	2-85
1017978	2-43	1020540	2-9	1022683	2-85
1017987	2-47	1020548	2-95	1022699	2-9
1018059	2-58	1020602	2-53	1022736	2-67
1018097	3-19	1020744	2-105, 2-113	1022779	2-69
1018098	3-17, 3-31	1020904	2-9	1022787	2-69
1018142	2-53, 2-55	1020949	2-43, 2-45, 2-47, 2-49	1022794	2-53
1018208	2-7	1021019	2-71, 2-73	1022798	2-69
1018333	3-23	1021047	2-7, 3-11	1022825	2-95, 2-99
		1021210	3-5, 4-3	1022831	2-89
		1021265	2-17	1022846	2-93, 2-97
		1021290	2-61	1022903	2-83
		1021325	3-3	1022978	2-99
		1021404	2-91	1023063	2-87
		1021439	3-9	1023081	2-133
		1021473	3-9	1023239	2-89

# CROSS REFERENCE

Part Number	Page Number	Part Number	Page Number	Part Number	Page Number
1023288	2-23	1024648	2-83	1026130	2-81
1023303	2-73	1024658	2-85	1026142	2-113
1023306	2-95	1024695	2-17	1026150	2-7
1023307	2-99	1024764	2-125	1026195	2-87
1023314	2-99	1024853	2-115	1026222	2-3
1023334	2-85	1024891	2-115	1026223	2-3
1023464	2-11	1024934	2-41	1026316	2-111
1023476	2-91	1024977	3-67	1026319	2-133
1023482	2-37, 2-39	1025005	1-1, 3-7	1026352	2-71, 2-73
1023485	3-15	1025041	2-81	1026417	2-87
1023486	3-15	1025092	2-105	1026550	2-37, 2-39
1023487	2-123	1025100	2-75, 2-81	1026576	2-61
1023488	2-121	1025101	2-171	1026628	2-21
1023489	2-121	1025132	2-135	1026645	2-123
1023491	2-109	1025140	2-68	1026664	2-37
1023493	2-101	1025151	2-93, 2-97	1026665	2-21
1023497	2-101	1025159	3-5	1026726	2-21
1023499	2-15	1025178	2-91	1026743	3-57, 3-61, 4-21
1023502	2-105, 2-113	1025196	2-21	1026746	3-67
1023508	2-101	1025198	2-81	1026759	2-37, 2-39
1023510	2-101	1025229	2-37, 2-39	1026804	2-83
1023545	2-135	1025254	2-7	1026806	2-83
1023569	2-11	1025320	2-81	1026825	2-15
1023585	3-57, 3-61	1025405	3-13	1026831	2-87
1023606	2-123	1025435	2-9	1026900	2-87
1023607	2-123	1025445	3-15	1027099	2-57
1023608	2-121	1025449	2-105, 2-113	1027103	2-57
1023609	2-121	1025452	2-105, 2-113	1027108	2-85
1023617	2-71	1025460	2-91	1027143	2-85
1023667	3-11	1025480	2-105, 2-113	1027147	2-85
1023685	2-85	1025487	2-67	1027218	2-9
1023754	2-115	1025495	2-67	1027228	2-61
1023769	2-125, 2-127	1025544	2-125	1027233	2-69
1023853	2-57	1025547	2-123	1027237	3-61, 3-63
1023879	3-49	1025548	2-125, 2-127	1027267	2-9
1023917	2-85	1025562	2-111	1027269	2-7
1023926	2-17	1025601	2-91	1027284	2-13
1024131	2-101	1025619	2-111	1027290	1-1, 2-102
1024138	2-15	1025620	2-111	1027313	2-69
1024141	2-169	1025663	3-67	1027347	2-7
1024175	2-101	1025736	2-15	1027353	2-171
1024177	2-21	1025806	2-21	1027372	2-171
1024217	2-101	1025826	2-77	1027426	2-101
1024237	3-31	1025872	2-115	1027588	3-68
1024249	2-63	1025887	2-115	1027688	2-5
1024251	2-131, 4-7	1025888	2-115	1027697	2-3
1024260	2-17, 4-19	1025916	2-15	1027716	1-1, 3-7
1024274	2-61	1025968	2-79	1027719	1-1, 2-89
1024309	2-87	1025990	3-15	1027798	3-43, 3-45, 3-46, 3-47
1024407	2-79, 4-11	1025991	3-15	1027800	3-43, 3-45, 3-46, 3-47
1024425	2-15	1025992	3-15	1027810	2-75
1024450	2-87	1026003	2-57	1027850	3-68
1024464	2-15	1026007	2-83	1027856	2-43, 2-45, 2-47, 2-49
1024478	2-17	1026014	2-111	1027916	2-7
1024500	2-21	1026025	2-67	1027926	3-9
1024535	2-105, 2-113	1026051	2-105, 2-113	1027976	3-61, 3-63
1024570	2-77	1026067	3-19	1027978	3-61, 3-63
1024576	2-95, 2-99	1026074	3-17	1028049	2-83
1024586	1-1	1026080	2-71, 2-73	1028074	2-107
1024599	2-105, 2-113	1026119	3-13	1028136	2-55

## CROSS REFERENCE

Part Number	Page Number	Part Number	Page Number	Part Number	Page Number
1028173	2-111	1029545	2-19	1031826	2-7
1028203	2-65	1029652	2-19	1031827	2-7
1028205	2-109	1029748	2-102	1031945	1-1, 2-89
1028211	2-111	1029790	3-61, 3-63	1032216	2-169
1028236	2-89	1029964	2-71, 2-73	1032242	2-51
1028249	2-85	1030017	2-9	1032323	2-45, 2-49
1028253	2-7	1030073	2-23	1032399	2-69
1028270	3-15	1030280	2-111	1032450	2-171
1028328	2-111	1030404	2-121	1032546	2-85
1028334	2-85	1030407	3-57, 3-59	1032701	2-109
1028343	2-35	1030441	4-22	1032743	2-71, 2-73
1028374	2-89	1030444	4-22	1032812	2-39
1028412	2-21	1030503	3-67	1032830	3-49
1028433	1-1, 2-81	1030511	3-23, 3-27, 3-35, 3-39	1032831	3-49
1028440	2-81	1030515	3-67	1032869	3-65
1028446	2-81	1030522	3-67	1032884	3-65
1028495	2-79	1030557	3-67	1033156	2-21
1028516	2-21	1030558	2-81	1033297	3-19
1028522	2-111	1030588	2-15, 2-21	1033428	2-51
1028558	2-55	1030593	2-9	1033644	1-1, 2-51
1028559	2-55	1030617	2-102	1033746	2-39
1028570	2-111	1030709	2-129	1033897	2-39
1028582	3-17	1030863	3-17	1033901	2-39
1028590	2-65	1030864	3-17	1033975	2-9
1028635	2-95, 2-99	1030878	3-17	1034147	2-91
1028690	2-105, 2-113	1030910	2-75	1034282	2-91
1028691	2-105, 2-113	1030911	2-75	1034655	2-39
1028697	3-5	1030969	2-3	1034676	2-39
1028701	2-105, 2-113	1031011	1-1, 2-93, 2-97	1034764	2-11
1028711	2-27	1031017	2-171	1034765	2-11
1028722	2-33	1031152	2-85	1034766	2-11
1028753	2-55	1031206	2-15	1034767	2-15
1028769	2-13	1031217	2-79	1034768	2-11
1028772	2-13	1031233	2-101	1034769	2-11
1028821	2-133	1031235	2-102	1034770	2-11
1028822	2-133	1031286	2-79	1034878	2-135
1028905	2-3	1031305	2-85	1035031	2-51
1028924	2-39	1031312	2-27, 2-33	1035044	2-111
1028929	2-55	1031331	1-1, 2-89	1035056	2-51
1028972	2-97	1031351	2-85	1035068	2-19
1028979	2-97	1031413	2-75	1035133	3-70
1028994	2-55	1031439	2-23	1035222	2-57
1029057	3-61, 3-63	1031543	2-19	1035530	2-51
1029061	2-129	1031553	2-49	1035727	2-91
1029062	2-129	1031557	2-19	1035771	2-51
1029082	2-27, 2-33	1031572	3-5	1035794	3-31
1029118	3-19	1031609	2-45	1035832	2-9
1029128	2-93	1031610	2-111	1035976	2-58
1029132	2-93	1031614	2-45, 2-49	1035997	2-9
1029153	3-61, 3-63	1031665	2-9, 2-13, 2-17	1036240	2-7
1029155	3-61, 3-63	1031699	2-111, 4-3	1036710	2-123
1029156	3-61, 3-63	1031796	4-21	1036801	3-31
1029185	2-107	1031797	4-21	1036892	2-13, 2-45, 2-49
1029293	2-39	1031798	4-21	1036899	2-129
1029295	2-39	1031799	4-21	1036939	2-125
1029362	2-13	1031800	4-21	1036965	3-15
1029379	3-7, 4-9	1031801	4-21	1036997	2-107
1029396	3-51, 3-53	1031802	4-21	1037011	3-13
1029399	3-61, 3-63	1031803	4-21	1037042	2-129
1029497	3-5	1031823	1-1, 2-93, 2-97	1037346	2-61

# CROSS REFERENCE

Part Number	Page Number	Part Number	Page Number	Part Number	Page Number
1037749	3-70	1045764	2-57	17185	2-71, 2-73, 3-17
1037805	3-13, 4-17	1046798	2-111	17284	3-11
1037809	3-40	1047098	2-101, 2-102	17414	2-41
1037825	3-23, 3-35	1047169	2-9	17461	2-75, 2-81, 2-95, 2-99, 3-9
1037940	2-63	1047295	2-9	17521	2-107
1037970	2-19	1047625	4-17	17980	2-17
1037971	2-19	1048474	2-101, 2-102	19064	2-57, 3-51, 3-57, 3-59
1037972	2-19	1048512	2-101, 2-102	19065	2-15
1038074	2-107	1049254	3-31	19066	2-15, 2-21, 2-51, 2-61, 3-41, 3-43, 3-45, 3-46, 3-47, 3-57, 3-61
1038115	3-9	1049259	3-31	19191	2-79, 3-7
1038137	2-75, 2-95, 2-99, 3-9	1050295	3-49	19312	2-27, 2-33
1038258	2-71, 2-73	1051026	2-3	19313	2-51, 3-49
1038498	2-7	10632-17	3-46, 3-47, 3-49	19315	2-23, 2-27, 2-33
1038499	2-57	10632-19	3-17, 3-31	19317	2-27, 2-33
1038569	2-121	10632-2	3-5	19583	2-63
1038805	2-101, 2-102	10832	2-23	19760	2-41
1039019	3-5	10908	2-3	20170	2-67
1039049	2-111	10917	4-21	20394	2-19, 3-61, 3-63
1039064	2-107	11399	2-7, 2-87	20778	2-61
1039072	2-111	11442-1	2-35	20807	2-109
1039091	2-7	11531	2-53, 2-55, 2-57, 3-51	20833	1-1, 2-91
1039348	2-85, 2-95, 2-99	11842	2-69	20944	3-5
1039357	3-31	11984	3-19	20951	3-5
1039396	2-77	12295	2-71, 2-73	20952	3-5
1039468	2-81	12309	2-85	21168	2-21, 2-77, 2-85, 2-93, 2-97
1039469	2-81	12317	2-7, 2-101, 3-11, 3-67	21196	3-67
1039521	2-37	13534	2-71, 2-73	21197	2-37, 2-69, 2-79
1039652	2-111	13698	2-133	21198	2-131, 3-57, 3-59
1039697	2-111	13904	4-13, 4-15, 4-17	21601	2-89
1039757	2-101, 2-102	13907	4-7, 4-15	21602	2-89
1040018	2-77	14432	2-43, 2-45, 2-47, 2-49	21603	2-89
1040098	2-87	14595-1	2-67	21606	2-89
1040318	2-133, 2-135	14605	2-67	21623	2-85
1040467	2-17, 2-19, 2-58	14838	2-3, 2-5	21657	4-20
1040524	2-3	14877	3-3, 3-5, 3-17, 3-31	21659	4-20
1040633	3-65	150100	3-17	21851	2-15
1040800	3-65	150208	3-55	21852	2-3
1040841	2-11	150516	2-27, 2-35	21933	4-19
1040863	3-67	150525	3-19	21934	4-19
1040871	3-67	150538	3-31	21935	4-19
1041151	2-35	150540	3-31	21955	4-9
1041152	2-35	150709	3-31	21956	4-9
1041291	2-58	150713	3-31	21958	4-9
1042003	2-105	15331	2-19	21960	4-11
1042010	2-113	15539	2-3, 2-5	222027	2-81
1042028	2-23	15543-2	2-43, 2-47	222210	2-81
1042046	2-109	15648	2-105, 2-113	222267	2-101, 2-102
1042499	2-5	15675	2-71, 2-73	222268	2-87
1042500	2-5	15678	3-31	222290	2-61
1042504	2-5	16213	2-69	222320	2-3
1042710	4-22	16411	1-1	222321	2-3
1042711	4-22	16412	1-1	222322	2-3
1042963	2-79	16462	2-127	222324	2-3
1042968	3-7	16695	4-8, 4-9, 4-11	222325	2-3
1043481	2-27, 2-35	16735	2-51, 2-111, 3-9	222326	2-3
1044342	3-31	16931	2-9, 2-15, 2-19, 2-21, 2-37, 2-39, 2-41, 2-43, 2-45, 2-47, 2-49, 2-51, 2-63, 2-67, 2-115	222327	2-3
1044343	3-31				
1045272	3-13				
1045444	3-67				
1045759	2-129	16968	2-13		

# CROSS REFERENCE

Part Number	Page Number	Part Number	Page Number	Part Number	Page Number
222496	2-53, 2-55, 2-71, 2-73, 2-79	32483	2-15, 2-17, 2-25, 2-27, 2-29, 2-33, 2-37, 2-39, 2-43, 2-47, 2-53, 2-55, 2-57	360802	2-65
222505	2-53, 2-55, 2-85, 2-91	32485	2-23, 2-51, 2-55, 2-69, 2-75, 2-91, 2-131	360824	3-65
222516	2-105, 2-113	32486	2-17, 2-23, 2-57, 2-65, 3-9	361047	3-15
22290	2-17	32490	2-9, 2-23, 2-27, 2-33, 2-35, 2-57, 2-61, 2-67, 2-69, 3-17, 3-19	361071	2-13
22297	2-57	32491	2-7, 2-9, 2-15, 2-17, 2-19, 2-21, 2-37, 2-39, 2-41, 2-43, 2-45, 2-47, 2-49, 2-51, 2-55, 2-57, 2-63, 2-67, 2-69, 2-71, 2-73, 2-75, 2-81, 2-83, 2-101, 2-105, 2-109, 2-111, 2-113, 2-133, 2-135, 3-9, 3-11, 3-13, 3-49, 3-57, 3-61, 3-65	361073	2-13
223054	2-83			361075	2-13
22308-6	2-41	32492	2-7, 2-15, 2-37, 2-41, 2-55, 2-69, 2-79, 2-91, 2-101, 3-7, 3-49, 3-57, 3-59, 3-67, 3-68	361339	2-67, 2-69, 2-77, 2-81, 3-17, 3-19
223080	2-15	32493	2-7, 2-23, 2-85	363162	2-89
223198	2-75, 3-67	32716	2-41, 2-51	36328	2-85, 2-95, 2-99
223470	3-7	32746	2-3, 2-5	363301	2-89
223599	2-13	32747	2-3	363458	2-7
22609	4-11	32981	2-37, 2-39, 2-115	363976	2-9, 2-51
22614	4-11	32983	2-15, 2-51	364347	2-67
22615	4-11	32987	2-63	364441	2-89
22790	4-3	32988	2-51	364749	2-15
23156	2-41	331470	3-70	364864	2-67
23285	4-3	331471	3-70	364948	2-67
23498	2-105, 2-113, 2-115	331472	3-70	365009	2-127
23788	2-67	331473	3-70	365164	2-43, 2-47
24012	2-53, 2-55	331475	3-70	36643	2-41, 2-69, 2-115
24047	2-41	33295	3-3	36644	2-75
24105	3-3	33373	2-91	367770	2-83, 3-57, 3-59
24196	3-41, 3-43, 3-45, 3-46, 3-47	33580	4-5	367771	2-85
24265	2-21, 3-3	33671	2-61	367949	2-101, 2-102
24299	2-3, 2-5	33932	2-21, 2-69, 2-93, 2-97, 3-3	368391	2-15
24339	2-63	34178	4-5	36845	3-9
24358	2-111, 4-3	34359	3-13	369359	3-7, 3-67
24543	3-5	34390	2-79	369704	2-61
24544	3-3, 3-17, 3-31	35493	4-10	369745	2-43, 2-45, 2-47, 2-49
24555	2-89, 2-91	35707	2-41	369746	1-1, 2-43, 2-45, 2-47, 2-49
24928-1	2-41	35710	2-41	369747	2-43, 2-45, 2-47, 2-49
24976	2-23	360023	2-65	370091	2-3
25014	2-55	360074	2-65	370095	2-3
25046	2-79, 3-7	360270	2-65	370100	2-89
25122	1-1, 2-135	360271	2-65	371527	2-51
25312	3-69	360272	2-65	371770	2-35
25611	2-79, 3-7	360273	2-65	371790	3-70
25686	2-71, 2-73	360274	2-65	371854	2-45, 2-49
25735	2-91, 2-93, 2-97	360275	2-65	371855	2-23
26496	2-41	360276	2-65	371860	2-23, 2-53, 2-55
27048	2-35, 2-37, 2-41	360801	2-95, 2-99, 2-111	371861	2-53, 2-55
28854	4-9			371863	2-51
29557	3-9			371865	2-51
29558	3-9			371866	2-23
29584	2-83			371868	2-23
30407	2-57			371869	2-23
31354	4-8, 4-9			371870	2-23
31375	4-8			371871	2-51
31376	4-11			371872	2-51
31379	4-8			371876	2-23
31383	4-8			371877	2-23, 2-35
31543	3-35			371890	2-23
31613	1-1, 2-135			371931	5-5
32126	2-63			371932	5-5
32183	3-5			371933	5-5
				371934	5-5
				371935	5-5
				371936	5-5

# CROSS REFERENCE

Part Number	Page Number	Part Number	Page Number	Part Number	Page Number
371937	5-5	372004	5-7	372470	2-27, 2-33
371938	5-5	372005	5-7	372482	2-29
371940	5-8	372007	5-3	372484	2-29
371941	5-8	372008	5-3	372486	2-25
371942	5-5	372009	5-11	372489	2-25
371943	5-8	372010	5-11	372491	2-53
371944	5-5	372011	5-11	372493	2-25, 2-29
371945	5-5	372012	5-11	372497	2-30
371946	5-5	372013	5-11	372498	2-29
371947	5-7	372014	5-11	372500	2-29
371948	5-7	372015	5-11	372501	2-30
371949	5-7	372016	5-11	372503	2-29
371950	5-7	372017	5-11	372506	2-29
371951	5-7	372018	5-3	372507	2-29
371952	5-7	372019	5-3	372510	2-29
371954	5-3	372020	5-9	372511	2-29
371955	5-3	372021	5-9	372512	2-29
371956	5-3	372022	5-3	372514	2-29
371957	5-3	372023	5-3	372515	2-29
371958	5-3	372024	5-3	372517	2-29
371959	5-8	372025	5-3	372518	2-29
371960	5-8	372026	5-3	372523	2-29
371961	5-8, 5-11	372027	5-3	372528	2-29, 2-35
371962	5-5	372028	5-3	372529	2-35
371963	5-5	372029	5-3	372534	2-25, 2-27, 2-33
371964	5-5	372030	5-3	372536	2-51
371965	5-5	372031	5-3	372537	2-25, 2-29
371966	5-5	372032	5-3	372539	2-35
371967	5-5	372033	5-3	372541	2-23
371968	5-5	372034	5-3	372542	2-25
371969	5-5	372035	5-3	372543	2-25, 2-27, 2-33
371970	5-5	372036	5-3	372544	2-25, 2-27, 2-29
371971	5-5	372037	5-3	372545	2-25, 2-27
371972	1-1, 2-23, 5-8	372038	5-3	372546	2-25
371973	5-8	372039	5-3	372547	2-25, 2-27, 2-29, 2-33
371975	5-8	372040	5-11	372548	2-27, 2-29, 2-33
371976	5-5	372041	5-11	372549	2-25, 2-27, 2-29, 2-33
371978	5-5	372042	5-11	372550	2-25, 2-27, 2-29, 2-33
371979	5-5	372043	5-11	372554	2-23
371980	5-7	372044	5-11	372556	2-23
371981	5-7	372046	5-11	372557	2-51
371983	5-7	372047	5-3	372558	2-29
371984	5-7	372048	5-3	372560	5-8
371986	5-7	372049	5-9	372563	2-25
371987	5-7, 5-8	372050	5-9	372566	2-25
371988	5-7	372051	5-9	372567	5-7
371990	5-3, 5-7	372052	5-9	372569	2-29
371991	5-7	372053	5-9	372572	5-7
371992	5-8	372054	5-12	372573	5-3
371993	5-7	372055	5-12	372574	5-3
371994	5-7	372056	5-12	372575	1-1, 5-12
371995	5-8	372057	5-12	372576	2-29
371996	2-23, 5-7	372058	5-12	372577	2-29
371997	5-7	372059	5-12	372579	2-29, 2-33
371998	5-7	372060	5-12	372580	2-29
371999	5-3, 5-5	372066	5-9	372582	2-29
372000	5-7	372235	2-169	372603	5-12
372001	5-7	372236	2-169	372605	2-29
372002	2-23, 5-7	372237	2-169	372606	2-29
372003	5-7	372440	1-1, 2-37, 2-39	372607	2-29

# CROSS REFERENCE

Part Number	Page Number	Part Number	Page Number	Part Number	Page Number
372608	2-29	373670	4-13, 4-15	384983	2-35
372609	2-29	373671	4-15	384984	2-35
372610	2-29	373672	4-13, 4-15, 4-17	384985	2-27, 2-33
372611	2-29	373673	4-13, 4-15	384986	2-35
372612	2-29	373674	4-11	384990	2-169
372613	2-29	373678	4-7	384991	2-33
372615	1-1, 2-29, 2-35	373679	4-7	384992	2-27
372616	5-11	373680	4-7	384995	2-27, 2-33
372857	2-29	373681	4-7	384996	2-33
372858	2-25	373683	4-17	384997	2-169
372862	2-23	373684	4-17	384998	2-169
372863	3-70	373685	4-17	384999	2-169
372882	5-3	373686	4-17	385009	2-39
372898	2-29	374560	2-63	385029	2-23
372953	2-23	374563	2-63	385644	3-21, 3-23, 3-33, 3-57, 3-61
373217	4-5	374704	3-27, 3-39	385685	2-102, 2-111, 3-5
373226	4-5	375321	3-61, 3-63	386088	2-95, 2-99
373236	4-5	375322	3-3	386264	2-89
373260	4-5	37555	4-8, 4-9, 4-11	386298	2-89
373291	4-5	37616	4-5	386652	3-5
373297	4-5	377349	2-101, 3-3	387237	2-89
373298	4-5	377537	1-1	387433	2-89
373299	4-5	377538	1-1	387500	2-89
373317	4-7	377540	1-1	388552	5-11
373327	4-7	37756	4-5	38968	4-5
373346	4-7	379030	2-81, 2-83	39005	2-83
373347	4-7	379609	2-63, 4-5	390994	2-101
373348	4-7	379870	2-85, 2-95, 2-99	391368	2-19
373389	4-7	381502	2-67, 2-83	391804	2-85
373391	4-7	381854	2-127	391957	2-169
373393	4-7	381866	2-127	39210	2-137, 3-13
373394	4-7	382099	2-75	392171	2-13
373395	4-7	382224	2-67, 2-83	392609	2-115
373398	4-7	382320	2-101, 2-102, 2-111, 3-69	392629	2-37
373402	4-7	382516	2-13	392645	2-41
373413	4-7	38255	4-5	39277	2-7, 2-9, 2-37, 2-39, 2-41, 2-43, 2-45, 2-47, 2-49, 2-57, 2-105, 2-113, 2-133, 2-135
373427	4-7	38263	4-11	39278	2-69
373429	4-7	383165	2-13	39279	2-67
373434	4-7	383912	2-37	39281	2-91
373493	4-7	384418	2-21, 2-93, 2-97	39283	2-9, 2-23
373494	4-7	384419	2-21	39284	2-53, 2-55
373631	4-15	384442	2-51, 2-53, 2-55	39308	2-95, 2-99
373633	4-13, 4-17	384961	5-5	39311	2-9, 2-51
373640	4-13, 4-15, 4-17	384962	5-8	393129	2-87
373642	4-13, 4-15, 4-17	384963	5-5	393135	2-93, 2-97, 2-105, 2-113, 3-65
373646	4-13, 4-15, 4-17	384964	5-5	393209	2-51
373647	4-13, 4-15, 4-17	384966	5-7	393215	2-63
373648	4-13, 4-15	384968	5-7	393255	3-11
373656	4-13, 4-17	384970	2-35	39349	2-9, 2-51, 2-63, 2-69, 2-87, 2-95, 2-99, 2-105, 2-113
373657	4-13, 4-15, 4-17	384971	2-35	39350	2-63
373658	4-13, 4-15, 4-17	384972	2-27, 2-33	394916	2-169
373661	4-13	384973	2-35	394921	2-169
373662	4-13, 4-17	384974	2-27, 2-33	39527	4-8
373663	4-13, 4-15, 4-17	384975	2-35		
373664	4-13, 4-15, 4-17	384976	2-33		
373665	4-15	384977	2-35		
373666	4-15	384978	2-35		
373667	4-15	384979	2-35		
373668	4-15	384980	2-33		
373669	4-15				

# CROSS REFERENCE

Part Number	Page Number	Part Number	Page Number	Part Number	Page Number
39534	2-115	45622	4-5	54274	2-57, 2-115
395973	2-137, 3-13	45623	4-5	54275A	2-115
395974	2-137, 3-13	45628	4-8, 4-9, 4-11	54333	2-27, 2-35, 2-37, 2-39, 2-61, 2-109, 3-11, 3-17, 3-21, 3-23, 3-25, 3-27, 3-31, 3-33, 3-35, 3-37, 3-39, 3-57, 3-59, 3-61
396221	2-121	46236	3-43, 3-45		
396255	2-123	46314	2-25, 2-29		
396273	2-123	46480	2-137		
396278	2-127	46481	2-133		
396438	2-123	46482	2-135, 2-137	54390	2-65
396476	2-137, 3-13	46559	2-69	54607	2-67
397648	3-57, 3-59	46563	2-67	54615	2-111
397826	2-87	46800	3-7	54620	2-79
39785	2-51	47504	3-13	54655	2-69
397914	2-3	47512	2-131	54861	2-115
397974	2-3	47513	2-131	55272	3-43, 3-45, 3-46, 3-47
39810	2-23	47522	2-63	55455	2-135
39811	2-75	47585	2-17	55586	2-71, 2-137, 3-13
398279	2-43, 2-45, 2-47, 2-49	47801	2-63	55685	2-135, 3-13
398468	2-37, 3-17	48079	2-69	55845	3-51
398474	3-17	48126	2-39	55926	4-7
398500	3-57, 3-61	48267	2-37	56078	2-71, 2-73
398501	2-13	48610	3-57, 3-59	56185	2-17
399249	2-3	48813	4-10	56186	3-17, 3-31, 3-57, 3-61
40362	2-135	48985	2-75, 3-9	56690	2-17, 2-135, 3-13, 3-15
40625	2-133	48996	2-51	56692	3-7
40678	2-133	48998	2-51	56820	2-17, 2-137, 3-13
41130	2-115	49145	2-65	56821	2-131, 3-7
41141	2-7, 2-85	49266	2-13, 2-25, 2-27, 2-63, 3-17, 3-46, 3-47	56835	2-17
41142	2-51	49694	2-79	56976A	2-41
41169	2-69	49697	2-93, 2-97	56992	2-13
41178	2-15, 2-21, 2-58	49800	2-15, 2-57	57189	2-115
41185	2-85, 2-95, 2-99	49933	2-115, 2-137	57248	3-31
41186	2-51, 2-69, 2-105, 2-113, 2-115, 3-9	50178	3-11	57297	2-41
41187	2-69, 2-95, 2-99	50335	2-23, 2-69	57315	2-63
41295	3-3, 3-5	50544	2-107	57702	3-67
41315	2-107	51109	2-67	57769	3-57, 3-59
41346	3-9	51176	2-23	57804	2-61, 2-169
41361	2-23	51305	2-25, 2-27, 2-30, 2-35, 2-57	578060000	3-55
41399	2-69	51338	2-63	578061000	3-55
41430	2-41, 2-57, 3-49, 3-67	51339	2-63	578063000	3-55
41445	2-95, 2-99	51754	2-125	578064000	3-55
41579	2-3	51787	2-133	578066000	3-55
41619	2-75, 2-81, 2-83, 2-95, 2-99	51824	2-75	578071000	3-53
42011	2-51	51839	2-25, 2-27, 2-30, 2-35	578072000	3-53
42120	2-75, 2-81	52405	4-5	578074000	3-55
42133A	3-3, 3-17, 3-31	53076	2-131	578077000	3-55
42180	2-69	53400-1	2-41	578078000	3-55
42223	2-63	53466	2-7, 2-9, 2-57, 2-61, 2-133, 3-19	578091000	3-55
42226	2-115, 2-137, 3-13	53485	4-10	578094000	3-55
42467	2-69	53782	2-85	578123000	3-55
43555	2-105, 2-113	53947	2-69	578124000	3-55
43844	2-25, 2-27, 2-30, 2-35, 2-57, 2-58, 2-109, 3-3, 3-5, 3-31	53953	2-69	578125000	3-55
44868	2-71, 2-73, 2-79, 2-131, 2-137, 3-13	54017	2-121	578126000	3-55
44869	2-79, 2-131, 2-135, 3-13	54051	2-63	578143000	3-55
45261	2-85	54052	2-63	578154000	3-55
		54087	2-63	578155000	3-55
		54095	4-10	578160000	3-53
		54205	2-69	578161000	3-55
				578164000	3-55
				578214000	3-55



# CROSS REFERENCE

Part Number	Page Number	Part Number	Page Number	Part Number	Page Number
578228000	3-55	65341	3-53	74099	4-8
578276000	3-53	65342	3-57, 3-59	74100	4-8, 4-9
578318000	3-53	65441	2-69	74101	4-11
578439	3-55	65580	3-51, 3-57, 3-59	74122	4-5
578820000	3-53	65582	3-55	74123	4-5
578821000	3-55	65610	3-55	74125	4-5
579112	3-55	65695	2-71, 2-73	74165	4-5
57946	2-125	67004	3-51, 3-57, 3-59	74166	4-5
58311	2-67	67555	2-75	74167	4-5
58494	2-15	67767	2-35, 2-57, 2-69, 2-111	74168	4-5
58589	2-41	67811	2-131	74180	4-7
58590	2-41	68866	2-69	74183	4-19
58592	2-135	68869	2-61	74185	4-19
58819	2-7, 2-9, 2-68	69173	2-79, 2-137	74193	4-19
58842	2-63	69582	2-67	74196	4-19
58979	2-79, 2-111	69785	2-101	74222	4-19
59009	2-67	70096	4-7	74225	4-7
59156	2-41, 3-9	70100	4-7	74226	4-7
59194	2-95	70157	2-9	74232	4-19
59195	2-99	70563	2-71, 2-73	74233	2-115, 4-10
59378	4-10	70622	2-17	74237	4-7
59577	2-17	70623	2-17	74243	4-19
59633	3-9	70624	2-79	74244	4-19
59668	2-69	70709	2-17	74245	4-19
60090	3-13	70717	2-17	74250	4-8, 4-9, 4-11
602036000	3-55	71100	2-83	74440	2-69
60295	2-61	71101	2-83	74455	2-57, 2-133
61212	3-57, 3-59	71340	2-63	75456-3	2-115
61490	4-8, 4-9	71341	2-63	75456-4	2-115
61920	3-41	71367	2-67	75968	2-17
62471	2-133	71369	2-75	760740	2-85
62595-15	2-39	71579	2-7, 2-85	76099	2-77, 3-19, 3-23, 3-27, 3-35, 3-39
63175-1	3-9	71607	2-95, 2-99	761490	2-7, 3-11
63233	3-9	71726	2-135	762249	3-17
63234	2-69	71727	2-137	762514	2-61
63244-2	3-3	71729	2-71, 2-73, 4-8	763090	2-75
63245-1	3-17, 3-27, 3-39	71735	2-123	763114	3-17
63378	2-41	71741	2-123	763115	3-46, 3-47
63430	3-51	71868	3-9	763116	3-17, 3-23, 3-35
63448	3-51	71869	3-9	76426	2-111
63451	3-51	71874	3-9	76570	2-105, 2-113
63468	2-91	71941	2-19	768481	2-17
63810	2-25, 2-27, 2-30, 2-35, 2-107, 2-109, 3-3, 3-5, 3-11, 3-21, 3-23, 3-33, 3-35, 3-37, 3-57, 3-61, 3-63	72926	2-63	76888	2-15
63923	4-20	72968	3-51, 3-57, 3-59	76958	2-51
63987-1	2-109	72970	2-17	769785	3-61, 3-63
64425	2-91, 2-93, 2-95, 2-97, 2-99, 3-7	73027	2-17	77003	4-15
64743	3-17	73260	3-3, 4-20	77005	4-13, 4-15, 4-17
64778	3-61, 3-63	73281	2-63	77006	4-15
65145-1	2-131	73342	4-3	77097	2-79, 2-83, 2-95, 2-99, 2-137, 3-9
65180	2-91	73411	2-69	77098	2-75, 2-81, 3-9
65197	2-123	73433	3-3	77221	2-171
65215	2-135	73471	2-25, 2-27, 2-30, 2-35, 2-57	77347	2-7
65230	4-9	73736	2-13	77488	2-83
65241	4-8	74027	2-87	78122	2-41, 3-57, 3-59
65340	3-55	74077	2-21	78398	3-3, 4-3
		74090	2-105, 2-113	78829	4-3
		74094	4-8, 4-9, 4-11	78830	4-3
		74095	4-8	78833	4-3
		74098	4-8, 4-11, 4-15		

# CROSS REFERENCE

Part Number	Page Number	Part Number	Page Number	Part Number	Page Number
78836	4-3	9002391	2-13	9004493	2-89
78838	4-3	9002392	2-13	9004514	4-22
78839	4-3	9002393	2-57	9004515	3-31, 4-22
78840	4-3	9002394	2-53, 2-55	9004674	5-11
78841	4-3	9002395	2-37	9004675	5-11
78842	4-3	9002398	2-135	9004880	2-13
78843	4-3	9002401	2-7	9004983	2-55
78875	4-20	9002409	2-9	9006398	2-71, 2-73
78950	4-21	9002436	2-13		
78951	4-21	9002437	2-13		
78952	4-21	9002553	1-1		
79273-1	3-21, 3-23, 3-25, 3-27	9002554	1-1		
79273-2	2-107, 2-109	9002555	1-1		
79380	2-115	9002613	1-1		
79399	2-23	9002670	2-101		
79484	3-3	9002684	2-115		
79497	3-3	9002708	4-3		
79506	2-105, 2-113	9002709	4-3		
79729	4-5	9003008	4-22		
79828	4-5	9003009	4-22		
80288	2-9	9003055	2-87		
80395	2-89, 2-105, 2-113	9003057	2-93, 2-97		
80409	2-91	9003058	2-85		
80950	2-91	9003059	2-85		
81582	2-87	9003060	2-83		
81784	2-95, 2-99	9003061	2-79		
81952	2-91	9003068	2-102		
82727	2-9	9003069	2-101		
82839	3-11	9003070	2-102		
83578	2-25, 2-27, 2-30, 2-35	9003071	2-101		
83874	1-1, 2-89	9003072	2-111		
83879	2-69	9003134	3-51		
84170	2-69	9003135	3-67		
84596	2-63	9003139	3-61		
84597	1-1, 2-63	9003142	3-68		
86508	3-3	9003143	3-65		
86636	2-111	9003247	2-79		
86659	2-65	9003249	2-79		
86751	2-67	9003282	3-63		
86759	3-7	9003313	2-111		
86767	3-51	9003345	5-3		
86866	2-75, 2-81, 2-83	9003390	2-27		
87536	2-13	9003391	2-33		
87631	2-71, 2-73	9003422	2-9		
87730	2-37	9003423	2-9		
87816	2-95, 2-99	9003425	2-9		
87866	1-1, 2-13	9003426	2-9		
9000355	2-37, 2-39	9003428	2-9		
9000845	3-43, 3-46	9003429	2-9		
9000846	3-45, 3-47	9003431	2-9		
9000879	3-43, 3-45, 3-46, 3-47	9003432	2-9		
9001314	3-49	9003433	2-9		
9001316	3-69	9003455	2-115		
9001321	3-41	9003461	2-115		
9001327	3-43	9003610	2-39		
9001331	3-45	9003793	2-105		
9001717	3-47	9003794	2-113		
9001718	3-46	9003832	2-55		
9002380	2-9	9003926	3-70		
9002381	2-9	9004118	2-101		

## PART DESCRIPTION TO PAGE NUMBER CROSS REFERENCE LIST

## A

- Ace, Thrust, Motor, Hyd [En], 4-9, 4-11  
 Actuator, Valve, By-Pass [En], 4-7  
 Adapter [1.6], 2-29  
 Adapter, Head / Wand [17b/E], 3-55  
 Adapter, Intake, Throttle Body, 2-25, 2-27, 2-33  
 Adapter, Plate, 2-29  
 Adapter, Rod-End, Side Brush, 3-9  
 Adapter, Throttle Body, 2-29  
 Adapter, Valve, 400mm [Bosch], 2-33  
 Adapter, Valve, Fuel Trim, 2-29  
 Alarm Assy, Backup, 12-24vdc 82-107dba, 3-41  
 Alarm Kit, Backup, Ci [M20 And T20], 3-41  
 Alarm, Warning [Sonalert, St628], 2-61  
 Alternator, 12vdc 075a [Multi Grv], 2-51  
 Angle, Brace, Shrd, 2-21  
 Angle, Deflector, 2-77  
 Angle, Mtg, Stil, .12 3.7 3.4 09.11, 2-105, 2-113  
 Angle, Mtg, Stil, .12 4.2 2.0 01.41, 2-101  
 Angle, Mtg, Stil, .18 2.2 1.9 03.01, 2-101  
 Angle, Mtg, Stil, .19 3.1 1.8 01.41, 2-101  
 Angle, Mtg, Valve, 2-105, 2-113, 3-11  
 Angle, Protector, Lh, 2-83  
 Angle, Protector, Rh, 2-83  
 Angle, Sppt, Fan, 2-115  
 Arm [Positioning], 2-69  
 Arm Wldt, Lift, Sqge, Lh, 2-99  
 Arm Wldt, Safety, Sppt, Seat, .38d 06.5d, 2-15  
 Arm Wldt, Safety, Sppt, Seat, .38d 10.11, 2-111  
 Arm Wldt, Sqge, Lift, Rh, 2-95  
 Arm, Cntrl, Pintle, Centering, 2-69  
 Arm, Lever, Brake, 4.1 [Knott], 2-65  
 Arm, Lift, Head [5700], 2-81  
 Arm, Link, 3-9  
 Arm, Pinch, 2-105, 2-113  
 Arm, Pintle, 2-69  
 Arm, Rocker, Valve, 5-3  
 Arm, Sqge, Side, Lh, 2-99  
 Arm, Sqge, Side, Rh, 2-95  
 Axle, Wand [17b/E], 3-55
- Battery, Wet, 12vdc 0475cca, 1-1  
 Bearing Kit [CI], 4-19  
 Bearing Kit, Cshft, 1.989-1.995mm (Brown), 5-5  
 Bearing Kit, Cshft, 1.989-1.995mm (Green Blue), 5-5  
 Bearing Kit, Cshft, 1.995-2.001mm (Brown Blue), 5-5  
 Bearing Kit, Cshft, 1.995-2.001mm (Green), 5-5  
 Bearing Kit, Cshft, 2.114-2.120mm, 5-5  
 Bearing Kit, Cshft, 2.120-2.126mm, 5-5  
 Bearing Kit, Rod, Connecting, Std, 5-5  
 Bearing, Ball, 0.98b 2.05d 0.59w, 2-71, 2-73  
 Bearing, Ball, 1.18b 2.44d 0.63w, 2-65  
 Bearing, Cone, 1.38b 0.71w, 2-63  
 Bearing, Cone, Pump, Hyd, 4-7  
 Bearing, Cup, 2.56d 0.55w, 2-63  
 Bearing, Cup, 4-7  
 Bearing, Flng, 2-Hole, 0.50b, 2-17  
 Bearing, Flng, 2hole, 0.50b [Nyl], 2-17  
 Bearing, Pillowblock, 1.02b [Solid Pye], 2-67  
 Bearing, Rlr, Cam 52 X 14 X 20, 2-85  
 Bearing, Self Align, 0.75b 1.25d, 2-75, 2-81  
 Bearing, Split, 1.00b, 2-67, 2-83  
 Bearing, Thrust, 0.53b 1.00d 0.03w, 3-9  
 Bearing, Thrust, 0.75b 1.25d 0.06w, 2-85  
 Bearing, Thrust, Pump, Hyd, 4-7  
 Bearing, Thrust, 4-9, 4-11  
 Belt, Ribbed, 38.5l, 1-1, 2-51  
 Belt, Timing, 5-11  
 Blade, Sqge, .38 3.55w 038.3l, Linatex, 2-93  
 Blade, Sqge, .38 3.55w 038.3l, Ure (Option), 2-93, 2-97  
 Blade, Sqge, .38 3.55w 038.3l, Ure, 1-1  
 Blade, Sqge, 300.8mml, Wand [17b/E, G], 3-55  
 Blade, Sqge, 37.08l Linatex, 1-1, 2-97  
 Blade, Sqge, Front [Linard], 1-1  
 Blade, Sqge, Front, 49.58l Linatex, 2-89  
 Blade, Sqge, Front, 49.58l Ure (Option), 2-89  
 Blade, Sqge, Front, 49.59l Pyu, 1-1  
 Blade, Sqge, Rear, 53.78L Pyu, 1-1  
 Blade, Sqge, Rear, 53.78l Ure (Option), 2-89  
 Blade, Sqge, Rear, Linatex, 1-1, 2-89  
 Block, Centering, 2-83  
 Block, Short, Eng, W/ Piston & Ring, 5-5  
 Bolt, Bracket, Sensor, Cshft Position, 5-7  
 Bolt, Bracket, Screen, Oil Pump, M6x1x1, 5-7  
 Bolt, Camshaft Cover, 5-3  
 Bolt, Carriage, M10 X 1.5 X 70, 2-91  
 Bolt, Connecting Rod, 5-5  
 Bolt, Cover, Camshaft, M6 X 1 X 22, 5-11  
 Bolt, Cover, Oil Pump, M6 X 14, 5-7  
 Bolt, Cover, Water Pump, 5-7  
 Bolt, Eng Cover, M6 X 1 X 13, 5-11  
 Bolt, Eye, .25-20 X 1.40 X .25 Eye, 2-69  
 Bolt, Eye, M08 X 1.25 X 070mm, 05.50 Eye, 2-95, 2-99  
 Bolt, Flywheel, 5-5  
 Bolt, Head, Cyl, 5-3  
 Bolt, Hsng, Thermostat, 5-3  
 Bolt, M06 X 1.00 X 13mm, 5-8  
 Bolt, M08 X 1.25 X 25mm, 5-5  
 Bolt, M10 X 1.50 X 75mm, 5-5  
 Bolt, M12 X 1.75 X 62mm, 5-5  
 Bolt, Motor, Hyd, 4-5  
 Bolt, Oil Pump Screen/Camshaft Cover, 5-7  
 Bolt, Pan, Oil, 5-8  
 Bolt, Pulley, Cshft, 5-5  
 Bolt, Pump, Oil, 5-7  
 Bolt, Retainer, Camshaft, M6 X 1 X 16, 5-11  
 Bolt, Sensor, Position, Cshft, 5-7  
 Bolt, Shield, Manifold, Exhaust, 5-9  
 Bolt, Shld, .31d X 1.00, .25-20, 2-69  
 Bolt, Shld, 1.37d X 5.13l, 1.1-18 Drilled, 2-63  
 Bolt, Soc Head, M5 X 80 X 35, 2-33  
 Bolt, Sprocket, Camshaft, M10x1.25x60, 5-11  
 Bolt, Tensioner [GM], 5-11  
 Bolt, Tensioner, Timing Belt, M8x1.25x48, 5-11  
 Bolt, Tube [Pvc], M6 X 1 X 15, 5-3  
 Boot, .63id .29l .90w, 2-13  
 Boot, Bellows, 3.1l 4.4w 2.8h 1hole, Neo, 2-17  
 Boot, Switch, Ignition, 2-13  
 Bracket Wldt, Arm, Lower Cntrl, 2-81  
 Bracket Wldt, Cooler, Hyd Fluid, 2-133  
 Bracket Wldt, Head, Lower, Lh, 2-81  
 Bracket Wldt, Head, Lower, Rh, 2-81  
 Bracket Wldt, Latch, 2-19  
 Bracket Wldt, Mtg [Fast Gen 2+], 3-31  
 Bracket Wldt, Mtg [Fast], 3-19  
 Bracket Wldt, Mtg, Caster, 2-91  
 Bracket Wldt, Mtg, Eng, Back, Gas/Lpg, 2-23  
 Bracket Wldt, Mtg, Regulator, Lpg, 2-35  
 Bracket Wldt, Mtg, Side Brush, 3-7  
 Bracket Wldt, Mtg, Sqge, 2-91  
 Bracket Wldt, Mtg, Tank, 2-9  
 Bracket Wldt, Pivot, 2-85  
 Bracket Wldt, Propel, Pintle, 2-69  
 Bracket Wldt, Steering, Tilt, 2-17  
 Bracket Wldt, Tilt, Rh, 2-17  
 Bracket, Alternator, 2-51  
 Bracket, Anchor, Strap, Alternator, 2-51  
 Bracket, Angle, Sppt, Shield, 2-81  
 Bracket, Angle, Stop, 2-85  
 Bracket, Axle, 1 Hole [17b/E], 3-55  
 Bracket, Axle, 3 Hole [17b/E], 3-55  
 Bracket, Ftg, Bh, 2-57

## B

- Bag, Power, 3-51, 3-57, 3-59  
 Ball, Camshaft, 5-11  
 Bar Wldt, Retainer, Sqge, Rear, 2-89  
 Bar, Flat, Ss, .06 X .50 X 10.0l 2/.19sl, 2-13  
 Bar, Flat, Stil 0.19, 01.50 X 04.1l, 2-63  
 Bar, Retainer, 3-7  
 Bar, Rnd, Plstc, 0.31d 12.5l, 2-101, 2-102  
 Base Assy, Fan, W/O Pulley, 2-51  
 Base Assy, W/ Pulley [Gm1.6l 2007], 2-51  
 Battery, 12vdc, 0475cca, Ah, Wet, 2-61

## CROSS REFERENCE

- Bracket, Guide, Shrd, 2-21  
Bracket, Keeper, Latch, 2-102  
Bracket, Latch, Cover, 2-21, 2-102, 3-65  
Bracket, Latch, Keeper [Southco], 2-21  
Bracket, Latch, Shrd, Seat, 2-15  
Bracket, Lift, Sqge, 2-91  
Bracket, Mtg [Ecu], 2-25, 2-29  
Bracket, Mtg [Fast Gen 2+], 3-31  
Bracket, Mtg [Fast], 3-19  
Bracket, Mtg, Cable, 2-67  
Bracket, Mtg, Cover (Replaced by 9003893), 2-111  
Bracket, Mtg, Cover, Recvy Tank, 2-111  
Bracket, Mtg, Cyl, 2-69, 2-95, 2-99  
Bracket, Mtg, Detgt And Spray Wand, 3-5  
Bracket, Mtg, Ecu [M20/T20 2007], 2-27  
Bracket, Mtg, Ecu, 2-33  
Bracket, Mtg, Fan, 2-115  
Bracket, Mtg, Fltr, Air, 2-43, 2-45, 2-47, 2-49  
Bracket, Mtg, Fuel, 2-37  
Bracket, Mtg, Insulation, 2-9  
Bracket, Mtg, Latch, Tank Cover, 2-101, 2-102  
Bracket, Mtg, Latch, 2-57  
Bracket, Mtg, Lift, Scb Head, 2-75  
Bracket, Mtg, Mirror, Rearview, 3-49  
Bracket, Mtg, Motor, 2-115  
Bracket, Mtg, Muffler [M20/T20 2007], 2-55  
Bracket, Mtg, Prop Rod, 2-111  
Bracket, Mtg, Pump, 3-57, 3-61  
Bracket, Mtg, Radiator, 2-57  
Bracket, Mtg, Scb Head, Lh, 2-75  
Bracket, Mtg, Scb Head, Rh, 2-75  
Bracket, Mtg, Skirt, Door, Brush, 2-93, 2-97  
Bracket, Mtg, Skirt, 2-77  
Bracket, Mtg, Spray Handle, 3-61, 3-63  
Bracket, Mtg, Spray Wand [Fast, Conv], 3-61, 3-63  
Bracket, Mtg, Spring, 2-75  
Bracket, Mtg, Sqge, Disk Head (Disk Scrub Head), 2-7  
Bracket, Mtg, Sqge, 3-7  
Bracket, Mtg, Static Strap, 2-85  
Bracket, Mtg, Strainer, 3-5  
Bracket, Mtg, Tank, 2-101  
Bracket, Mtg, Torque Tube, 2-81  
Bracket, Mtg, Valve, Hyd, Scb, 2-137  
Bracket, Mtg, Valve, 2-107, 3-3  
Bracket, Mtg, Wand, 3-57, 3-59  
Bracket, Mtg, 2-9  
Bracket, Muffler, Hanger, Front, 2-53  
Bracket, Propel, Gas/Lpg, 2-69  
Bracket, Protector, Float Switch (Replaced by 9003797), 2-111  
Bracket, Reg [1.6l], 2-29  
Bracket, Retainer, Pump, 3-31  
Bracket, Retainer, Safety, 2-69  
Bracket, Retainer, Shield, Heat, 2-53  
Bracket, Retainer, Spring, 2-3, 2-5  
Bracket, Retaining, Cover (Replaced by 9003893), 2-111  
Bracket, Retaining, Hose, 2-105, 2-113, 3-65  
Bracket, Retaining, Wire, Sparkplug, 5-12  
Bracket, Screen, Oil Pump, 5-7  
Bracket, Seat, Adj, 2-15  
Bracket, Sensor, Position, Cshft, 5-7  
Bracket, Shield, Heat, 2-21  
Bracket, Sppt, Cover, Tank, Recvy, 2-111  
Bracket, Sppt, Radiator, Upper, 2-58  
Bracket, Sppt, Revl Light, 3-41, 3-43, 3-45  
Bracket, Sppt, Shield, 2-85  
Bracket, Spring, 2-85  
Bracket, Valve, Sba [M20 And T20], 3-13  
Bracket, Valve, Water, 2-109  
Bracket, Wand, Handle, 3-55  
Bracket, Wand, Valve Mtg, 3-55  
Brake Assy, Drum, Mech, 07.0d 1.2w, 2-65  
Brkt, Ftg, 2-79  
Brush Assy, Disk, Scb, 14.0 D, Polypropylene, 2-3  
Brush Assy, Disk, Scb, 14.0 D, Soft Nylon, 2-3  
Brush Assy, Disk, Scb, 14.0d, Super Abrasive, 2-3  
Brush Assy, Disk, Scb, 16.0D, Nyl, 2-5  
Brush Assy, Disk, Scg, 16.0 D, Polypropylene, 2-5  
Brush Assy, Disk, Scg, 16.0 D, Super Abrasive, 2-5  
Brush Assy, Disk, Swp, 24.oD, Polypropylene, 2-5  
Brush, Power Wand, W/ Fastener, Abr, 3-55  
Brush, Power Wand, W/ Fastener, Pyp, 3-55  
Brush, Swp / Scb, 40l, Heavy Duty Polypropylene, 2-3  
Brush, Swp / Scb, 40l, Polyester, 2-3  
Brush, Swp / Scb, 40l, Polypropylene, 2-3  
Brush, Swp / Scb, 40l, Super Abrasive, 2-3  
Bumper Kit, Hd, Ci [T20], 3-68  
Bumper Wldt, Brush, Side, 3-7  
Bumper Wldt, Rear (Replaced by 9003679), 2-7  
Bumper Wldt, Rear, 2-7  
Bumper, Rbr, 0.5d 0.16t M5 X 08, 2-69  
Bumper, Rbr, 0.6d 0.34t .3d Tip, 2-133  
Bumper, Rbr, 1.00d 0.38th M8x1.25, 2-81  
Bumper, Sqge, 2-89  
Bumper, Ure, 1.50d 1.25l, 3-67  
Bushing, Eccentric, Adj, 2-105, 2-113  
Bushing, Flng, 0.32b 0.50d 0.24l, Bnz, 2-91  
Bushing, Flng, 0.50b 0.59d 0.38l, 2-105, 2-113  
Bushing, Flng, 0.63b 0.75d 0.38l, 2-91, 2-93, 2-97  
Bushing, Flng, 1.50b 1.65d 1.00l, 2-79  
Bushing, M06-1.50 X .25-27npt, 2-25, 2-29  
Bushing, Sleeve, 0.37b 0.50d 0.50l, Oib, 2-67  
Bushing, Sleeve, 0.50b 0.59d 0.50l, Bnz, 3-9  
Bushing, Sleeve, 0.62b 0.72d 0.50l, Fgl, 2-91  
Bushing, Sleeve, 0.63b 0.72d 0.38l, 2-95, 2-99  
Bushing, Sleeve, 0.75b 0.88d 0.25l, 2-105, 2-113  
Bushing, Sleeve, 0.78b 0.86d 0.93l, Bnz, 2-65  
Bushing, Sleeve, 1.00b 1.13d 1.50l, Fgl, 3-9  
Button, Cntrl, Horn, 2-17  
Bypass Valve Kit, Pump, Repair,, 4-21
- ### C
- Cable, Battery, 02ga 48.0l Red .41ring, 2-61  
Cable, Battery, 02ga 60.0l Blk .41ring, 2-61  
Cable, Glv .06d 012.0l .26eye /.26eye, 3-67  
Cable, Glv .09d 016.5l .38eye /.38eye, 2-19  
Cable, Glv .13d 015.8l .50eye /.50eye, 2-95, 2-99  
Cable, Push / Pull, 063.0l 4.0, .31-24, 2-67  
Cable, Push / Pull, 098.0l .25-28/.25-28, 2-69  
Cable, Ss .12d 013.3l .2clevis /.2clevis, 2-83  
Cam, Centering, Pintle, 2-69  
Cam, Plt, Brake [Nickel], 2-65  
Cam, Rear, 2-89  
Cam, 2-89  
Camshaft, 5-11  
Cap Assy, Tank, Drain, 2-111, 4-3  
Cap Screw Cl, 4-9  
Cap Screw, 4-8  
Cap, Breather, Hyd, 2.4 Ds, 1-1, 2-135  
Cap, End, Valve, Steering, 4-19  
Cap, Filler, Oil, W/ Org, 5-3  
Cap, Fuel, Tank, 2-39  
Cap, Hub, Dust 2.57d 0.77l, 2-65  
Cap, Radiator, 14psi [Stant Ao-2516], 2-57  
Cap, Rbr, 0.50id 1.18l Blk, 2-109  
Cap, Spring, Valve, 5-3  
Cap, Tank, Fuel, 2.3neck 2.6d, 2-37  
Cap, Tank, 3-5  
Cartridge, Psi Cntrl, Valve, Hyd, 4-13, 4-15, 4-17  
Caster, Pivot, 2-91  
Catch, Latch, Tank Cover, 2-101, 2-102  
Channel Wldt, Guard, Sqge, 3-67  
Channel Wldt, Pivot, 3-9  
Channel, Shield, Muffler [M20/T20 2007], 2-55  
Channel, Shield, Muffler, 2-53  
Channel, Sppt, Tank, 2-101  
Chech Valve Kit, Pump, Repair,, 4-21  
Clamp Wldt, Front, 2-89  
Clamp Wldt, Rear, 2-89

Clamp, Cable, Ss, 1.12d X 0.38w, 1h, 2-107  
 Clamp, Cable, Ss, 2.50d X 1.00w, 1h, 2-9  
 Clamp, Cable, Stl, 0.25D X 0.56W, 1Hole, 3-43, 3-45  
 Clamp, Cable, Stl, 0.44d X 0.62w, 1h, 2-133  
 Clamp, Cable, Stl, 0.69d X 0.62w, 1h, 2-57, 2-69, 2-111  
 Clamp, Cable, Stl, 0.69d X 0.62w, 1hole, 2-35  
 Clamp, Cable, Stl, 1.50d X 1.00w, 1h, 2-9, 2-57, 2-61, 2-133, 3-19  
 Clamp, Cable, Stl, 1.50d X 1.00w, 1hole, 2-7  
 Clamp, Cable, Stl, 2.00d X 0.75w, 1 Hole, 2-37  
 Clamp, Cable, Stl, 2.00d X 0.75w, 1hole, 2-39  
 Clamp, Hose, 1.0, 2-35  
 Clamp, Hose, 1.75 [Pcv], 5-3  
 Clamp, Hose, Ear, 11-13mm, Ss, 3-53  
 Clamp, Hose, Ear, 8-11mm, Ss, 3-55  
 Clamp, Hose, Plstc .351-.394 Id, 3-19  
 Clamp, Hose, Spring Stl, 0.86d X 0.38w, 2-43, 2-45, 2-47, 2-49  
 Clamp, Hose, Spring, 0.62d, 2-35  
 Clamp, Hose, Spring, 0.75d, 2-35  
 Clamp, Hose, Wormdrive, 0.25-0.62d, .31w, 2-25, 2-27, 2-30, 2-35, 2-57, 2-58, 2-109, 3-3, 3-5, 3-31  
 Clamp, Hose, Wormdrive, 0.31-0.88d, .31w, 2-27, 2-35, 2-37, 2-39, 2-61, 2-109, 3-11, 3-17, 3-21, 3-23, 3-25, 3-27, 3-31, 3-33, 3-35, 3-37, 3-39, 3-57, 3-59, 3-61  
 Clamp, Hose, Wormdrive, 0.56-1.06d, .56w, 2-25, 2-27, 2-30, 2-35, 2-107, 2-109, 3-3, 3-5, 3-11, 3-21, 3-23, 3-33, 3-35, 3-37, 3-57, 3-61, 3-63  
 Clamp, Hose, Wormdrive, 0.81-1.50d, .50w (Disk Scrub Head), 2-7  
 Clamp, Hose, Wormdrive, 0.81-1.50d, .50w, 2-87  
 Clamp, Hose, Wormdrive, 1.06-2.00d, .56w, 2-53, 2-55, 2-57, 3-51  
 Clamp, Hose, Wormdrive, 1.56-2.50d, .50w, 2-57  
 Clamp, Hose, Wormdrive, 1.81-2.75d, .50w, 2-43, 2-45, 2-47, 2-49  
 Clamp, Hose, Wormdrive, 2.50-3.50d, .50w, 2-105, 2-113  
 Clamp, Hose, Wormdrive, 3.56-4.50D, .50W, 2-115  
 Clamp, Hose, Wormdrive, 3.56-4.50d, .50w, 2-105, 2-113  
 Clamp, Hose, Wormdrive, 3.75-4.62d, .62w, 2-115  
 Clamp, Hyd, 0.50d, 2-71, 2-73  
 Clamp, Mtg, Fltr, Air, 2-43, 2-45, 2-47, 2-49  
 Clamp, Muffler, 1.62d, 2-53, 2-55  
 Clamp, Spring, 1.50, 2-45, 2-49  
 Clevis, Adj, 0.25 Pin, 0.25-28 Rh, Pl, 2-67

Clevis, Adj, 0.25pin, 0.25-28left Pl, 2-67  
 Clevis, Adj, 0.31pin, 0.31-24, 2-67  
 Clip, .250h, Plstc [Pine-Tree], 2-21, 2-85, 2-93, 2-97  
 Clip, .250h, Plstc [Pine-tree], 2-77  
 Clip, Grip, Finger, .875-1.25, 3-61, 3-63  
 Clip, Grip, Finger, 1.00-1.88d White,Vyl, 3-51, 3-57, 3-59  
 Clip, Keeper, Open, 2-57  
 Clip, Retainer, .25d, 2-85  
 Clip, Wiper, 2-85  
 Coil, Ignition, 5-12  
 Collar, Split, 1.50b .50w 2/Bolt, 2-79  
 Column, Pump, Water, 4-3  
 Column, Steering, 09.9l 0.86d 36tooth, 2-17  
 Complete Pump Kit, Pump, Repair,, 4-21  
 Connector, Fem, 02cav, Mp280 Sealed, 4-21  
 Connector, Fuel, E90, Qf, 2-37  
 Connector, Fuel, Qf, 2-37, 2-39  
 Converter, Lpg, 2-29  
 Cooler, Hyd, 25gpm 325btu Of12 13x12x2, 2-133  
 Coupler, Pump, 4-7  
 Coupling, Drive, 13t, 2-23  
 Coupling, Hose, 2-7  
 Coupling, Nozzle, Spray, 3-61, 3-63  
 Coupling, Tube, Vacuum, 2-87  
 Cover Kit, Soltn Tank, Rh [M20 & T20], 2-101  
 Cover Kit, Tank, Recvy, Replmt [T20], 2-111  
 Cover Kit, Tank, Soltn, Lh, Replmt, Ce (Japan and CE Only), 2-102  
 Cover Kit, Tank, Soltn, Lh, Replmt, 2-102  
 Cover Kit, Tank, Soltn, Rh, Replmt, Ce (Japan and CE Only), 2-101  
 Cover Wldt [Fast], 3-19  
 Cover, Belt, Timing, Front, 5-11  
 Cover, Belt, Timing, Upper Front, 5-11  
 Cover, End, 4-7  
 Cover, Fuse, Block, 2-61  
 Cover, Hose, 2-35  
 Cover, Hsng, Camshaft, 5-3, 5-11  
 Cover, Hsng, Flywheel, 2-23  
 Cover, Pump, Oil, 5-7  
 Cover, Tank, Soltn, Lh, Trimmed, Ce (Japan and CE Only), 2-102  
 Cover, Tank, Soltn, Lh, Trimmed, 2-102  
 Cover, Tank, Soltn, Rh, Trimmed, Ce (Japan and CE Only), 2-101  
 Cover, Tank, Soltn, Rh, Trimmed, 2-101  
 Cover, Tank, 2-111  
 Crank Kit, Pump, F/79323, Replmt, 4-20  
 Crankshaft, 5-5  
 Crossmember Wldt, Lift, 2-91  
 Crossmember Wldt, Sqge (Disk Scrub Head), 2-7  
 Cuff, Swivel, 1.5 Blk, 3-53  
 Cup Holder, Rwk, 2-13  
 Cylinder, Hyd, 1.5b 07.8l 02.75strk 2500, 3-9

Cylinder, Hyd, 1.5b 07.8l 02.80strk 2500, 2-75, 2-95, 2-99, 3-9  
 Cylinder, Hyd, 1.5b,07.8l,02.80strk,2500, 2-81, 2-83  
 Cylinder, Hyd, 2.0b,15.2l,09.00strk,3000, 2-63

**D**

Detergent Pkg, 4 Liter, Sgl [Tco 665], 3-19  
 Device, Centering, Clip On, TI [Gf Pp], 2-3  
 Diaphragm Kit, Pump, Repair,, 4-21  
 Diode, Ele, Plug, 2-61  
 Dipstick, Oil, 5-8  
 Disk, Driver, Pad, W/ Face, 14.0d, 2-3  
 Door Wldt, Brush, Idler, 2-71, 2-73  
 Door Wldt, Brush, Lh, 2-99  
 Door Wldt, Brush, Rh, 2-95  
 Door Wldt, Brush, 2-71, 2-73  
 Drive [CI], 4-9  
 Drive, Motor, Hyd, 4-5  
 Drive, 4-8, 4-11  
 Driver Assy, Pad, 14 D, Brush, 2-3  
 Driver Assy, Pad, 14.0d, 2-3  
 Drum, Cable, Lift, 2-83

**E**

Element, Fltr, Air [Dn], 1-1, 2-43, 2-45, 2-47, 2-49  
 Element, Fltr, Air, Safety (Option), 2-43, 2-45, 2-47, 2-49  
 Element, Fltr, Oil, Eng, Spin-On, 1-1, 2-23, 5-8  
 End Cap, Motor, Hyd [En], 4-9, 4-11  
 End Cap, 4-8  
 Engine [Long Block Gm 1.6l] (See Breakdown), 2-23  
 Extinguisher Kit, Fire, Ci [M20 And T20], 3-69  
 Extinguisher, Fire, 2.5 Lb Dry, 3-69

**F**

Fan Kit, Scrub, Replmt [M20/T20], 2-115  
 Fan, Cooling, 15.5d, 6 Blade, .5b Taper, 2-51  
 Fan, Cooling, Pusher, 15.5D [2007], 2-51  
 Fast 665 4 Ltr, Detergent, 3-31  
 Fast Kit, Ci, Injector Filters[Fast li+], 4-22  
 FaST Kit, Ci, Injector Rebuild[FaST II+], 4-22  
 Fast Kit, Ci, Injector Seals [Fast li+], 4-22  
 FaST Kit, Injector, Ci[M20/M30 FaST II+], 4-22  
 Fast Kit, Injector, Ci[M20/M30 FaST II+], 3-31  
 Fastener, 12.7Mm X 9.5Mm, Ss [Staple], 2-19  
 Filter Assy [Pt4 936498], 1-1, 2-135  
 Filter Assy, Air, Mold, Ure, 3-19  
 Filter Assy, Air, 2-43, 2-45, 2-47, 2-49

## CROSS REFERENCE

- Filter Kit, Fuelock, Lpg, 1-1, 2-29, 2-35  
Filter, Foam, Rbr, 1.20d, 1.0l, 3-21, 3-23, 3-25, 3-27  
Filter, Fuel [Gm 1.6l/3.0l], 1-1, 2-37, 2-39  
Filter, In-Line, Pf06/Pf06 080mesh 02.6l, 3-31  
Filter, In-Line, Pf06/Pf06, 80 Mesh, 3-17  
Filter, Soltn, 020mesh, Pm12 3.2d 08.0l, 3-5  
Filter, Soltn, 20mesh, Pm12 3.1d 02.6l, 1-1, 2-102  
Fitting Assy, Orifice, 0.070b, Pf04/Pf04, 3-17  
Fitting Assy, Orifice, 0.093b, Pf04/Pf04, 3-17  
Fitting Kit [Epr], 2-35  
Fitting Kit, Hose, Garden, 3-3  
Fitting Spray Nozzle Adapter, 3-55  
Fitting, Adapter, Orifice, Pf06/Pm06, 2-25, 2-27  
Fitting, Alm, Str, Bm24/Bm48, 3-51, 3-53  
Fitting, Brs, E45, Pf02/Pm02, 2-23  
Fitting, Brs, E90, Bm08/Pm04, 3-17  
Fitting, Brs, E90, Cf03/Pf02, 3-19  
Fitting, Brs, E90, Em05/Pm04, 2-37, 2-39  
Fitting, Brs, E90, Em10/Pm06, 2-25, 2-27, 2-30, 2-35  
Fitting, Brs, E90, Pf04/Pm04, 2-35, 2-37, 2-41  
Fitting, Brs, E90, Pm02/Bm03, 3-5  
Fitting, Brs, Qdc, Bm04/Pf04, 3-53  
Fitting, Brs, Qdc, Bm12/Qf08, 3-3  
Fitting, Brs, Qdc, Pf04, Lpg Fem, 2-41  
Fitting, Brs, Qdc, Pf08 [Parker Bh3f], 3-3  
Fitting, Brs, Qdc, Pm04, Plug, 3-55  
Fitting, Brs, Qdc, Pm04/Qf06, 3-57, 3-59  
Fitting, Brs, Spcl [Garden Hose], 3-61, 3-63  
Fitting, Brs, Str, Bm04/Pm02, 3-19  
Fitting, Brs, Str, Bm05/Pm04, 2-37  
Fitting, Brs, Str, Bm06/Pm05, 2-27, 2-35  
Fitting, Brs, Str, Bm08/Pm04, 3-17  
Fitting, Brs, Str, Pf02/Pm04, 3-17  
Fitting, Brs, Str, Pf04/Pf04, Bh, 2-41, 3-57, 3-59  
Fitting, Brs, Str, Pf04/Pm02, 2-25, 2-27, 2-30, 2-35  
Fitting, Brs, Str, Pf06/Pf06 Bh, 3-61, 3-63  
Fitting, Brs, Str, Pf06/Pm12, 3-61, 3-63  
Fitting, Brs, Str, Pm02, Plug [Skhd], 3-55  
Fitting, Brs, Str, Pm04/Pm04, 2-37, 3-17  
Fitting, Brs, Str, Pm08/Garden Hose, 3-61, 3-63  
Fitting, Brs, Tee, Pf04/Pf04/Pf04, 3-17  
Fitting, Brs, Tee, Pm04/Pf04/Pf04, Run, 3-31  
Fitting, Brs, Tip [75, .125k-Jet], 3-55  
Fitting, Cap, 2-29  
Fitting, Draincock, E90, .25npt, 2-25, 2-27, 2-30, 2-35, 2-57  
Fitting, E, Gr, 4-3  
Fitting, E70, 2-29  
Fitting, E90, M14 X .56, 2-23  
Fitting, E90, 2-29, 2-33  
Fitting, End, Hose, 2-23  
Fitting, Fltr, Oil, 5-8  
Fitting, Fuel, Str, 0.38-24 [07 Eng], 2-39  
Fitting, Fuel, Str, 0.56-18 [07 Eng], 2-39  
Fitting, Grease, Str Pm04 .47L, 2-79  
Fitting, Grease, Str Pm04 .47l, 2-75, 2-81, 2-91  
Fitting, Grease, Str Pm04 .63l, 2-63  
Fitting, Hose, Vacuum, .25, 2-29  
Fitting, Hyd, Cap, Jf06, 2-133  
Fitting, Hyd, Cap, Jf08, 3-13  
Fitting, Hyd, E45, Jf10/Jm10, 2-121  
Fitting, Hyd, E45, Jm04/Om04, 3-13  
Fitting, Hyd, E45, Jm04/Om06, 2-63  
Fitting, Hyd, E45, Jm06/Om04, 2-115  
Fitting, Hyd, E45, Jm06/Om06, 2-63  
Fitting, Hyd, E45, Jm08/Om08, 2-115, 2-137, 3-13  
Fitting, Hyd, E45, Jm08/Om10, 2-131  
Fitting, Hyd, E45, Jm10/Om12, 2-63  
Fitting, Hyd, E45, Jm12/Om16, 2-135  
Fitting, Hyd, E45, Jm20/Om20, 2-135  
Fitting, Hyd, E90, Jf04/Jm04, 2-137, 3-13  
Fitting, Hyd, E90, Jf06/Jm06, 3-13  
Fitting, Hyd, E90, Jf08/Jm08, 2-17  
Fitting, Hyd, E90, Jm04/Om04, 2-79, 2-83, 2-95, 2-99, 2-137, 3-9  
Fitting, Hyd, E90, Jm04/Pm02, 2-135  
Fitting, Hyd, E90, Jm06/Om04, 2-75, 2-81, 3-9  
Fitting, Hyd, E90, Jm06/Om06, L, 2-137  
Fitting, Hyd, E90, Jm06/Om06, 2-17, 2-137, 3-13  
Fitting, Hyd, E90, Jm06/Om08, 2-131  
Fitting, Hyd, E90, Jm08/Om08, L, 2-79, 2-137  
Fitting, Hyd, E90, Jm08/Om08, 2-71, 2-73, 2-79, 2-131, 2-137, 3-13  
Fitting, Hyd, E90, Jm08/Om10, 2-131, 3-7  
Fitting, Hyd, E90, Jm10/Om12, 2-131  
Fitting, Hyd, E90, Jm12/Om12, L, 2-133  
Fitting, Hyd, E90, Jm12/Om12, 2-133  
Fitting, Hyd, E90, Om04/Qm04, 2-137, 3-13  
Fitting, Hyd, E90, Spcl, 2-35  
Fitting, Hyd, Plug, Om04, 4-11, 4-15  
Fitting, Hyd, Plug, Om06 (Cylindrical Scrub Head), 2-135  
Fitting, Hyd, Plug, Om06, 2-135, 2-137  
Fitting, Hyd, Plug, Om08, 4-7, 4-15  
Fitting, Hyd, Plug, Om10, 2-135  
Fitting, Hyd, Rst, Spcl, 2-95, 2-99  
Fitting, Hyd, Str, Jf04/Qm04, 2-137, 3-13  
Fitting, Hyd, Str, Jm04/Om04, 2-71, 2-137, 3-13  
Fitting, Hyd, Str, Jm04/Om06 (Disk Scrub Head), 2-135  
Fitting, Hyd, Str, Jm04/Om06, 3-13  
Fitting, Hyd, Str, Jm06/Om06, L, 2-17  
Fitting, Hyd, Str, Jm06/Om06, 2-17, 2-135, 3-13, 3-15  
Fitting, Hyd, Str, Jm08/Om06, 2-17  
Fitting, Hyd, Str, Jm08/Om08, 2-79, 2-131, 2-135, 3-13  
Fitting, Hyd, Str, Jm10/Om10, 3-7  
Fitting, Hyd, Str, Jm10/Om12, 2-137  
Fitting, Hyd, Str, Jm20/Om16, 2-135  
Fitting, Hyd, Str, Om04/Qm04, 2-137, 3-13  
Fitting, Hyd, Tee, Jm04/Jm04/Om04, Run, 2-79  
Fitting, Hyd, Tee, Jm08/Jm08/Om08, Br, 2-115, 2-137  
Fitting, Hyd, Tee, Pf04/Pf04/Pm04, Run, 2-41  
Fitting, Nipple, .25mal, 2-35  
Fitting, Nipple, .25npt, Brs, 2-29  
Fitting, Nyl, Qdc, E90, Bm08/ Qm10, 3-31  
Fitting, Nyl, Str, Bm04/Pm04, 3-55  
Fitting, NylY, Qdc, E90, Bm06/ Qm10, 3-31  
Fitting, Pipe, Bshg, M18 X 1.5, 2-23  
Fitting, Pipe, E45, Spcl, 2-41  
Fitting, Pipe, E90, Pf02/Pm02, 3-19  
Fitting, Pipe, Plug, Metric, M18,Soc, 2-23, 2-53, 2-55  
Fitting, Pipe, Plug, Pm02, Sq Head, 2-39  
Fitting, Pipe, Plug, Pm08, Sq Head, 2-107  
Fitting, Pipe, Plug, 2-23  
Fitting, Plstc, Body, Spray, Pf04, 3-17  
Fitting, Plstc, Cap, Pf12 Hex, 2-107  
Fitting, Plstc, Cap, Spray, Pf04, 3-17  
Fitting, Plstc, E90, Bm04/Pm02, 3-55  
Fitting, Plstc, E90, Bm06/Bm06, 3-5  
Fitting, Plstc, E90, Bm06/Pm04, Nyl, 3-31  
Fitting, Plstc, E90, Bm06/Pm12, Nyl, 3-3  
Fitting, Plstc, E90, Bm08/Bm08, 2-109  
Fitting, Plstc, E90, Bm08/Pf08s, Swivel, 3-17, 3-57, 3-61  
Fitting, Plstc, E90, Bm08/Pm06, 3-61, 3-63  
Fitting, Plstc, E90, Bm08/Pm12, Nyl, 3-17, 3-21, 3-23, 3-25, 3-27, 3-31  
Fitting, Plstc, E90, Bm12/Pf12, 3-5  
Fitting, Plstc, E90, Bm12/Pm08, 3-3  
Fitting, Plstc, E90, Bm12/Pm12, 3-3, 3-5, 3-17, 3-31  
Fitting, Plstc, E90, Pf Bm [Es Pump], 4-3  
Fitting, Plstc, E90, Pf12/Pm12, 2-101  
Fitting, Plstc, Pf12/Pf12, Bh, 2-101, 3-3  
Fitting, Plstc, Pipe, Cap, Pf04, 3-19, 3-31  
Fitting, Plstc, Rst, .50od /.13id, 3-23  
Fitting, Plstc, Str, Bm04, Cplg, Fem, 3-19, 3-31  
Fitting, Plstc, Str, Bm06/Pm04, 3-31  
Fitting, Plstc, Str, Bm06/Pm06, 3-31  
Fitting, Plstc, Str, Bm08/Pm04, 3-57, 3-59  
Fitting, Plstc, Str, Bm08/Pm06, 3-17  
Fitting, Plstc, Str, Bm08/Pm12, 3-21, 3-23, 3-25, 3-27  
Fitting, Plstc, Str, Bm10/Bm10, 2-43, 2-47  
Fitting, Plstc, Str, Bm12/Bm12, 2-107  
Fitting, Plstc, Str, Bm12/Pm08, Nyl, 3-3, 4-3  
Fitting, Plstc, Str, Bm12/Pm12, 2-107, 2-109

Fitting, Plstc, Str, Pm04, Cplg, Mal, 3-19, 3-31  
 Fitting, Plstc, Str, Pm08/Pm08, 3-3  
 Fitting, Plstc, Str, Pm12/Pm12 1.60l, 3-3, 3-17, 3-31  
 Fitting, Plstc, Tee, Bm04/Bm04/Bm04, 3-31  
 Fitting, Plstc, Tee, Bm04/Bm08/Bm08, Br, 3-17  
 Fitting, Plstc, Tee, Bm08/Bm08/Bm08, 3-17, 3-27, 3-39  
 Fitting, Plstc, Tee, Bm08/Bm12/Bm12, Br, 3-21, 3-23, 3-33, 3-57, 3-61  
 Fitting, Plstc, Tee, Bm12/Bm12/Bm12, 2-107, 3-11  
 Fitting, Plstc, Tee, Pf08/Pf08/Pf08, 3-3  
 Fitting, Plstc, Tee, Pf12/Pf12/Pf12, 3-3, 3-17, 3-31  
 Fitting, Plstc, Y, Bm08/Bm08/Bm08, Nyl, 3-23, 3-27, 3-31, 3-35, 3-39, 3-59, 3-63  
 Fitting, Plug, M16, Intake Manifold, 2-27, 2-33  
 Fitting, Plug, Org, #6, Valve [Cec], 4-13, 4-15, 4-17  
 Fitting, Stil, Qdc, Bm04, 3-53  
 Fitting, Str, .19brb X .12mpt, 2-25  
 Fitting, Str, E90, .25npt, 2-29  
 Fitting, Str, 2-29  
 Fitting, Vacuum [M16-15-6h], 2-25, 2-27, 2-33  
 Flange Mounting, 4-8  
 Flange, Motor, Hyd [En], 4-9  
 Flange, 4-11  
 Flap, Battery, 2-13  
 Flapper, Valve, Pump, Water, 4-3  
 Flywheel, 5-5  
 Frame Wldt, Hppr, 2-85  
 Frame Wldt, Main, Replmt [M20 & T20], 2-7  
 Frame Wldt, Sqge, Lh, 2-97  
 Frame Wldt, Sqge, Rh, 2-93  
 Frame Wldt, Sqge, Side Brush, 3-7  
 Fuelline, .31d Str/Str, Plstc, 2-37, 2-39  
 Fuelline, .31d Str/Str,Plstc[M20/T20 07], 2-39  
 Fuse, 015a, 2-61  
 Fuse, 10 Amp, 2-169  
 Fuse, 15 Amp, [Min-15], 2-169  
 Fuse, 20 Amp, [Min-20], 2-169  
 Fuse, 5 Amp, [Min-5], 2-169  
 Fuse, 50amp, 2-169  
 Fuse, 60 Amp, 2-169

**G**

Gasket Kit, Repair, Gas [Gm1.6l 2007], 2-27  
 Gasket Kit, Repair, Lpg [Gm1.6l 2007], 2-33  
 Gasket, .25 1.88d 1.0id [Poron], 4-3  
 Gasket, 3.23ld 3.63Od .16Th, Ure, 2-111  
 Gasket, 4.05ld 5.29Od .19 [Buna], 4-3

Gasket, Body, Throttle [1.6l], 2-27  
 Gasket, Cover, Fuse Block, 2-61  
 Gasket, Cover, Hsng, Camshaft, 5-3  
 Gasket, Exhaust, 2hole, 3.4bc, 2-53, 2-55  
 Gasket, Flng, Pipe, Exhaust, 2-53, 2-55  
 Gasket, Head, Cyl, 5-3  
 Gasket, Lid, 2-111  
 Gasket, Manifold, Exhaust, 5-9  
 Gasket, Manifold, Intake, 2-25, 2-27, 2-29, 5-9  
 Gasket, Pan, Oil, 5-8  
 Gasket, Plt, Hose, Vacuum, 2-115  
 Gasket, Plug, Relief Valve, Oil Press, 2-23, 5-7  
 Gasket, Pump, Oil, 5-7  
 Gasket, Sender, Fuel, 2-39  
 Gasket, Sqge, 1-1, 2-89  
 Gasket, Tank, Recvy, 2-111  
 Gasket, Tube [Pcv], 5-3  
 Gasket, 2-29  
 Gasspring, 180lb, 03.0strk, 2-15  
 Gauge, Sensing, Level, 2-135  
 Gear, Drive, Oil Pump, 5-7  
 Gear, Ring, Drive, Oil Pump, 5-7  
 Geroler, Motor, Hyd, 4-5  
 Gerotor Set [CI], 4-9  
 Gerotor Set, 4-8  
 Gerotor, Motor, Hyd, 4-11  
 Grill Wldt, Front, 2-19  
 Grill, Eng, 2-21  
 Grill, Side, 2-15  
 Grip, Handle, .50d 4.0l Yel, 2-85  
 Grip, Handle, 1.0d 1.5l Blk (Disk Scrub Head), 2-7  
 Grip, Handle, 1.25D 1.50L Blk, 2-7  
 Grip, Handle, 2-105, 2-113  
 Grommet, 0.38id, F/0.6h, .06 Matl, 3-55  
 Grommet, Pye, 0.37id, F/1.5h, .13 Matl, 3-5  
 Grommet, Rbr, 0.20id, F/0.4h, .12 Matl, 2-25, 2-29  
 Grommet, Rbr, 0.50id, F/0.8h, .12 Matl, 3-46, 3-47, 3-49  
 Grommet, Rbr, 0.62id, F/0.9h, .12 Matl, 3-5  
 Grommet, Rbr, 2.13id, F/2.5h, .12 Matl, 3-17, 3-31  
 Guard Kit, Sqge, Ci [T20], 3-67  
 Guard Wldt, Brush, Side, 3-11  
 Guard Wldt, Sqge Rep.BY1039069, 3-67  
 Guard Wldt, Sqge [M20/T20 LH, M30 RH], 3-67  
 Guard Wldt, Sqge [M20/T20 RH, M30 LH], 3-67  
 Guard Wldt, Sqge [M20/T20/M30], 3-67  
 Guard Wldt, Sqge, Rear, Pntd, 3-67  
 Guard Wldt, Switch, Float, 2-111  
 Guard Wldt, Top, Ohg, 3-49  
 Guide, Rlr, 2-85

**H**

Handle Wldt, Drain, 2-111  
 Handle Wldt, T, Hppr, 2-87  
 Handle Wldt, Wand, 3-55  
 Handle, Valve, Pinch, Lh, 2-113  
 Handle, Valve, Pinch, Rh, 2-105  
 Harness [Fast, M20 And T20], 3-29  
 Harness, Adapter, 2-169  
 Harness, Eng [1.6l, Gm, E-cntrl], 2-169  
 Harness, Headlight [M20 And T20], 2-169  
 Harness, Injector, Gas [1.6l, Gm, E-cntrl], 2-169  
 Harness, Injector, Lpg [1.6l, Gm, E-cntrl], 2-169  
 Harness, Main [T20], 2-169  
 Harness, Manifold, Gas, 2-39  
 Harness, Spray, Nozzle, 3-57, 3-61  
 Harness, Warning / Backup [M20 & T20], 3-41, 3-43, 3-45  
 Harness, Warning / Ohg [M20], 3-46, 3-47  
 Harness, Wire [Fast Gen 2], 3-40  
 Harness, Wire, Eng, Gas [Gm 1.6L], 2-169  
 Harness, Wire, Eng, Lpg [Gm 1.6l], 2-169  
 Head Wldt, Disk, Replmt, Jp (Japn Only), 2-79  
 Head Wldt, Disk, Std, Replmt, 2-79  
 Head, Cyl, 5-3  
 Head, Wand [17b/E], 3-55  
 Headlight, 12vdc, 27watt, 2.1a, Oval, 2-7  
 Hinge Wldt, Door, 2-15, 2-21  
 Hinge Wldt, Shrd, Lh, 2-21  
 Hinge Wldt, Shrd, Rh, 2-15  
 Hinge, .38pin .11 3.5w 06.0l 6/0.38sl, 2-19  
 Hinge, .50pin .19 4.0w 06.0l 3/0.44sl, 2-95, 2-99  
 Horn, 12vdc, Dba [Wolo], 2-61  
 Hose [Epr To Manifold], 2-35  
 Hose [Mixer To Epr], 2-35  
 Hose [Pcv], 5-3  
 Hose Assy, Sqg, 2-111  
 Hose Assy, W/1cuff, 1.0d, 030l 1.25/, 2-87  
 Hose Assy, W/2cuff, 1.5d 90l 1.5/1.5, 3-51  
 Hose Assy, W/2cuff, 3.0d 14l 3.0/3.0, 2-89  
 Hose Assy, Wand, Power, 3-53  
 Hose, 170mm [FI-Vrv], 2-29  
 Hose, 355mm [FI-Vrv], 2-29  
 Hose, 9.5mm X 290mm [Pcv], 2-29  
 Hose, 9.5mm X 450mm [Pcv], 2-25  
 Hose, Afmkt, Coolant Recvy, 05ft, 2-57  
 Hose, Afmkt, Pvc, Brd 0.38id 02ft, 3-5  
 Hose, Afmkt, Pvc, Brd 0.50id 02ft, 3-21, 3-25  
 Hose, Afmkt, Pvc, Brd 0.50id 03ft, 3-17  
 Hose, Afmkt, Pvc, Brd 0.50id 08ft, 3-17, 3-23, 3-27  
 Hose, Afmkt, Pvc, Brd 0.62id 01ft, 3-5  
 Hose, Afmkt, Pvc, Brd 0.62ld, 01Ft, Clr, 3-5  
 Hose, Afmkt, Pvc, Brd 0.75id 03ft, 2-109  
 Hose, Afmkt, Pvc, Brd 0.75id 08ft, 2-107, 2-109, 3-11  
 Hose, Afmkt, Pvc, Brd 0.75id 12ft, 3-3

## CROSS REFERENCE

Hose, Afmkt, Pvc, Brd, 0.38id, 03ft, Clr, 3-31	Hose, Hyd, Spcl, Jf10str/Jf10str, 56.5, 2-121	Hose, Hyd, Tc08, Jf08str/Jf08str, 48.0, 2-125
Hose, Afmkt, Pvc, Brd, 0.50id, 08ft, Clr, 3-33, 3-35, 3-37, 3-39	Hose, Hyd, Suc20, Jf20Str/Jf20E90, 030.0, 2-123	Hose, Hyd, Tc12, Jf12e90/Jf12str, 044.0, 2-123
Hose, Afmkt, Pvc, Brd, 0.50id, 12ft, Clr, 3-57, 3-59, 3-61, 3-63	Hose, Hyd, Tc 06, Jf06str /Jf06e45, 56.0, 2-125, 2-127	Hose, Hyd,Med04, Jf04str/Jf04str, 066.0, 2-121
Hose, Afmkt, Pvc, Brd, 0.75id, 02ft, Clr, 3-31	Hose, Hyd, Tc04, Jf04E45/Qm06, 024.0, 2-129	Hose, Hyd,Tc 04, Jf04str /Jf04e45 , 35.0, 2-129
Hose, Afmkt, Pvc, Brd, 0.75id, 08ft, Clr, 3-33, 3-37	Hose, Hyd, Tc04, Jf04E45/Qm06, 028.0, 2-129	Hose, Intake, Mold, 2.00id [Epdm], 2-43, 2-45, 2-47, 2-49
Hose, Afmkt, Pvc, Clr 0.25id 03ft, 3-19	Hose, Hyd, Tc04, Jf04e90/Jf04str, 42.0l, 2-129	Hose, Intake, Mold, 2.00id, Gas [Epdm], 2-43
Hose, Afmkt, Pvc, Clr 0.50id 08ft, 3-23, 3-27	Hose, Hyd, Tc04, Jf04e90/Jf04str, 46.0l, 2-129	Hose, Intake, Mold, 2.00id, Lpg [Epdm], 2-47
Hose, Afmkt, Pvc, Clr, 0.25id, 02ft, 3-31	Hose, Hyd, Tc04, Jf04str /Jf04str, 20.0, 3-15	Hose, Intake, Mold, 2.0id [Epdm M20/T20], 2-45, 2-49
Hose, Afmkt, Pvc, Clr, 0.38id, 01ft, 3-31	Hose, Hyd, Tc04, Jf04str /Jf04str, 39.0, 3-15	Hose, Intake, Mold, 2.0id, Gas, 2-45
Hose, Afmkt, Pvc, Clr, 0.38id, 03ft, 3-31	Hose, Hyd, Tc04, Jf04str/Jf04str, 036.0, 2-127	Hose, Intake, Mold, 2.0id, Lpg, 2-49
Hose, Afmkt, Pvc, Clr, 0.50id, 08ft, 3-35, 3-39	Hose, Hyd, Tc04, Jf04Str/Qm06, 028.0, 2-129	Hose, Lpg, Med05, Pm04str/Sm04str, 14.0l, 2-41
Hose, Afmkt, Pvc, Wir, 0.50id, 03ft, Clr, 3-31	Hose, Hyd, Tc06, Jf06e90/Jf06str, 040.0, 2-121	Hose, Lpg, Med05, Pm04str/Sm04str, 55.0l, 2-41
Hose, Afmkt, Vacuum, 0.16id 01ft, 3-5	Hose, Hyd, Tc06, Jf06e90/Jf06str, 104.0, 2-121	Hose, Mold, .62 To .75 (Cut in 2), 2-35
Hose, Air-Intk, Flex 4.00id 18.0l, 2-115	Hose, Hyd, Tc06, Jf06str /Jf06e45, 54.0, 2-125, 2-127	Hose, Mold, .62 To .75, 2-29
Hose, Balancing, Press, 045mm, 2-29	Hose, Hyd, Tc06, Jf06str /Jf06e90, 74.0, 3-15	Hose, Pvc, Brd, 0.25id 0.44od 157.2l,Clr, 3-53
Hose, Balancing, Press, 680mm, 2-29	Hose, Hyd, Tc06, Jf06str /Jf06str, 23.0, 3-15	Hose, Pvc, Clr, 0.38id 0.56od 22.00l, 2-25, 2-30, 2-57
Hose, Drain, 3.00id X 48.0l, 2-105, 2-113	Hose, Hyd, Tc06, Jf06str/Jf06str, 033.0, 3-15	Hose, Pvc, Clr, 0.38id 0.56od 48.00l, 3-3, 3-5
Hose, Fuel, 0.31id [Evap Emission 07], 2-39	Hose, Hyd, Tc06, Jf06Str/Jf06Str, 054.0, 2-125	Hose, Pvc, Clr, 0.38id 0.56od 022.0l, 2-27, 2-35
Hose, Fuel, .19, 2-25	Hose, Hyd, Tc08, Jf08e45/Jf08str, 052.0, 2-127	Hose, Pvc, Clr, 0.50id 0.69od 26.00l, 3-11
Hose, Fuel, 0.31id 12.0l, 2-37	Hose, Hyd, Tc08, Jf08e45/Jf08str, 26.0, 2-123	Hose, Pvc, Clr, 0.50id 0.69od 30.00l, 2-61
Hose, Fuel, 0.31id 24.0l, 2-37	Hose, Hyd, Tc08, Jf08e45/Jf08str, 96.0, 2-121	Hose, Pyu, 0.25id 0.38od 1220mml, Blk, 3-55
Hose, Fuel, 0.50id 21.0l, 2-37	Hose, Hyd, Tc08, Jf08e90/Jf08str, 020.0, 2-127	Hose, Radiator, Lower, Mold, 2-57
Hose, Fuel, 0.50id, 21.0l, 2-39	Hose, Hyd, Tc08, Jf08e90/Jf08str, 034.0, 3-15	Hose, Radiator, Upper, Mold, 2-57
Hose, Heater, 0.38ID, 2-27	Hose, Hyd, Tc08, Jf08e90/Jf08str, 046.0, 2-123	Hose, Rbr, 2.00id 2.50od 05.0l, 2-43, 2-47
Hose, Heater, 0.38id, 2-35	Hose, Hyd, Tc08, Jf08e90/Jf08str, 084.0, 3-15	Hose, Rbr, E90 1.25id 1.25id 04.2 03.1, 2-57
Hose, Heater, E90, 0.62id 07.0 2.0, 2-43, 2-47	Hose, Hyd, Tc08, Jf08e90/Jf08str, 13.0, 2-125	Hose, Supply, Gas, .25id, 2-35
Hose, Heater, E90, 0.62id, 24.0 4.0, 3-35	Hose, Hyd, Tc08, Jf08str/Jf08e90, 012.0, 3-13	Hose, Vacuum, 0.22id X 03.0l, 2-27, 2-33
Hose, Heater, 2-25, 2-27	Hose, Hyd, Tc08, Jf08str/Jf08e90, 031.0, 2-123	Hose, Vacuum, 1.50id X 10ft, Gray, 3-53
Hose, Hyd, 26.0l, 2-23	Hose, Hyd, Tc08, Jf08Str/Jf08Str, 034.0, 3-15	Hose, Valve, Press Trim, 350mm, 2-29
Hose, Hyd, Med04, Jf04e90/Jf04str, 016.0, 2-125	Hose, Hyd, Tc08, Jf08str/Jf08str, 040.0, 2-127	Hose, Vent, E90, 0.62id[Gm1.6l 2007], 2-45, 2-49
Hose, Hyd, Med06, Jf06e90/Jf06str, 042.0, 2-123	Hose, Hyd, Tc08, Jf08str/Jf08str, 21.0, 2-123	Hose, Water, Coil, 0.38id 0.56od, 3-61, 3-63
Hose, Hyd, Med06, Jf06e90l/Jf06str,038.0, 3-15		Housing Assy, Vacfan, Scrbr, 2-115
Hose, Hyd, Med06, Jf06str/Jf06str, 033.0, 2-123		Housing Kit, Pump, Water, 4-3
Hose, Hyd, Med08, Jf08e45/Jf08str, 046.0, 2-127		Housing Wldt, Brush, Drive, 2-71, 2-73
Hose, Hyd, Med08, Jf08e90/Jf08str, 062.0, 2-123		Housing Wldt, Swp, Scb, 2-75
Hose, Hyd, Med08, Jf08str /Jf08e45, 21.0, 2-123		Housing Wldt, Vacfan, Front [528], 2-115
Hose, Hyd, Med08, Jf08str/Jf08str, 022.0, 2-125		Housing, Brg, Motor, Hyd, 4-5
Hose, Hyd, Med10, Jf10str/Jf10str, 41.0, 2-123		Housing, Camshaft, 5-3, 5-11
Hose, Hyd, Med12, Jf12e90/Jf12str, 50.0, 2-123		Housing, Motor, Hyd [En], 4-9, 4-11
Hose, Hyd, Spcl, Jf10e45/Jf10str, 58.0 (Replaced by 1039148), 2-121		Housing, Pump, 2-23
Hose, Hyd, Spcl, Jf10e90/Jf10str, 63.0, 2-121		Housing, Sppt, Rear Wheel, 2-63
		Housing, Throttle, 40mm [Bosch], 2-27, 2-29, 2-33
		Housing, Valve, 4-5
		Housing, 4-7



Housingl, 4-8  
 Hsg & Switch Kit, Pump, Repair,, 4-21  
 Hub Assy, Wheel, 5 Bolt 4.50bc Taper B, 2-63  
 Hub, Drive, Brush, Disk, 1.00B [6T], 2-79  
 Hub, Drive, Brush, Disk, 1.00b [6t], 3-7  
 Hub, Drive, Brush, Disk, 3hole 5.8bc[6t], 2-3, 2-5  
 Hub, Drive, Brush, Disk, 3Hole 5.8Bc, 2-3  
 Hub, Drive, Brush, Disk, 3hole 5.8bc, 2-3, 2-5

**I**

Idler Assy, Brush, Replmt [M20/T20, M30], 2-71, 2-73  
 Impeller, 9.5d, 18 Blade Mach, 2-115  
 Indicator, Press, 60psi, 2-135  
 Injector Kit, Fuel, Gas, 2-25  
 Insert, Cap, Mount, Es Pump, 4-3  
 Insert, Plt, Cam, Pump, Hyd, 4-7  
 Instr. Repair Info, Motor, 4-8  
 Instr, Maint, Wall Chart [T20], 3-70  
 Instr, Motor, Hyd, Repair [En], 4-9, 4-11  
 Instr, Repair, Motor, Hyd, Gear, 4-5  
 Instr, Repair, Pump, 4-7  
 Instr, Seal Kit, Motor, 4-10  
 Instr, Valve, Steering, Repair, 4-19  
 Insulation, Acstc, Rnd, 0.8, 02.5d 0.5h, 2-17  
 Insulation, Flame-Retardant, 0.5, 2-21, 2-37, 2-39  
 Insulation, Flame-Retardant, 0.50, 2-115  
 Insulation, Flame-Retardant, 0.75-0.88, 2-11, 2-115  
 Insulation, Flame-retardant, 0.75-0.88, 2-11, 2-15  
 Insulation, Flame-Retardant, 1.0, 2-15  
 Insulation, Shrd, Eng, Gusset, 2-21  
 Insulation, Thermal, Hydraulic Blanket, 2-135  
 Insulation, 3-49  
 Isolator [Epr], 2-35  
 Isolator, Box, Relay, 2-27, 2-33  
 Isolator, Mtg, Vaporizer, Rbr, 2-29  
 Isolator, Rbr, 2-53, 2-55  
 Isolator, Vib, .50d, 2-23  
 Isolator, Vib, Bshg, 1.1d 0.6l .4b 0.78h, 2-57, 2-115

**K**

Key, Ignition [Set Of 2], 1-1, 2-13  
 Key, Motor, Hyd, 4-5  
 Key, Shaft, Pump, Hyd, 4-7  
 Key, Sq, 0.12 X 0.12, 0.50l, 2-51  
 Key, Sq, 0.12 X 0.12, 0.75l, 4-10  
 Key, Sq, 0.12 X 0.12, 1.00l (Included With Motor), 2-115  
 Key, Sq, 0.25 X 0.25, 1.25l, 2-71, 2-73  
 Key, Valve Stem, 5-3

Key, Woodruff, 0.25 1.00 [Asa#0808], 4-9, 4-11  
 Key-Wdruff 0.25 1.00, 4-8  
 Kit, Bellows, Pump, Detgt, 4-20  
 Kit, Brush, Motor, Ele, 4-3  
 Kit, Seal, Motor, Hyd, Gear[Barns], 2-115, 4-10  
 Kit, Seal, Motor, Hyd, 4-5  
 Kit, Seal, Valve, Hyd [Cec], 4-10  
 Kit, Valve, Check, Pump, Water, 4-3  
 Knob Assy, Star, 1.12d 3ear M10, 2-91  
 Knob, Rnd, 1.04d 1.18l .25-20 Yel Plstc, 2-85  
 Knob, Star, 2.80d 4ear 1.1l .31-18 Pyp, 2-89  
 Knob, Tee, 2.5x1.0 1.1l 0.38-16 Plstc, 2-17

**L**

Label [Nfsi Certification], 2-171  
 Label Kit, Panel, Replmt [T20], 2-13  
 Label Set, Brush Indicator & Removal, 2-171  
 Label Set, Hi Temp, 2-171  
 Label Set, Info/Hzrd, Swpr / Scrbr, Tj (Japan Only), 2-171  
 Label Set, Info/Hzrd, Swpr / Scrbr, 2-171  
 Label, Caution [Apply Parking Brake] (Japan Only), 2-171  
 Label, Caution [Apply Parking Brake], 2-171  
 Label, Off-White [Fast] (Option), 2-171  
 Label, Off-White, Es (Option), 2-171  
 Label, Switch, Rocker [T20], 2-13  
 Lamp Strobe, Amb [12-48 Vdc], 3-45, 3-47  
 Lamp, 12vdc [Speaker], 2-7  
 Lamp, Bulb, Lamp, Flsh, 3-43, 3-46  
 Lamp, Bulb, Lamp, Strobe, 3-45, 3-47  
 Lamp, Flasher, Amb [12-48 Vdc], 3-43, 3-46  
 Latch Assy, Mtg, Tank, Lpg, W/Nut, 2-41  
 Latch Kit, Disk, Replmt [T20], 2-79  
 Latch Wldt, Head, Disk, 2-79  
 Latch, Cover, 2-102  
 Latch, Door [Southco 91-562-07], 2-21, 2-93, 2-97  
 Latch, Hook, 2-95, 2-99  
 Latch, 2-15, 2-57, 2-71, 2-73, 2-85, 2-101, 2-102, 3-65  
 Lens, Blue, Option, F/ Revl / Flsh Light, 3-43, 3-45, 3-46, 3-47  
 Lens, Lamp, Amb, Strobe/Flasher, 3-43, 3-45, 3-46, 3-47  
 Lens, Red, Option, F/ Revl / Flsh Light, 3-43, 3-45, 3-46, 3-47  
 Light Kit, Flsh, Ci [M20 And T20], 3-43  
 Light Kit, Flsh, W/Ohg, Ci[M20 And T20], 3-46  
 Light Kit, Revl, Ci [M20 And T20], 3-45  
 Light Kit, Revl, W/Ohg, Ci [M20 And T20], 3-47  
 Light, Panl, 14vdc, , 1.1 X 1.0, 2-13

Light, Tail, 12vdc, 2-7  
 Link Assy, Rod-End, M12, 2-83  
 Link, .25 1.4w 3.2l 2/.5h, 3-67  
 Lip Kit, Debris, Replmt [T20], 2-85  
 Lock, Secondary, 2cav, Mp280 Sealed, 4-21

**M**

Magnet, Drive Brush, 2-41  
 Maint Kit, Gas, 400hr[M20/T20], 1-1  
 Maint Kit, Gas, 800hr[M20/T20], 1-1  
 Maint Kit, Lpg, 400hr[M20/T20], 1-1  
 Maint Kit, Lpg, 800hr[M20/T20], 1-1  
 Manifold Assy, Cntrl, Soltn, 2-109  
 Manifold Wldt, Cntrl, Soltn, 2-109  
 Manifold, Bar, Spray, 37.5inch, 2-107  
 Manifold, Exhaust, 5-9  
 Manifold, Gas, Relief, Valve, 2-39  
 Manifold, Intake [1.6l], 2-25, 2-27, 2-29, 2-33  
 Manual, Eng, Cd-Rom [Tier II,GM1.6L], 3-70  
 Manual, Oprtr [T20 Gas/Lpg En], 3-70  
 Manual, Oprtr [T20 Gas/Lpg Es], 3-70  
 Manual, Oprtr [T20 Gas/Lpg Fr], 3-70  
 Manual, Parts [T20 Gas/Lpg En/Jp], 3-70  
 Manual, Service [T20 En], 3-70  
 Manual, Service, Eng [Gm1.6l], 3-70  
 Manual, Service, Eng[Gm1.6l Em Cert], 3-70  
 Mat, Floor, 2-9  
 Mirror, Convex, 0.50D, 3-49  
 Mixer, Lpg [Gm 1.6l], 2-29  
 Mixer, W/70deg Ftg, 2-33  
 Module, Ecu, Gas [Gm 1.6l], 2-25  
 Module, Ecu, Gas [Gm1.6l 2700], 2-27  
 Module, Ecu, Lpg [Gm 1.6l], 2-29  
 Module, Ecu, Lpg [Gm1.6l 2700], 2-33  
 Molding, Afmkt, Trim, Pvc, .08 .11, 1ft, 2-9  
 Molding, Trim, Pvc, .08-.11 13.2l, 2-39  
 Motor Kit, Pump, Repair,, 4-21  
 Motor Kit, Replmt [M20&T20], 2-115  
 Motor, Ele, 12vdc, Pump, Water, 4-3  
 Motor, Ele, Gear, 14vdc, Pump, Detgt, 4-20  
 Motor, Hyd Gear In 4.5 B 1500, 4-8  
 Motor, Hyd, Gear, [Int], 19.0 X 3000, 4-5  
 Motor, Hyd, Gear, Ext 0.19 Rh 3000, 4-10  
 Motor, Hyd, Gear, Int 04.5 Bi-Dir 1500 (See Breakdown), 2-71, 2-73  
 Motor, Hyd, Gear, Int 08.9 Bi-Dir 2500 (See Breakdown), 3-7  
 Motor, Hyd, Gear, Int 08.9 Bi-Dir 2500, 4-9  
 Motor, Hyd, Gear, Int 09.7 Bi-Dir 2500, 2-79, 4-11  
 Motor, Hyd, Gear, Int 19.0 Bi-Dir 3000 (See Breakdown), 2-63  
 Mount Wldt, Eng, Gas/Lpg, 2-23  
 Mount Wldt, Valve, Pinch, Lh, 2-113  
 Mount Wldt, Valve, Pinch, Rh, 2-105  
 Muffler, Catalytic [Gm 1.6], 2-53  
 Muffler, Catalytic [Gm 1.6l 2007], 2-55

## CROSS REFERENCE

Muffler, Short [Non-Catalytic Gm1.6/3.0],  
2-53

### N

Nozzle kit, Spray, Ci [T20], 3-61  
Nozzle Kit, Spray, W/Pwr Wand, Ci [T20],  
3-63  
Nozzle, Spray, Gun, 3-61, 3-63  
Nozzle, Wand, Plstc, 14.0lg, 3-51  
Nozzle, 3-61, 3-63  
Nut, Coil, F/#8, 4-13, 4-15  
Nut, Coil, Nyl Patch, 4-17  
Nut, Hex, Flng, M8 X 1.25, 2-35, 2-133  
Nut, Hex, Jam, .31-24, 2-67  
Nut, Hex, Jam, .50-20, Lh, 2-75  
Nut, Hex, Jam, .50-20, 2-75, 3-9  
Nut, Hex, Jam, M10 X 1.5, Ss, 2-41, 2-51  
Nut, Hex, Jam, M20 X 1.5, 2-17  
Nut, Hex, Lock, .25-20, Ni, Ss, 2-69  
Nut, Hex, Lock, .25-20, Ni, 2-37, 2-39,  
2-115  
Nut, Hex, Lock, .31-18, Ni, Thin, 2-15  
Nut, Hex, Lock, .31-18, Ni, 2-15, 2-51  
Nut, Hex, Lock, .38-16, Ni, Ss, 2-41, 3-9  
Nut, Hex, Lock, .38-16, Ni, Thin, 2-41,  
2-69, 2-115  
Nut, Hex, Lock, .50-13, Ni, Ss, 2-91  
Nut, Hex, Lock, .50-13, Ni, Thin, 2-75  
Nut, Hex, Lock, .50-20, Ni, Thin, 2-75  
Nut, Hex, Lock, .75-10, Ni, 2-63  
Nut, Hex, Lock, #08-32, Ni, 2-13  
Nut, Hex, Lock, M10 X 1.5, Ni, Ss (Disk  
Scrub Head), 2-7  
Nut, Hex, Lock, M10 X 1.5, Ni, Ss, 2-91  
Nut, Hex, Lock, M10 X 1.5, Ni, 2-41, 2-57,  
3-49, 3-67  
Nut, Hex, Lock, M12 X 1.75, Ni, Ss, 2-75,  
2-81, 2-83, 2-85  
Nut, Hex, Lock, M12 X 1.75, Ni, 2-23, 2-65  
Nut, Hex, Lock, M4 X 0.7, Ni, Ss, 2-21,  
2-69, 2-93, 2-97, 3-3  
Nut, Hex, Lock, M4 X 0.7, Ni, 2-15, 2-21,  
2-58, 3-19  
Nut, Hex, Lock, M5 X 0.8, Ni, Ss, 2-71,  
2-73, 2-107, 3-11, 3-17, 3-23, 3-27  
Nut, Hex, Lock, M5 X 0.8, Ni, 2-15, 2-25,  
2-29, 2-61  
Nut, Hex, Lock, M5 X 0.80, Ni, Ss, 3-35,  
3-39, 3-41, 3-43, 3-45, 3-46, 3-47,  
3-65  
Nut, Hex, Lock, M5 X 0.80, Ni, 3-57, 3-61  
Nut, Hex, Lock, M6 X 1.0, Ni, 2-15, 2-17,  
2-19, 2-25, 2-29, 2-43, 2-47, 2-57,  
2-61, 2-67  
Nut, Hex, Lock, M6 X 1.0, Ss, Ni, 2-13,  
2-53, 2-107  
Nut, Hex, Lock, M6 X 1.00, Ni, 2-9, 2-49  
Nut, Hex, Lock, M6 X 1.00, Ss, Ni, 2-77,  
2-79, 2-81, 2-83, 2-85, 2-87, 2-109,  
2-111, 3-3, 3-57, 3-59

Nut, Hex, Lock, M8 X 1.25, Ni, Ss, 2-53,  
2-55, 2-57, 2-69, 2-71, 2-73, 2-79,  
2-83, 2-85, 2-87, 2-89, 2-91, 2-93,  
2-95, 2-97, 2-99, 2-101, 2-105, 2-113,  
3-7, 3-11, 3-13  
Nut, Hex, Lock, M8 X 1.25, Ni, 2-7, 2-9,  
2-21, 2-37, 2-39, 2-41, 2-43, 2-45,  
2-47, 2-49, 2-51, 2-57, 2-61, 2-67,  
2-69, 2-95, 2-99, 3-13  
Nut, Hex, M10 X 1.5 [Stover], 2-53  
Nut, Hex, M10 X 1.50 [Stover], 2-53, 2-55  
Nut, Hex, Sltd, .75-16, 2-65  
Nut, Hex, Sltd, 1.12-18, 2-63  
Nut, Hex, Sltd, M20 X 2.5, 8, 2-71, 2-73  
Nut, Hex, Std, .25-20, 2-27, 2-33  
Nut, Hex, Std, .25-28, Lh, 2-67  
Nut, Hex, Std, .25-28, 2-67, 2-69  
Nut, Hex, Std, .31-18, 2-51, 3-49  
Nut, Hex, Std, .38-16, 2-55  
Nut, Hex, Std, M12 X 1.75, Ss, 2-95, 2-99  
Nut, Hex, Std, M16 X 2.0, 2-19  
Nut, Hex, Std, M5 X 0.8, 8, 2-23, 2-69  
Nut, Hex, Std, M8 X 1.25, Brs, 2-23  
Nut, Hex, Std, M8 X 1.25, Ss, 2-81, 2-95,  
2-99  
Nut, Hex, Std, M8 X 1.25, 2-9, 2-51  
Nut, Isolator, .38-16 Wall Th .015-.437,  
3-57, 3-59  
Nut, Low Crown, .50-20, 2-115  
Nut, Manifold, Exhaust, M8 X 1.25, 5-9  
Nut, Motor, Hyd, 4-5  
Nut, Solenoid, 4-13, 4-15  
Nut, T, M10 X 1.50 X 15.80d X 13.0l, 2-93,  
2-97  
Nut, T, M4 X 0.70, 2-3  
Nut, T, M8 X 1.25 X 14.50d X 9.5l, 3-7  
Nut, Thumb, M6 X 1.0, 30d, 3-55  
Nut, Wheel, .50-20 X 60 Angle, 2-63  
Nut-Hxslot .75-16 Pltd, 4-8

### O

Ohg Kit, Ci [M20 And T20], 3-49

### P

Pad, Buff, 14.0d, Red, 2-3  
Pad, High Productivity Stripping, 14.0d,  
Blk, 2-3  
Pad, Pedal, Brake, 3.96l 2.36w 0.75, 2-67  
Pad, Polish, 14.0d, White [1pad=1pc], 2-3  
Pad, Scb, 14.0d, Blu [1pad=1pc], 2-3  
Pad, Stripping, 14.0d, Brown [1pad=1pc],  
2-3  
Pad, Surf Prep, 14.0D Maroon,  
[1PICK=1PAD], 2-3  
Pad, Tank, Hyd [W/Psa], 2-133, 2-135  
Paint, Airdry, Blk, 12oz, 1-1  
Paint, Airdry, Gray, 12oz [Enamel], 1-1  
Paint, Airdry, Iron Gray, 12oz [Pwdr Coat],  
1-1  
Paint, Airdry, Off-White, 12oz, 1-1

Paint, Airdry, Teal, 12oz, Solid, 1-1  
Pan, Oil, W/ Baffle / Plug / Seal, 5-8  
Panel Kit, Instmt, Replmt [T20], 2-13  
Panel Wldt, Adj [2007], 2-9  
Panel Wldt, Adj, 2-9  
Panel Wldt, Filler, 2-7  
Panel Wldt, Gas, Replmt [W/Fast], 2-9  
Panel Wldt, Gas, Replmt, TJ (Japan only),  
2-9  
Panel Wldt, Gas, Replmt, TJ [W/Fast]  
(Japan only), 2-9  
Panel Wldt, Gas, Replmt, TJ, W/Es (Japan  
only), 2-9  
Panel Wldt, Gas, Replmt, 2-9  
Panel Wldt, Gas, W/ Es, Replmt, 2-9  
Panel Wldt, LPG, Replmt [W/Fast], 2-9  
Panel Wldt, LPG, Replmt, TJ (Japan only),  
2-9  
Panel Wldt, LPG, Replmt, TJ [W/Fast]  
(Japan only), 2-9  
Panel Wldt, LPG, Replmt, TJ, W/Es  
(Japan only), 2-9  
Panel Wldt, LPG, Replmt, W/Es, 2-9  
Panel Wldt, LPG, Replmt, 2-9  
Panel Wldt, Shrd, Fan, 2-57  
Panel, Access, Debris Tray, 2-87  
Panel, Access, Door, 2-9  
Panel, Access, Floor, 2-9  
Panel, Instmt, Rh, Gas, Replmt, 2-13  
Panel, Instmt, Rh, Lpg, Replmt, CE/TJ  
(Japan only), 2-13  
Panel, Instmt, Rh, Lpg, Replmt, 2-13  
Pawl, Str, 2-71, 2-73  
Pedal, Brake, Lock, 2-67  
Pedal, Propel, 2-68  
Pin Wldt, Front, 2-89  
Pin Wldt, Lift (Replaced By 9003478), 2-91  
Pin Wldt, 3-9  
Pin, 0.63d 01.8l, 1/M10h, 2cham, 2-91  
Pin, Clevis, 0.19d X 0.63l, 2-83  
Pin, Clevis, 0.25d X 0.75l, 2-67  
Pin, Clevis, 0.25d X 2.44l, 2-83  
Pin, Clevis, 0.31d X 0.75l, 3-7  
Pin, Clevis, 0.31d X 1.00l, 2-67  
Pin, Clevis, 0.37d X 1.31l, 3-9  
Pin, Clevis, 0.37d X 1.50l, 3-9  
Pin, Clevis, 0.37D X 1.75L, 2-95, 2-99  
Pin, Clevis, 0.37d X 1.75l, 2-75, 2-81, 3-9  
Pin, Clevis, 0.37d X 2.00l, 2-83  
Pin, Clevis, 0.50 D X 4.50l, 2-69  
Pin, Clevis, 0.50d X 2.50l, 2-83  
Pin, Clevis, 0.62d X 2.12l, 2-81  
Pin, Clevis, 0.75d X 2.00l, 2-75, 2-81  
Pin, Clevis, 30mmd X 200mml, 2-7, 3-11  
Pin, Cotter, .062 X 0.50, 2-67  
Pin, Cotter, .062 X 0.75, 2-83  
Pin, Cotter, .094 X 1.00, 2-67, 2-81, 2-83,  
3-7, 3-9  
Pin, Cotter, .094X0.75, 2-83  
Pin, Cotter, .125 X 1.00, 2-69, 2-95, 2-99  
Pin, Cotter, .125 X 1.25, 2-71, 2-73, 2-81  
Pin, Cotter, .125 X 2.00, 2-63  
Pin, Cotter, .156 X 1.25, 2-75

Pin, Cotter, .156 X 2.00, 2-65  
 Pin, Cotter, Hair, 0.31d .058 Wir, 2-15  
 Pin, Cotter, Hair, 0.38d .072 Wir, 2-75, 2-81, 2-83  
 Pin, Cotter, Hair, Dbl, 2-7, 3-11  
 Pin, Dowel, Pump, Hyd, 4-7  
 Pin, Grvd, 0.43d 01.8l [303ss], 2-89  
 Pin, Hitch, .375d X 3.12l, Pl, 3-7, 3-67  
 Pin, Lift, Drain, 2-111  
 Pin, Locating, Lpg, 2-41  
 Pin, Lock, Cyl Head, 14mm X 17mm, 5-3, 5-5  
 Pin, Lock, Transmission, 5-5  
 Pin, Locking, Steering, Tilt, 2-17  
 Pin, Retainer, 2-29  
 Pin, Ring, Lock, Hsng, Water Pump, 5-7  
 Pin, Valve, Steering, 4-19  
 Piston, Pump, Hyd, Gear, 4-5  
 Piston, W/ Pin, Std, 5-5  
 Pivot Wldt, Brush, Side, 3-9  
 Plate Assy, Orifice, 0.0105id, Green, 4-22  
 Plate Wldt, Hose, Vacuum, 2-115  
 Plate Wldt, Seat, 2-15  
 Plate, Backing, Brake, 2-65  
 Plate, Bmpr, Lh, 3-68  
 Plate, Bmpr, Rh, 3-68  
 Plate, Cam, 4-7  
 Plate, Cover, 4-7  
 Plate, Guard, Fan Shrd, Gas/Lpg, Replmt, 2-57  
 Plate, Handle, 2-71, 2-73  
 Plate, Hook, Latch, 3-65  
 Plate, Hsng [Fast], 3-17  
 Plate, Mtg, Latch, 2-101, 2-102  
 Plate, Mtg, Light, 2-13  
 Plate, Mtg, Prop Rod, 2-111  
 Plate, Mtg, Relay, 2-27, 2-33  
 Plate, Mtg, Seal, 2-19, 2-57  
 Plate, Mtg, Skirt, Scb Head, 2-77  
 Plate, Mtg, Valve, 3-23, 3-27, 3-35, 3-39  
 Plate, Orifice, 0.070id, 3-17  
 Plate, Orifice, 0.093id, 3-17  
 Plate, Seal, Sound, 2-21  
 Plate, Shield, Heat, Gas/Lpg, Replmt, 2-53, 2-55  
 Plate, Skirt, Front, 2-77  
 Plate, Spacer, Motor, Hyd [En], 4-9, 4-11  
 Plate, Sppt, 2-67, 2-83  
 Plate, Stop, Brake, 2-67  
 Plate, Valve, Motor, Hyd, 4-5  
 Plate, Valve, Pump, Hyd, 4-7  
 Plate, Wear, Steering Valve, 4-19  
 Plug #10, 4-8  
 Plug #4, 4-8  
 Plug Assy [Cl], 4-19  
 Plug Kit, Drain, Recvy, Ci [M20 & T20], 2-111  
 Plug Wldt, Drive, Brush, Sweep, 2-71, 2-73  
 Plug Wldt, Drive, Brush, 2-71, 2-73  
 Plug, .12npt, Ss, 2-27, 2-29, 2-33  
 Plug, Bore, Valve, Relief, Oil Press, 5-7  
 Plug, Drain, Expandable, 4.75-6.00, 2-111  
 Plug, Drain, Oil Pan, M14 X 1.5 X 12, 5-8

Plug, Hole, Coolant, Eng Block, 5-5  
 Plug, Hole, Core, Eng Block, 5-8  
 Plug, Hole, Injector, 2-29, 2-33  
 Plug, Hole, Rnd, 0.50h .03-.12, Blk Nyl, 2-13  
 Plug, Hole, Rnd, 0.81h, Blk, 2-9  
 Plug, Hole, Rnd, 0.88h .03-.12, Blk Nyl, 2-9  
 Plug, Hole, Rnd, 1.00h .03-.12, Blk Nyl, 2-9  
 Plug, Hole, Rnd, 1.25h .03-.12, Blk Nyl, 2-15  
 Plug, Hole, Rnd, 2.50h .03-.25, Blk Nyl, 2-9  
 Plug, Hole, Rt, Rocker Switch, .87 X 1.7, 2-13  
 Plug, Hole, Soltn Tank, Blk Pyu, 2-101  
 Plug, Hose, Pyu, 2-105, 2-113  
 Plug, Hsng, Oil Pump, 5-7  
 Plug, Manifold, Intake, 2-25, 2-27, 2-29, 2-33  
 Plug, Orifice, 0.060, Ss [Fast li+], 4-22  
 Plug, Orifice, Valve, Hyd, .040, 4-13, 4-17  
 Plug, Orifice, Valve, Hyd, .046, 4-15  
 Plug, Orifice, Valve, Hyd, .063, 4-15  
 Plug, Port, Sensor [Map], 2-25, 2-27, 2-29, 2-33  
 Plug, Pump, Hyd, Gear, 4-5  
 Plug, 4-5  
 Poppet, Pump, Hyd, Gear, 4-5  
 Pulley, Tension, Belt, Timing, 5-11  
 Pump Assy, Column, Es (See Breakdown), 3-5  
 Pump Assy, Column, Es, 4-3  
 Pump Kit, Hyd, Rotating [Cessna], 4-7  
 Pump, Diaphragm, 4-21  
 Pump, Air, Ele, 12vdc, 3-19  
 Pump, Detgt, 12vdc, 3-19  
 Pump, Detgt, 14vdc, 150ml/Min 20psi (See Breakdown), 3-3  
 Pump, Detgt, 14vdc, 150ml/Min 20psi, 4-20  
 Pump, Diaphragm, 3-57, 3-61  
 Pump, Fuel, Hi Press [Gm 1.6l/3.0l], 2-37, 2-39  
 Pump, Hyd, Gear, Ext, 3, 00.97 2500, Cw, 2-131  
 Pump, Hyd, Piston, Var, 1.24 4000, Cw (See Breakdown), 2-131  
 Pump, Hyd, Piston, Var, 1.24 4000, Cw, 4-7  
 Pump, Oil, 5-7  
 Pump, Soltn, 13.7vdc, 65psi [Fast li+], 3-31  
 Pump, Soltn, Ele, 12vdc [W/O Chk Valve], 3-17  
 Pump, Water [Gm], 5-7

Q

Qd36Gasket, Body, Throttle [1.6l], 2-25

R

Race Thrust, 4-8  
 Race, Brg, Pump, Hyd, 4-7  
 Radiator (Replaced by 1045316), 2-58  
 Radiator, 2-58  
 Rail, Injector, Fuel, Plstc, 2-27  
 Rail, Injector, Gas, W/ Press Reg, 2-25  
 Receptacle, Lamp [Speaker], 2-7  
 Regulator [Ep], 2-35  
 Relay, 12vdc, 20a, Spdt, 2-169  
 Relay, 12vdc, 40a, Spdt N/O, 2-61, 3-17  
 Relay, 12vdc, 40a, Spdt, 2-169  
 Relay, 12vdc, 040a, Spdt No, 3-31, 3-57, 3-61  
 Reservoir, Hyd, 10.0Gal, Replmt, 2-135  
 Restrictor, Jet, Coolant, 2-29  
 Retainer, Boot, Steering Column, 2-17  
 Retainer, Camshaft, 5-11  
 Retainer, Motor, Hyd, 4-5  
 Retainer, Ring, Brake, 2-65  
 Retainer, Skirt, Disk Head, 2-81  
 Retainer, Skirt, Front, 2-77  
 Retainer, Skirt, 2-77  
 Retainer, Sparkplug, 1 Way, 5-12  
 Retainer, Sparkplug, 2 Way, 5-12  
 Retainer, Sparkplug, 3 Way, 5-12  
 Retainer, Sqge, Side, Lh, 2-97  
 Retainer, Sqge, Side, Rh, 2-93  
 Retainer, Sqge, Wand [17b/E], 3-55  
 Retainer, Sqge, 3-7  
 Ring Kit, Piston, Std 78.95-79.02mm, 5-5  
 Ring, Lock, 4-7  
 Ring, Motor, Hyd, 4-5  
 Ring, Mtg, Sqge, .50l, 2-89  
 Ring, Retainer, Steering Valve, 4-19  
 Ring, Retaining, Ext, 0.38d, [E-Ring], 2-89, 2-91  
 Ring, Retaining, Ext, 0.50d, Hd, 2-17  
 Ring, Retaining, Ext, 0.62d, Hd, 2-91  
 Ring, Retaining, Ext, 0.98d, [E-Ring], 2-67  
 Ring, Retaining, Ext, 1.00d, Basic, 2-71, 2-73  
 Ring, Retaining, Pump, Hyd, 4-7  
 Ring, Retaining, 4-7  
 Rivet, Blind [S2500 Drvblock], 3-55  
 Rivet, Blind, .125d X 0.54 X .25d, Alm, 2-101, 2-102  
 Rivet, Plstc, .250 X 0.898, 3-51  
 Rivet, Plstc, .250d X 0.898, 2-17  
 Rivet, Plstc, .250d X 0.90, 3-57, 3-59  
 Rod, Connecting, M08 X 45, 5-5  
 Rod, Hanger, Isolator, 2-55  
 Rod, Latch, 2-85  
 Rod, Thrd, 2 End, .50-20 04.9l, Rh / Lh, 2-75  
 Rod-End, .25-28rh Fem 0.25b [Teflon], 2-69  
 Rod-End, .50-20lh Fem 0.50-20stud, 2-75  
 Rod-End, .50-20rh Fem 0.50b, 2-75  
 Rod-End, .50-20rh Mal 0.50b, 3-9  
 Rod, 2-67  
 Roller, Brg, 2-105, 2-113

## CROSS REFERENCE

### S

- Screen, Oil Pump, W/ Suc Pipe, 5-7  
Screen, Pump, 3-5  
Screen, Vacuum, 2-111  
Screw, Adj, Valve, Hyd, 5-3  
Screw, Btn, M8 X 1.25 X 16, Ss, 3-11  
Screw, Btn, M8 X 1.25 X 20, Blk, 2-93, 2-97, 2-105, 2-113, 3-65  
Screw, Btn, M8 X 1.25 X 25, Ss, 3-7  
Screw, Btn, M8 X 1.25 X 40, Ss, 2-87  
Screw, Cap, Motor, Hyd, 4-5, 4-11  
Screw, Cap, 4-7  
Screw, Flt, .25-20 X 1.00, Al, 2-115  
Screw, Flt, .38-16 X 0.75, Al, 2-51  
Screw, Flt, .38-16 X 1.00, Al, 2-51  
Screw, Flt, .38-16 X 1.50, Al, 2-115  
Screw, Flt, M10 X 1.5 X 25, 10.9, 2-93, 2-97  
Screw, Flt, M8 X 1.25 X 25, 2-21  
Screw, Flt, M8 X 1.25 X 30, Ss, 2-105, 2-113  
Screw, Hex, .25-10 X 0.75, Fmg/a, Ss, 2-111  
Screw, Hex, .25-20 X 0.50, 5, 2-23  
Screw, Hex, .25-20 X 0.50, G5, 2-27, 2-33  
Screw, Hex, .25-20 X 0.75, G5, 2-27, 2-33  
Screw, Hex, .25-20 X 1.00, 5, 3-7  
Screw, Hex, .25-20 X 1.00, G5, 2-79  
Screw, Hex, .25-20 X 1.75, Ss, 2-69  
Screw, Hex, .25-20 X 2.25, Ss, 2-69  
Screw, Hex, .31-18 X 1.75, 5, 2-51  
Screw, Hex, .31-18 X 4.50, 5, 2-51  
Screw, Hex, .31-24 X 0.75, NI, 2-69  
Screw, Hex, .38-16 X 0.75, NI, 2-71, 2-73, 3-7  
Screw, Hex, .38-16 X 0.88, G5, 3-67  
Screw, Hex, .38-16 X 1.00, 5, 2-37, 2-69  
Screw, Hex, .38-16 X 1.00, G5, 2-79  
Screw, Hex, .38-16 X 1.25, 5, 2-131  
Screw, Hex, .38-16 X 1.25, G5, 3-57, 3-59  
Screw, Hex, .38-16 X 1.25, NI, 2-69  
Screw, Hex, .38-16 X 1.50, Ss, 3-9  
Screw, Hex, .38-16 X 2.00, Ss, 2-69  
Screw, Hex, .38-16 X 3.00, 5, 2-41  
Screw, Hex, .38-16 X 3.75, 5, 2-41  
Screw, Hex, .50-13 X 1.25, 5, 2-23  
Screw, Hex, .50-13 X 1.50, 5, 2-75  
Screw, Hex, .50-13 X 3.00, Ss18-8, 2-91  
Screw, Hex, .75-10 X 4.00, 5, 2-63  
Screw, Hex, #10-16 X 0.62, Fmg [Ab], 3-61, 3-63  
Screw, Hex, #10-16 X 0.62, Fmg, [Ab], 2-19  
Screw, Hex, #10-24 X 0.50, Ss, 2-51  
Screw, Hex, M07-1.00 X 23.0, 8.8, 2-23  
Screw, Hex, M10 X 1.5 X 16, 8.8, 2-17  
Screw, Hex, M10 X 1.5 X 20, 8.8, 2-51  
Screw, Hex, M10 X 1.5 X 25, 8.8, 2-9, 2-23  
Screw, Hex, M10 X 1.5 X 25, Ss, 2-75, 2-95, 2-99  
Screw, Hex, M10 X 1.5 X 30, 8.8, 3-49  
Screw, Hex, M10 X 1.5 X 30, Ss, 2-7, 2-101, 3-11, 3-67  
Screw, Hex, M10 X 1.5 X 35, 8.8, 2-53, 2-55  
Screw, Hex, M10 X 1.5 X 35, Ss (Disk Scrub Head), 2-7  
Screw, Hex, M10 X 1.5 X 45, 8.8, 3-67  
Screw, Hex, M10 X 1.5 X 80, 8.8, 3-67  
Screw, Hex, M10 X 1.50 X 20, 8.8, 2-55  
Screw, Hex, M10 X 1.50 X 25, Ss, 3-68  
Screw, Hex, M10 X 1.50 X 30, 8.8, 3-68  
Screw, Hex, M10 X 1.50 X 45, 8.8, 3-68  
Screw, Hex, M12 X 1.75 X 30, 8.8, 3-9  
Screw, Hex, M12 X 1.75 X 30, Ss, 2-85  
Screw, Hex, M12 X 1.75 X 40, 8.8, 2-65, 2-75, 2-81  
Screw, Hex, M12 X 1.75 X 40, Ss, 2-85  
Screw, Hex, M12 X 1.75 X 50, 8.8, 2-7  
Screw, Hex, M12 X 1.75 X 55, Ss, 2-85, 2-95, 2-99  
Screw, Hex, M12 X 1.75 X 60, 8.8, 2-23, 2-81  
Screw, Hex, M16 X 2.0 X 90, 8.8, 2-19  
Screw, Hex, M4 X 0.7 X 12, 8.8, 3-19  
Screw, Hex, M4 X 0.7 X 20, 8.8, 3-57, 3-59  
Screw, Hex, M5 X 0.8 X 10, Fmg, 2-75, 3-67  
Screw, Hex, M5 X 0.8 X 12, Ss, 3-11  
Screw, Hex, M5 X 0.8 X 16, Fmg, 3-51  
Screw, Hex, M5 X 0.8 X 20, 8.8, 2-15, 2-69  
Screw, Hex, M6 X 1.0 X 12, Fmg, 2-57, 2-133  
Screw, Hex, M6 X 1.0 X 12, Ss, 3-65  
Screw, Hex, M6 X 1.0 X 16, 8.8, 2-19, 2-25, 2-29, 2-57, 2-61, 2-67  
Screw, Hex, M6 X 1.0 X 16, Fmg, 2-67, 2-69, 2-77, 2-81, 3-17, 3-19  
Screw, Hex, M6 X 1.0 X 20, 8.8, 2-15, 2-43, 2-45, 2-47, 2-57  
Screw, Hex, M6 X 1.0 X 20, 9.8, Sems, 2-58  
Screw, Hex, M6 X 1.0 X 20, Ss, 2-53, 2-55, 2-77, 2-81, 2-85, 2-107, 2-109, 2-111, 3-3  
Screw, Hex, M6 X 1.0 X 25, Ss, 2-85, 2-95, 2-99  
Screw, Hex, M6 X 1.0 X 50, 8.8, 2-39  
Screw, Hex, M6 X 1.0 X 55, Ss, 2-79, 2-111  
Screw, Hex, M6 X 1.0 X 60, 8.8, 2-67  
Screw, Hex, M6 X 1.00 X 12, Ss, 2-102  
Screw, Hex, M6 X 1.00 X 16, 8.8, 2-9, 2-27, 2-33, 2-35  
Screw, Hex, M6 X 1.00 X 16, Ss, 3-31  
Screw, Hex, M6 X 1.00 X 20, 9.8, Sems, 2-17, 2-19  
Screw, Hex, M6 X 1.00 X 25, 9.8 Sems, 2-13, 2-45, 2-49  
Screw, Hex, M6 X 1.00 X 25, Ss, 2-111  
Screw, Hex, M6 X 1.00 X 35, 8.8, 2-27, 2-33  
Screw, Hex, M8 X 1.25 X 100, 8.8, 3-13  
Screw, Hex, M8 X 1.25 X 110, Ss, 2-89  
Screw, Hex, M8 X 1.25 X 130, 8.8, 2-71, 2-73  
Screw, Hex, M8 X 1.25 X 16, 8.8, 2-51, 2-111, 3-9  
Screw, Hex, M8 X 1.25 X 16, Ss, 2-71, 2-73  
Screw, Hex, M8 X 1.25 X 20, 8.8, 2-9, 2-15, 2-19, 2-21, 2-37, 2-39, 2-41, 2-43, 2-45, 2-47, 2-49, 2-51, 2-63, 2-67, 2-115  
Screw, Hex, M8 X 1.25 X 20, Ss, 2-7, 2-9, 2-15, 2-21, 2-57, 2-75, 2-77, 2-81, 2-85, 2-95, 2-99, 2-101, 2-105, 2-111, 2-113, 2-115, 2-137, 3-3, 3-5, 3-19, 3-31, 3-41, 3-43, 3-45, 3-57, 3-61, 3-63  
Screw, Hex, M8 X 1.25 X 25, 8.8, 2-7, 2-9, 2-37, 2-39, 2-41, 2-43, 2-45, 2-47, 2-49, 2-57, 2-105, 2-113, 2-133, 2-135  
Screw, Hex, M8 X 1.25 X 25, 9.8, Sems, 2-61  
Screw, Hex, M8 X 1.25 X 25, Fmg, 2-77, 3-19, 3-23, 3-27, 3-35, 3-39  
Screw, Hex, M8 X 1.25 X 25, Ss, 2-69, 2-81, 2-85, 2-87, 2-101, 2-105, 2-109, 2-113, 3-7, 3-9, 3-13  
Screw, Hex, M8 X 1.25 X 30, 8.8, 2-105, 2-113  
Screw, Hex, M8 X 1.25 X 30, Ss, 2-83, 2-85  
Screw, Hex, M8 X 1.25 X 35, 8.8, 2-67, 2-105, 2-113  
Screw, Hex, M8 X 1.25 X 40, Ss, NI, 2-69  
Screw, Hex, M8 X 1.25 X 45, 8.8, 2-37, 2-39  
Screw, Hex, M8 X 1.25 X 45, Ss, 2-53, 2-55, 2-85, 2-91  
Screw, Hex, M8 X 1.25 X 50, 8.8, 2-69  
Screw, Hex, M8 X 1.25 X 50, Ss, 2-79  
Screw, Hex, M8 X 1.25 X 60, 8.8, Fl, 2-9, 2-51  
Screw, Hex, M8 X 1.25 X 60, Fl, 2-75  
Screw, Hex, M8 X 1.25 X 70, 8.8, 2-67  
Screw, Hex, M8 X 1.25 X 70, Ss, 2-83  
Screw, Hex, M8 X 1.25 X 90, 8.8, 2-91  
Screw, Motor, Hyd [En], 4-9, 4-11  
Screw, Pan, #12-16 X 0.50, F/ Plstc, 2-111, 3-69  
Screw, Pan, M4 X 0.7 X 10, Ss, 2-93, 2-97  
Screw, Pan, M4 X 0.7 X 16, 4.8, 2-21  
Screw, Pan, M4 X 0.7 X 16, Ss, 2-21, 3-3  
Screw, Pan, M4 X 0.7 X 25, 4.8, 2-15  
Screw, Pan, M4 X 0.7 X 25, Ss, NI, 2-3  
Screw, Pan, M4 X 0.7 X 35, Ss, 2-3, 2-69  
Screw, Pan, M4 X 0.7 X 16, 4.8, 2-57  
Screw, Pan, M4 X 0.70 X 20, 4.8, 2-7  
Screw, Pan, M5 X 0.8 X 12, Ss, 2-15, 2-21, 2-41, 2-107, 3-17, 3-23, 3-27, 3-65  
Screw, Pan, M5 X 0.8 X 40, 4.8, 2-25, 2-29  
Screw, Pan, M5 X 0.8 X 40, Ss, 2-71, 2-73, 3-17  
Screw, Pan, M5 X 0.80 X 45, 4.8, 3-57, 3-61  
Screw, Pan, M6 X 1.0 X 12, Ss, NI, 2-87

- Screw, Pan, M6 X 1.0 X 16, Ss, 2-83, 3-57, 3-59
- Screw, Pan, M6 X 1.0 X 25, Ss, 2-87
- Screw, Pan, M6 X 1.0 X 35, Ss, 2-3, 2-5
- Screw, Pan, M6 X 1.0 X 40, Ss, 2-3
- Screw, Pan, M6 X 1.00 X 16, 4.8, 2-51
- Screw, Pan, M8 X 1.25 X 25, Blk, 2-9, 2-13, 2-17
- Screw, Pan, M8 X 1.25 X 25, Ss, 2-85
- Screw, Pan, Phl, 06-20 X 0.50, Fmg/Ab, 2-101, 2-102
- Screw, Pan, Phl, 12-16 X 0.50, F/ Plstc, 2-101, 2-102
- Screw, Pan, Phl, M5 X 0.80 X 12, Ss, 3-31, 3-35, 3-39
- Screw, Pan, Phl, M5 X 0.80 X 20, Ss, 3-41, 3-43, 3-45, 3-46, 3-47
- Screw, Pan, Phl, M6 X 1.00 X 35, Ss, 2-5
- Screw, Set, M6 X 1.00 X 40, Ss [Cuppt], 3-55
- Screw, Soc, .25-20 X 0.75, Al, 2-17
- Screw, Soc, .38-16 X 1.50, Al, 2-23
- Screw, Soc, .50-13 X 1.50, Al, 2-63
- Screw, Soc, M12 X 1.75 X 55, 10.9, 2-23
- Screw, Soc, M16 X 2.0 X 50, 12.9, 2-63
- Screw, Soc, M6 X 1.0 X 25, 12.9, 2-25
- Screw, Soc, M6 X 1.0 X 45, 12.9, 2-25
- Screw, Soc, M6 X 1.00 X 25, 12.9, 2-27, 2-33
- Screw, Soc, M6 X 1.00 X 45, 12.9, 2-27
- Screw, Soc, M8 X 1.25 X 25, 12.9, 2-95, 2-99
- Screw, Soc, M8 X 1.25 X 35, 12.9, 2-95, 2-99
- Screw, Soc, M8 X 1.25 X 70, 12.9, 2-33
- Screw, Valve, Steering, 4-19
- Screw, 2-35, 4-8
- Seal Kit, Cartridge, 4-13, 4-15, 4-17
- Seal Kit, Motor [CI], 4-9, 4-11
- Seal Kit, Pump, Hyd, 4-7
- Seal Kit, Steering [CI], 4-19
- Seal Replmt Kit, 4-8
- Seal, Afmkt, Bulb, 90, 0.50d, 02ft, 2-15
- Seal, Afmkt, Bulb, 90, 0.75d F/11ga 02ft, 2-15, 2-21
- Seal, Afmkt, Bulb, 90, 0.75d F/11ga 08ft, 2-9
- Seal, Afmkt, Bulb, Str, 1.0d F/11ga 08ft, 2-19
- Seal, Afmkt, Sponge, 0.88 1.00w 08ft, 2-19
- Seal, Bulb, Str, .50Hi .50W 047.2L, Adh, 2-101, 2-102
- Seal, Drive, Rear, Grease Cav, 2-63
- Seal, Foam, 0.50, 2-9
- Seal, Oil, Cshft, 5-5
- Seal, Org, .069 X 3.06id, 2-131
- Seal, Org, .072 X 00.35id #04, 4-15
- Seal, Org, .078 X 00.47id #06, 4-13, 4-15
- Seal, Org, .078 X 00.47id 06, 4-17
- Seal, Org, .087 X 00.64id #08, 4-15
- Seal, Org, Bolt, Cover, Camshaft Hsng, 5-11
- Seal, Org, Cap, Fitr, Oil, 5-8
- Seal, Org, Cap, 5-3
- Seal, Org, Hsng, Oil Pump, 5-7
- Seal, Org, Oil Pump, 5-7
- Seal, Org, Press Switch / Drain Plug, 5-7, 5-8
- Seal, Org, Sensor, Temp [Epr], 2-35
- Seal, Org, Throttle Body, 2-29
- Seal, Org, Water Pump, 5-7
- Seal, Org, 2-29
- Seal, Panl, Instmt, 2-9
- Seal, Plug, Drain [Nitrile], 2-111
- Seal, Radiator, Upper, 2-61
- Seal, Radiator, 2-57
- Seal, Rbr, Clsd, 0.13, Instmt Panl, 2-13
- Seal, Ring, Pipe, Suc, Oil Pump, 5-7
- Seal, Seat, Valve, 5-3
- Seal, Shaft, Drain Plug, 2-111
- Seal, Wiper, 2-85
- Seal, Wire, 14/16ga [Wp / Mp280 Sealed], 4-21
- Sealant, Tube, Ds, 5-8
- Seat, Rotator, Valve, 5-3
- Seat, Spring, Valve, 0.333, 5-3
- Seat, Spring, Valve, 5-3
- Seat, Suspension, W/1 Arm And Belt, 2-15
- Seat, Valve, Exhaust, [+0.2mm], 5-3
- Seat, Valve, Exhaust, [+0.4mm], 5-3
- Seat, Valve, Exhaust, Std, 5-3
- Seat, Valve, Intake, [+0.2mm], 5-3
- Seat, Valve, Intake, [+0.4mm], 5-3
- Seat, Valve, Intake, Std, 5-3
- Send-Unit, Fuel [2007], 2-39
- Send-Unit, Fuel, 2-37
- Send-Unit, Water, Temp, 04npt 113oh/195d, 2-135
- Sensor [T Map], 2-27, 2-33
- Sensor [Tmap], 2-25, 2-29
- Sensor, Exhaust, Tailpipe, 2-55
- Sensor, Level, Liq, 14vdc 01a .62-11, 2-102, 2-111, 3-5
- Sensor, Oxygen [Gm 1.6L/3.0L 2007], 2-55
- Sensor, Oxygen, 2-53
- Sensor, Position, Cshft, 2-23, 5-7
- Sensor, Spd / Dir, 6-30vdc, 2-69
- Sensor, Temp [Epr], 2-35
- Sensor, Temp, Coolant, 2-23
- Sensor, Temp, Water [Rework For 1.6GM], 2-23
- Shaft Wldt, Arm, Lift, 2-83
- Shaft Wldt, Brake, 2-67
- Shaft Wldt, Pedal, Brake, 2-67
- Shaft, Brush, Idler, 2-71, 2-73
- Shaft, Motor, Hyd, 4-5
- Shaft, Output, Motor, Hyd [En], 4-9
- Shaft, Output, Motor, Hyd, 4-11
- Shaft, Output, 4-8
- Shaft, Pump, Water, 4-3
- Shaft, Pump, 4-7
- Sheave, 5.00dia [Gm1.6l 2007], 2-51
- Sheave, Cshft, 5-5
- Shield Kit, Debris, Replmt [T20], 2-85
- Shield Kit, Side, Replmt [T20], 2-93, 2-97
- Shield Wldt, Switch, Float, 2-111
- Shield, Heat, Gas/Lpg, Replmt (Japan Only), 2-55
- Shield, Heat, Gas/Lpg, Replmt, 2-55
- Shield, Manifold, Exhaust, 5-9
- Shield, Starter [1.6l], 2-23
- Shield, Tray, Debris [Trimmed], 2-85
- Shim Kit, 4-7
- Shim, Washer, 0.88d 0.51b .020, 2-115
- Shim, Washer, 0.88d 0.51b .060, 2-115
- Shock Absorber, 2.3 Strk, 2-69
- Shoe, Brake, 180 X 30mm, 2-65
- Shoe, Plstc, Sqge, 14.0, 3-51
- Shroud Assy, Eng, 2-21
- Shroud, Front, Trimmed, 2-19
- Shroud, Seat, 2-15
- Skirt, Debris, Eng Radiator, 2-57
- Skirt, Front, Disk Head, 1-1, 2-81
- Skirt, Neo, .06, 06.85w 27.95l, 08 Hole, 1-1
- Skirt, Neo, .06, 07.63w 51.52l, 11 Hole, 2-77
- Skirt, Neo, .06, 12.00w 45.88l, 07 Hole, 1-1, 2-77
- Skirt, Neo, .18, 10.37w 27.95l, 12 H&S, 1-1
- Sleeve, 0.31b 0.50d 0.3l, Ss, 2-95, 2-99, 2-111
- Sleeve, 0.49b 0.68d 1.2l [304ss], 2-85, 2-95, 2-99
- Sleeve, Dashpo, Pump, Hyd, Gear, 4-5
- Sleeve, Flng, 0.48b 1.25/0.88d 0.6l, Stl, 2-85
- Sleeve, Nyl, #37 05.0l, 2-63
- Sleeve, P/M, 0.31B 0.44D 1.2L [430Ss], 2-87
- Sleeve, P/M, 0.31b 0.50d 0.3l [430ss], 2-105, 2-113
- Sleeve, P/M, 0.31b 0.50d 0.7l [430ss], 2-89, 2-105, 2-113
- Sleeve, P/M, 0.31b 0.50d 0.9l [430ss], 2-53, 2-55, 2-71, 2-73, 2-79
- Sleeve, P/M, 0.34b 0.63d 0.6l, Bnz, 2-91
- Sleeve, P/M, 0.34b 0.63d 1.2l, Bnz, 2-89
- Sleeve, P/M, 0.37b 0.50d 0.6l [430ss], 3-9
- Sleeve, P/M, 0.43b 1.00d 1.0l, Stl, 2-37
- Sleeve, P/M, 0.47b 0.75d 0.5l [430ss], 2-75, 2-81
- Sleeve, Pump, Water, 4-3
- Sleeve, Rbr, 3.50b 3.58d 1.8l, 3-5
- Sleeve, Throttle, Plstc [Bosch], 2-29
- Solenoid, #10, 12vdc, 4-13, 4-15, 4-17
- Solenoid, #8, 12vdc, 4-13, 4-15, 4-17
- Solenoid, 12v, Valve, Hyd [Cec], 4-10
- Spacer Plate, 4-8
- Spacer, Fan, Taper [2007], 2-51
- Spacer, Fan, 2-51
- Spacer, Hub, Keyed, 2-79, 3-7
- Spacer, Plstc, Ny, 2-15
- Spacer, Rlr, 2-85
- Spacer, Sppt, Fitr Lock Off, 2-29
- Spacer, Strap, Adj, Alternator, 2-51
- Spacer, Valve, Steering, 4-19

## CROSS REFERENCE

Spacer, 2-79, 3-7  
Sparkplug [Gm ], 1-1  
Sparkplug, 5-12  
Spool, Pilot, Hyd, 4-13, 4-15, 4-17  
Spring Kit, Flat, Replmt [T20], 2-83  
Spring Kit, Scu [CI], 4-19  
Spring, Cmpr, 0.97od .11wir 2.5l, 2-85  
Spring, Cmpr, 0.40od .04wir 00.6l, Ss, 3-55  
Spring, Cmpr, 0.42od .06wir 1.50l, 2-79  
Spring, Cmpr, 0.9od .042wir 02.0l, 2-89  
Spring, Cmpr, 18.8d, 1.6w, 57.1l, 2-17  
Spring, Dsl, 1.00od 0.50id 1.7l, 2-91  
Spring, Extn, 0.75od X 0.09wir, 2.5l, 2-95, 2-99  
Spring, Extn, 0.75od X 0.12wir, 4.3l, 2-69  
Spring, Extn, 1.69od X 0.20wir, 9.5l, 2-83  
Spring, Extn, 1.68od X .203wir, 7.5l, 2-75  
Spring, Flat, .06 X 4.13 X 6.5l 4 Hole, 2-83  
Spring, Flat, Retainer, Screen, 2-87  
Spring, Keeper, 2-91  
Spring, Motor, Hyd, 4-5  
Spring, Tors, 0.75id .06wir 02.8coil, 2-67  
Spring, Tors, 1.13id .12wir 02.3coil Rh, 2-67  
Spring, Valve, Relief, Oil Press, 5-7  
Spring, Valve, 5-3  
Spring, Wir, 0.08d, Brake, Parking, 2-67  
Spring, Wir, 0.16d, Brush Retaining [T5], 2-3  
Spring, Wir, 0.16d, Brush Retaining, 2-3, 2-5  
Spring, Wir, 0.25d, Return, Brake, 2-65  
Spring, 4-5  
Sprocket, Camshaft, 5-11  
Sprocket, Crankshaft, 5-11  
Squeegee Assy, Sba, Linatex, 1-1, 3-7  
Squeegee Assy, Sba, Ure, 1-1, 3-7  
Squeegee Kit, Rear, Replmt [M20/T20], 2-89  
Squeegee Wldt, Rear, 2-89  
Starter, 12vdc [Delco] (Mar. 2006 and Newer), 5-5  
Starter, 12vdc [Gm] (Before Mar. 2006), 5-5  
Steer-Control, Hyd#05, 06.1 2030 (See Breakdown), 2-17  
Steer-Control, Hyd05, 06.1 2030, 4-19  
Stem, Valve, Hyd [4w2p], 4-17  
Stem, Valve, Hyd, 4w2p, 4-13, 4-15  
Stem, Valve, Hyd, 4-13, 4-15, 4-17  
Stop, Rotation, 2-91  
Strainer Wldt, Trough, Debris 4.3w 15.L, 2-87  
Strainer, Hyd, 25gpm 100mesh Psi, 2-135  
Strainer, Hyd, 25 Gpm 100 Mesh, 1-1  
Strainer, Soltn, 20 Mesh, Cyl 3.5d 9.5l, 3-5  
Strap, Adj, Alternator, 2-51  
Strap, Mtg, Tank, Lpg, Hinge, 2-41  
Strap, Mtg, Tank, Lpg, 2-41  
Strap, Rbr, 13.2l [2/S Hooks], 3-57, 3-59

Strap, Rbr, Tie-Down, 2/Hooks 19.0l, 2-61  
Strap, Sppt, 2-69  
Strap, Static, .19 1.1w 25.0l W/ Grommet, 2-85  
Strap, Static, W/Grommet, .19 1.1w 25.0l (Disk Scrub Head), 2-7  
Strap, Tank, Gas, 2-37, 2-39  
Strip Mtg, Seal, 2-19  
Strip, Non-Slip, 0.50w 06.0l, 2-89  
Stud, .31-18 2.75l M8 X 1.25, Ss, 2-89  
Stud, Ball, .39d .31-16, Gasspring, 2-15  
Stud, M10 X 1.50 [35], 2-51, 2-53, 2-55  
Stud, Manifold, M8 X 28, 5-9  
Stud, Manifold, M8 X 96, 5-9  
Stud, Starter, M08 X 1.25, 5-5  
Stud, Wheel, .50-20 X 1.50l, 0.370th, 2-63  
Support Wldt, Sqge, Lh Rear, 3-67  
Support Wldt, Sqge, Rh Rear, 3-67  
Switch Assy, Press, 3.0, 19.5l Tube, 3-5  
Switch Kit, Pump, Repair,, 4-21  
Switch, Ignition [Ku], 2-13  
Switch, Indicator, Oil Press, 2-23, 5-7  
Switch, Press, 0006psi Dpdt, 2-23  
Switch, Press, 10psi, Spst, 3-17  
Switch, Press, 12vdc 08a Spst Nc 0070psi, 2-41  
Switch, Rocker, Dpdt On/Off/On, 2-13  
Switch, Rocker, Dpdt, On / None / On, 3-57, 3-61

## T

Tank Kit, Soltn, W/ Bracket, Replmt, 2-101  
Tank, Coolant, 04.7 03.3 4.7deep, 1liter, 2-57  
Tank, Detgt, Trimmed, 3-5  
Tank, Fuel, 11.26Gal, gas, Replmt, 2-37  
Tank, Fuel, 11.2gal, Gas, Replmt [2007], 2-39  
Tank, Lpg, 33lb, W/ Gauge [Empty, Liq], 2-41  
Tank, Recvy, Trimmed, 2-111  
Tank, Soltn, W/ Es [T20], 2-101  
Tank, Soltn, W/ Label, 2-101  
Terminal, Bullet, Mal, .157d, 12ga, 3-43, 3-45, 3-46, 3-47  
Terminal, Fem, Mp280, Sealed, 18-16ga, 4-21  
Thermostat, W/ Hsng And Seal, 5-3  
Thrust Bearing, 4-8  
Tie, Cable, 6.0l, 1.25d Max, 3-46, 3-47  
Tie, Cable, 11.3l, 2.75d Max, 3-17  
Tie, Cable, Nyl, 07.3l .19w 1.8 Max D, 2-13, 2-25, 2-27, 2-63, 3-17, 3-46, 3-47  
Tie, Cable, Nyl, 15.3l . W 4.5 Max D, 3-17, 3-23, 3-35  
Tire Assy, Solid, 16.0x3.5, W/ Brg [Ni], 2-65  
Tire Assy, Solid, 18.0X6.0 4.5BC/5Bolt, 2-63  
Tire Assy, Solid, 18.0x6.0 4.5bc/5bolt, 1-1  
Tire, Non-Skid, 18.0X6.0X12.10, 2-63

Tire, Solid, 16.0 X 3.5 X 12.1 [Nitrile], 2-65  
Transport Kit, Ci [T20], 3-65  
Tray Kit, Debris, Replmt [T20], 2-87  
Tray Wldt, Fuel, 2-37, 2-39  
Tray Wldt, Lpg, 2-41  
Tray, Debris, Trimmed, 2-87  
Tray, 3-57, 3-59  
Tread, Non-Skid, 01.9w 08.0l, 2-7  
Tread, Non-Skid, 02.2w 11.5l, 3-11  
Tread, Non-Skid, 03.0w 11.6l, 2-7, 2-9, 2-68  
Tube [Pcv], 5-3  
Tube Assy, Plug, Drain, 2-111  
Tube Kit, Tank, Recvy, Replmt, 2-113  
Tube Kit, Tank, Soltn, Replmt, 2-105  
Tube Wldt, Exhaust, 1.6d, 2 Flng, 2-55  
Tube Wldt, Exhaust, Gas/Lpg, 2-53  
Tube Wldt, Leg, Ohg, Lh, Pntd, 3-49  
Tube Wldt, Leg, Ohg, Rh, Pntd, 3-49  
Tube Wldt, Plug, Drain, 2-111  
Tube Wldt, Tee, 2-43, 2-45, 2-47, 2-49  
Tube Wldt, Torque, 2-75, 2-81  
Tube Wldt, Vacuum, 2-87  
Tube, 0.50d 0.32b 00.4l, Ss, 2-105, 2-113  
Tube, 00.38d 00.26b 00.3l Stl Plt, 2-69  
Tube, 00.50d 00.38b 00.6l Stl, 2-69  
Tube, Air Bleed, .62d 2.2l .12npt Alm, 2-25, 2-30  
Tube, Bleed, Air, .62od 2.2l .12npt, Alm, 2-27, 2-35  
Tube, Coolant, Lower, 1.3d, 2-57  
Tube, Distribution, Water, 2-107  
Tube, Ds, 5-8  
Tube, Exhaust, 1.5d, 2-53  
Tube, Exhaust, Flng, 1.5d [M20/T20 2007], 2-55  
Tube, Hyd, 08 Jf08/Jf08, 3-13  
Tube, Hyd, 08 Jf08/Jm08, 2-71  
Tube, Hyd, Brush Return, 2-73  
Tube, Hyd, Main Return [M20], 2-133  
Tube, Hyd, Sqge, 2-133  
Tube, Pvc, Clr, 4.0l [Shc80], 3-21, 3-23, 3-25, 3-27  
Tube, Rnd, 1.75d 0.77b 01.1l, Stl, Pntd, 2-63  
Tube, Rnd, 3.00d 2.90b 02.0l, Ss, 2-105, 2-113  
Tube, Vacuum, 2-7  
Tube, Vinyl, Pump, Water, 4-3  
Tube, Wand, Vacuum, Metal [1pick=1box], 3-51  
Tubing Connctr.Kit, Gorman Pmp, 4-20

## U

Upper Hsg Kit, Pump, Repair,, 4-21

**V**

Valve Assy, Relief [CI], 4-19  
 Valve Assy, Water, Solenoid , 12vdc, 2-107, 2-109  
 Valve Assy, Water, Solenoid, 12vdc, 3-11  
 Valve Kit, Poppet, Gorman Rupp, 4-20  
 Valve Stem, N.O.Valve, Hyd, 4-10  
 Valve, Ball, 04pf, Chm W/ Handle, 2-37  
 Valve, Body, Throttle, Lpg, 2-30  
 Valve, By-Pass, Oil Fltr, 5-8  
 Valve, Check, 0002psi [Fast li+], 4-22  
 Valve, Check, 0002psi Bm04/Bm04, 3-19  
 Valve, Check, 0005psi [Fast li+], 4-22  
 Valve, Check, 0005psi Bm06/Bm08, 3-31  
 Valve, Check, Pump, Water, 4-3  
 Valve, Check, 2-29, 4-13, 4-15, 4-17  
 Valve, Cntrl, Hyd (See Breakdowns), 2-137  
 Valve, Cntrl, Hyd [M20 And T20] (See Breakdown), 3-13  
 Valve, Cntrl, Hyd [M20 And T20], 4-13  
 Valve, Cntrl, Hyd, Solenoid, 03/16gpm, 4-17  
 Valve, Cntrl, Hyd, 4-15  
 Valve, Cntrl, Water, 3-55  
 Valve, Exhaust, 5-3  
 Valve, Fuelock, Lpg, Wire Connector, 2-29  
 Valve, Hyd Cartridge 10no/-0, 4-10  
 Valve, Hyd, Check, Jm08/Om08 5000psi, 3-13  
 Valve, Hyd, Solenoid 12vdc 3000psi (See Breakdown), 3-13  
 Valve, Intake, 5-3  
 Valve, Lock Off, 2-35  
 Valve, Lpg, Press Relief [Rego], 2-41  
 Valve, Motor, Hyd, 4-5  
 Valve, Relief, 3000 Psi, 4-7  
 Valve, Relief, 4000 Psi, 4-7  
 Valve, Relief, Oil Press, 5-7  
 Valve, Relief, 4-13, 4-15, 4-17  
 Valve, Shutoff, 3-61, 3-63  
 Valve, Solenoid, 12vdc, Water Flow, 3-23, 3-35  
 Valve, Solenoid, Water Flow, 12vdc, 3-27  
 Valve, Stem, No, 4-13, 4-15, 4-17  
 Valve, Trim, Fuel, Normal Flow, 2-30  
 Valve, Water, 12vdc, 6.0mm, 04pf, 3-17  
 Valve, Water, Solenoid, 12vdc 0.08pf, 3-3  
 Valve, Water, Solenoid, 12vdc 6.0mm Pf04, 3-31  
 Valve, Water, Solenoid, 12vdc Bm10/Bm10, 3-39  
 Video, Oprtr, Dvd [W/Checklist T20], 3-70  
 Vr, Filter, Screen, 50 Mesh .59d .8l Ss, 3-17

**W**

Wand Assy, Power, 3-55  
 Wand Kit, Vac, Sqge, Ci [T20], 3-51  
 Wand, Dbl Bend, 38.1mmd, 3-55  
 Washer, Belleville, .31, 2-69  
 Washer, Flat, .78b 1.75d .18, Ss, 2-111

Washer, Flat, #06, 2-57, 3-51, 3-57, 3-59  
 Washer, Flat, #08, Ss, 2-3  
 Washer, Flat, #08, 2-15  
 Washer, Flat, #10 Ss, 2-69  
 Washer, Flat, #10, Ss, 2-25, 2-29, 3-3, 3-17, 3-23, 3-27, 3-61, 3-63  
 Washer, Flat, #10, 2-15, 2-21, 2-51, 2-61, 3-57, 3-61  
 Washer, Flat, 0.25 Fendr, 2-15, 2-21  
 Washer, Flat, 0.25 Sae, 2-15, 2-17, 2-25, 2-29, 2-37, 2-43, 2-47, 2-53, 2-57  
 Washer, Flat, 0.25 Std, 2-23, 2-57, 2-61, 2-67, 2-69, 3-17, 3-19  
 Washer, Flat, 0.25, Fendr, 2-58  
 Washer, Flat, 0.25, Sae, 2-27, 2-33, 2-39, 2-55  
 Washer, Flat, 0.25, Ss, 2-5, 2-77, 2-79, 2-81, 2-85, 2-87, 2-107, 2-109, 2-111, 3-3, 3-65  
 Washer, Flat, 0.25, Std, 2-9, 2-27, 2-33, 2-35  
 Washer, Flat, 0.27B 0.69D .05, Ss, 3-31  
 Washer, Flat, 0.27b 0.69d .05, Ss, 2-5, 2-102  
 Washer, Flat, 0.31 Sae, 2-9, 2-51, 2-63, 2-69, 2-95, 2-99  
 Washer, Flat, 0.31 Std, 2-69, 2-135  
 Washer, Flat, 0.31, Hardened, 2-51  
 Washer, Flat, 0.31, Sae, 2-87, 2-105, 2-113  
 Washer, Flat, 0.31, Ss, 2-53, 2-57, 2-77, 2-79, 2-83, 2-85, 2-89, 2-91, 2-95, 2-99, 3-3, 3-7, 3-9  
 Washer, Flat, 0.31, Std, 2-7, 2-9, 2-15, 2-17, 2-19, 2-21, 2-37, 2-39, 2-41, 2-43, 2-45, 2-47, 2-49, 2-51, 2-55, 2-57, 2-63, 2-67, 2-71, 2-73, 2-75, 2-81, 2-83, 2-101, 2-105, 2-109, 2-111, 2-113, 2-133, 3-9, 3-11, 3-13, 3-49, 3-57, 3-61, 3-65  
 Washer, Flat, 0.32b 1.00d .12, Ss, 2-9, 2-15, 2-21, 2-85, 2-87, 2-101, 2-105, 2-111, 2-113, 2-115, 2-137, 3-5, 3-19, 3-31, 3-41, 3-43, 3-45, 3-61, 3-63  
 Washer, Flat, 0.34b 0.75d .12 [Viton], 3-17  
 Washer, Flat, 0.38 Sae, 2-23, 2-51, 2-69, 2-75, 2-91, 2-131  
 Washer, Flat, 0.38 Std, 2-15, 2-37, 2-41, 2-69, 2-91, 3-7, 3-49  
 Washer, Flat, 0.38, Hardened, 2-23, 2-35  
 Washer, Flat, 0.38, Sae, 2-55  
 Washer, Flat, 0.38, Std (Disk Scrub Head), 2-7  
 Washer, Flat, 0.38, Std, 2-55, 2-79, 2-101, 3-57, 3-59, 3-67, 3-68  
 Washer, Flat, 0.38b 0.88d .08, Ss, 2-55, 2-91  
 Washer, Flat, 0.38b 1.25d .12, Neo, 2-87  
 Washer, Flat, 0.40b 1.12d .12, Ss, 2-57, 2-115, 3-49  
 Washer, Flat, 0.41b 1.25d .12, Pye, 2-15  
 Washer, Flat, 0.44b 1.00d .08, Ss, 2-7, 2-85, 2-87, 3-11, 3-67

Washer, Flat, 0.50 Sae, 2-17, 2-23, 2-57, 2-65, 3-9  
 Washer, Flat, 0.50 Std, 2-23  
 Washer, Flat, 0.50, Std (Disk Scrub Head), 2-7  
 Washer, Flat, 0.50, Std, 2-7, 2-23, 2-85  
 Washer, Flat, 0.53b 1.88d .12, Stl, Pl, 2-9, 2-23, 2-89  
 Washer, Flat, 0.56b 1.38d .11, Ss, 2-75, 2-81, 2-83, 2-95, 2-99  
 Washer, Flat, 0.62 Sae, 2-19  
 Washer, Flat, 0.66b 1.00d .12, Rbr, 3-3, 3-61, 3-63  
 Washer, Flat, 0.69b 1.19d .06, Stl, Pl, 2-91  
 Washer, Flat, 0.75 Sae, 2-63  
 Washer, Flat, 0.76b 1.50d .06, Ss, 2-65  
 Washer, Flat, 0.79b 1.18d .06, Nyl, 2-105, 2-113  
 Washer, Flat, 0.81b 1.06d .06, Stl, 2-57  
 Washer, Flat, 1.15b 1.75d .08, Stl, 2-13  
 Washer, Flat, 1.39b 2.12d .13, Stl, 2-63  
 Washer, Flat, 10, Ss, 3-31, 3-35, 3-39  
 Washer, Flat, 10, 3-41, 3-43, 3-45, 3-46, 3-47  
 Washer, Flat, 2.16b 3.50d .16, Felt, 2-63  
 Washer, Flat, Belleville, .25, 2-85, 2-95, 2-99  
 Washer, Flat, Belleville, .31, 2-51, 2-105, 2-113, 2-115, 3-9  
 Washer, Flat, Belleville, .38, 2-69, 2-95, 2-99  
 Washer, Flat, Belleville, .50, 2-85, 2-95, 2-99  
 Washer, Flat, M21.0b X 37d X 3, 2-65  
 Washer, Flat, Pump, Hyd, 4-7  
 Washer, Lock, Int, #10, Ss, 3-17  
 Washer, Lock, Int, 0.38, 2-51  
 Washer, Lock, Int-Ext, 0.31 (Disk Scrub Head), 2-7  
 Washer, Lock, Int-Ext, 0.31, 2-85  
 Washer, Lock, Int-Ext, 0.38, 2-51  
 Washer, Pump, Hyd [En], 4-7  
 Washer, Rbr, 4-3  
 Washer, Sealing, 0.28b 0.75d Ss, Neo, 2-111  
 Washer, Sheave, Cshft, 5-5  
 Washer, Shld, Nyl [8-32], 2-13  
 Washer, Sprkt, Camshaft, 5-11  
 Washer, Thrust, 0.34b 1.50d .06, 2-105, 2-113  
 Washer, Thrust, 0.61b 1.25d .06, Fgl, 2-91, 2-93, 2-95, 2-97, 2-99, 3-7  
 Washer, Thrust, 1.00b 1.75d 0.13w, Fbr, 3-9  
 Washer, Flat 0.25, Ss, 2-3, 3-57, 3-59  
 Wheel, 06.0d 2.00w 1.19b, Gray Rbr, 2-7, 3-11  
 Wheel, 3.0d 0.87w 0.44b, Rbr, Pp Core, 2-87  
 Wheel, 3.0d 1.38w 0.50b, 1-1, 2-91  
 Wheel, 4.0d 0.89w 0.64b, 2-89  
 Wheel, 41.3d 19.1w, Rbr, 3-55

## CROSS REFERENCE

---

Wheel, Steering, 14.3d 0.81b 36tooth,  
2-17

Wire Set, Sparkplug [1.6], 5-12

Wire, 16ga 09.6l Brown Mp280/ #10ring,  
2-23

Wire, Ground, 2-51





# We Need Your Help...

As part of Tennant's Zero Defects Program, we want to know about errors you have found or suggestions you may have regarding our machine manuals. If you find an error or have a suggestion, please complete this postage-paid form and mail it to us. Thank you for helping us make zero defects a way of life at Tennant.

Manual No. \_\_\_\_\_ Rev. No. \_\_\_\_\_ Publish Date \_\_\_\_\_ Page \_\_\_\_\_

Machine \_\_\_\_\_  Report Error  Suggestion

---

---

---

---

---

---

---

---

---

---

---

---

---

---

---

---

Name \_\_\_\_\_ Date \_\_\_\_\_

Customer Number \_\_\_\_\_

Company \_\_\_\_\_

Address \_\_\_\_\_

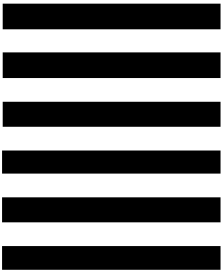
City/State/Zip Code \_\_\_\_\_



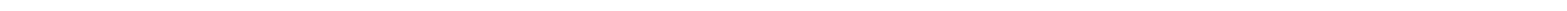
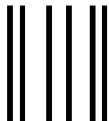
**TENNANT COMPANY**  
 Technical Publications #15  
 701 North Lilac Drive  
 P.O. Box 1452  
 Minneapolis, MN 55440-9947

POSTAGE WILL BE PAID BY ADDRESSEE

**BUSINESS REPLY MAIL**  
 FIRST CLASS MAIL PERMIT NO. 94 MINNEAPOLIS, MN

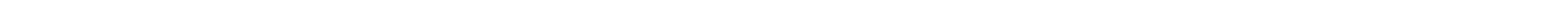


NO POSTAGE  
 NECESSARY  
 IF MAILED  
 IN THE  
 UNITED STATES



Fold along dotted lines

Tape here





# We Need Your Help...

As part of Tennant's Zero Defects Program, we want to know about errors you have found or suggestions you may have regarding our machine manuals. If you find an error or have a suggestion, please complete this postage-paid form and mail it to us. Thank you for helping us make zero defects a way of life at Tennant.

Manual No. \_\_\_\_\_ Rev. No. \_\_\_\_\_ Publish Date \_\_\_\_\_ Page \_\_\_\_\_  
Machine \_\_\_\_\_  Report Error  Suggestion

---

---

---

---

---

---

---

---

---

---

---

---

---

---

---

---

---

---

---

---

---

---

---

---

---

---

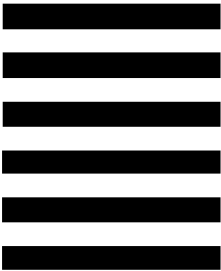
Name \_\_\_\_\_ Date \_\_\_\_\_  
Customer Number \_\_\_\_\_  
Company \_\_\_\_\_  
Address \_\_\_\_\_  
City/State/Zip Code \_\_\_\_\_



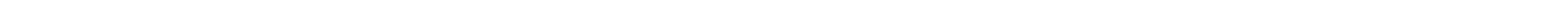
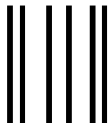
**TENNANT COMPANY**  
 Technical Publications #15  
 701 North Lilac Drive  
 P.O. Box 1452  
 Minneapolis, MN 55440-9947

POSTAGE WILL BE PAID BY ADDRESSEE

**BUSINESS REPLY MAIL**  
 FIRST CLASS MAIL PERMIT NO. 94 MINNEAPOLIS, MN



NO POSTAGE  
 NECESSARY  
 IF MAILED  
 IN THE  
 UNITED STATES



Fold along dotted lines

Tape here

